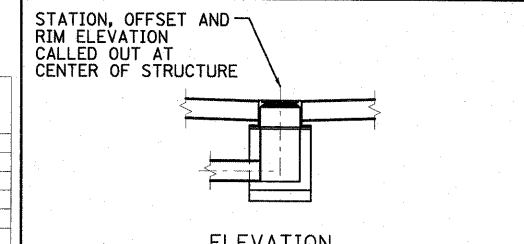
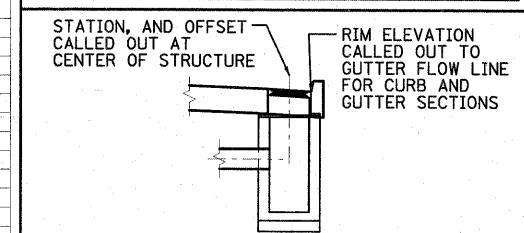


IL-50 DRAINAGE STRUCTURE SCHEDULE OF QUANTITIES

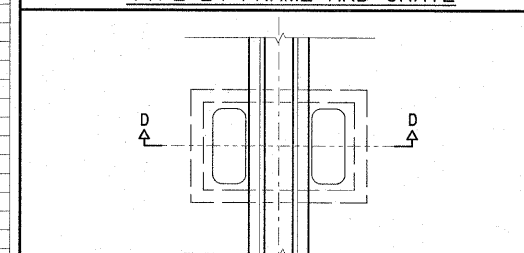
STR. NUM.	STATION	OFFSET	RIM ELEV.	N	NE	NW	S	SW	SE	E	W	PRC FLAR END SEC 12 EACH	PRC FLAR END SEC 15 EACH	PRC FLAR END SEC 24 EACH	CB TA 4 DIA T24F&G EACH	CB TA 4 DIA T1F OL EACH	MAN TA 4 DIA T1F CL EACH	INLETS TA T1F OL EACH	INLETS TA T24F&G EACH	INLETS TB T1F OL EACH	INLETS TB T24F&G EACH	COMMENTS											
7	1306+35.7	1.8 RT	684.63				679.74																										
8	1305+50.0	4.5 RT	684.55	679.33						678.83											1												
9	1305+50.0	67.2 RT	683.02							678.51	678.51										1												
10	1305+43.9	73.3 RT	682.98							678.49	678.49																						
11	1305+27.3	122.9 RT	N/A			678.21						1				1																	
12	1303+50.0	0.0 LT	681.47							678.25											1												
13	1303+50.0	64.2 RT	681.48						677.95	677.45					1																		
14	1303+50.0	89.4 RT	N/A								677.30																						
15	1301+50.0	0.0 LT	681.53							676.56											1												
16	1301+50.0	50.5 RT	680.18						676.32	675.82					1																		
17	1301+50.0	76.7 RT	N/A								675.67																						
18	1299+50.0	48.2 LT	678.66							675.00																							
19	1299+50.0	0.0 LT	679.97							674.88	674.88									1													
20	1299+50.0	49.0 RT	678.66							674.65	674.65										1												
21	1299+50.0	75.7 RT	N/A							674.42	674.42																						
22	1298+00.0	48.2 LT	677.50							673.50																							
23	1298+00.0	0.0 LT	678.81							673.38	673.38										1												
24	1298+00.0	49.0 RT	677.50							673.15	673.15																						
25	1298+00.0	75.7 RT	N/A							672.92	672.92																						
30	1305+50.0	65.0 LT	683.38								679.00																						
31	1305+47.1	73.8 LT	N/A							679.07	679.07																						
32	1303+50.0	52.2 LT	681.78								676.80																						
33	1303+50.0	70.0 LT	N/A							676.68	676.68																						
34	1301+50.0	49.0 LT	680.22								675.60																						
35	1301+50.0	60.8 LT	N/A							675.52	675.52																						
50	1309+70.0	55.0 RT	686.12								681.95																						
51	1309+64.4	60.6 RT	686.00			681.93	681.93																										
52	1307+95.8	9.0 RT	685.97							681.37	681.37																						
53	1307+95.9	55.0 RT	685.19		681.16					681.16	681.16																						
54	1308+01.5	60.6 RT	685.07	681.14					681.14	681.14	681.14																						
55	1308+01.5	85.2 RT	N/A								681.00																						
60	1309+69.8	55.0 LT	686.12								680.19																						
61	1309+69.8	63.3 LT	685.63				680.17			680.17	680.17																						
62	1306+80.0	55.0 LT	684.34								679.90																						
63	1306+80.0	63.0 LT	684.00	679.88						679.88	679.88																						
64	1307+95.7	55.0 LT	685.19								679.34																						
65	1307+95.7	63.3 LT	684.70	679.32			679.32			679.32	679.32																						
66	1307+95.7	84.2 LT	N/A							679.20	679.20																						
67	1316+82.9	2.5 LT	690.88								685.67																						
68	1314+97.5	10.1 LT	689.10							684.75	684.75																						
69	1314+60.5	11.2 LT	689.47							684.58	684.58																						
70	1314+60.5	55.0 RT	688.59								684.27																						
71	1314+54.9	60.6 RT	688.38			684.25	684.25																										
72	1312+09.9	2.3 RT	687.86							684.63	684.63																						
73	1312+86.9	9.0 LT	688.04								684.26																						
74	1312+10.1	55.0 RT	687.35			683.76																											
75	1312+15.7	60.6 RT	687.13							683.74	683.74																						
76	1312+87.0	60.6 RT	687.50				683.40			683.40	683.40																						
77	1312+95.7	87.5 RT	N/A								683.25																						
80	1312+09.9	54.8 LT	687.35	685.31							684.38																						
81	1313+99.5	55.0 LT	688.31			684.38																											
82	1313+99.5	76.8 LT	N/A							684.25	684.25																						
89	1320+00.0	0.2 RT	690.98							687.36	687.36																						
90	1320+00.0	50.8 RT	689.70							687.11	687.11																						
91	1320+00.0	72.2 RT	N/A							687.15	687.15																						
94	1324+00.0	43.7 RT	688.41							685.93	685.93																						
95	1324+00.0	63.8 RT	N/A								685.80																						
110	1320+00.0	50.3 LT	689.71	687.23																													
111	1322+00.0	46.7 LT	689.06							686.44	686.44																						
112	1323+00.0	0.0 LT	690.11							686.66	686.66																						
113	1322+00.0	0.0 LT	690.40							686.27	686.27																						
114	1322+00.0	47.1 RT	689.06							686.10	686.10																						
115	1322+00.0	69.2 RT	N/A							686.00	686.00																						
120	1324+00.0	32.9 LT	688.70							686.55	686.55																						
121	1324+00.0	42.7 LT	N/A																														
TOTAL												12	3	1	19	1	10	3	7	6	3												



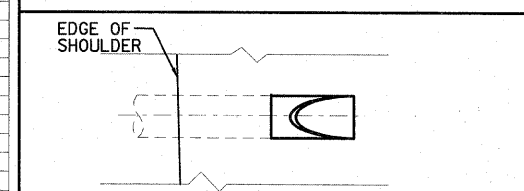
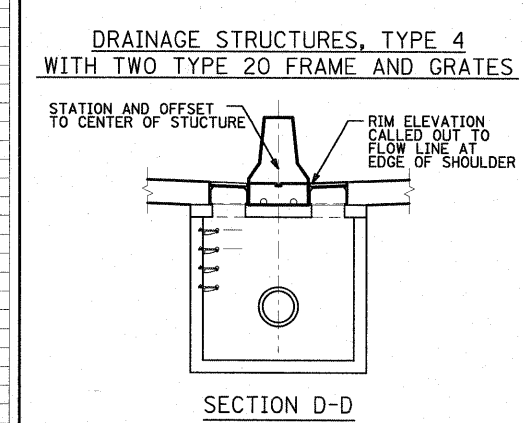
INLETS TYPE A, TYPE 1 FRAME OPEN LID



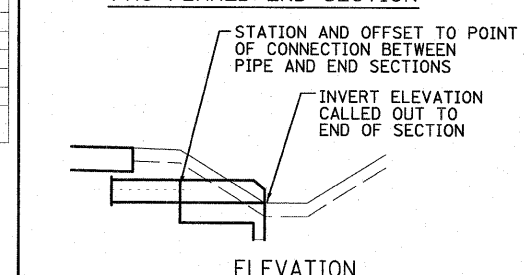
CATCH BASINS, TYPE A, 4'-DIAMETER, TYPE 24 FRAME AND GRATE



DRAINAGE STRUCTURES, TYPE 4 WITH TWO TYPE 20 FRAME AND GRATES



PRC FLARED END SECTION



FILE NAME = I:\Dgn\sheet\sc029.dgn

USER NAME = EricG	DESIGNED - JWM	REVISED -
PLOT SCALE = 1:1	DRAWN - JWM	REVISED -
PLOT DATE = 3/25/2011	CHECKED - EJC	REVISED -
	DATE - 12/17/10	REVISED -

**STATE OF ILLINOIS
DEPARTMENT OF TRANSPORTATION**

SCHEDULE OF QUANTITIES

SCALE:	SHEET NO. OF SHEETS	STA. TO STA.
--------	---------------------	--------------

F.A.I. RTE.	SECTION	COUNTY	TOTAL SHEETS	SHEET NO.
57	(46-2) I, HBR, VBR	KANKAKEE	558	31
CONTRACT NO. 66409				
FED. ROAD DIST. NO. 3 ILLINOIS FED. AID PROJECT				