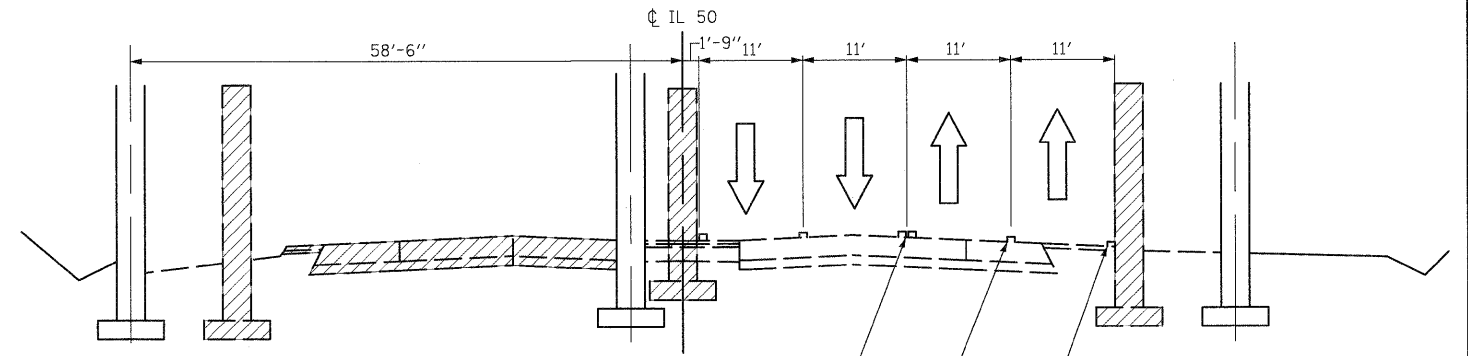


REMOVE SHOULDER, REPLACE WITH:

- POLYMERIZED HOT-MIX ASPHALT SURFACE COURSE, MIX "D", N90, 2"
- POLYMERIZED HOT-MIX ASPHALT BINDER COURSE, IL-19.0, N90, 2 1/4"
- HOT-MIX ASPHALT BINDER COURSE, IL-19.0, N90, 7" (TYPICAL)

STAGE A: IL 50

STA. 1292+89 TO STA. 1325+74
(CONSTRUCT OUTSIDE TEMPORARY PAVEMENT)



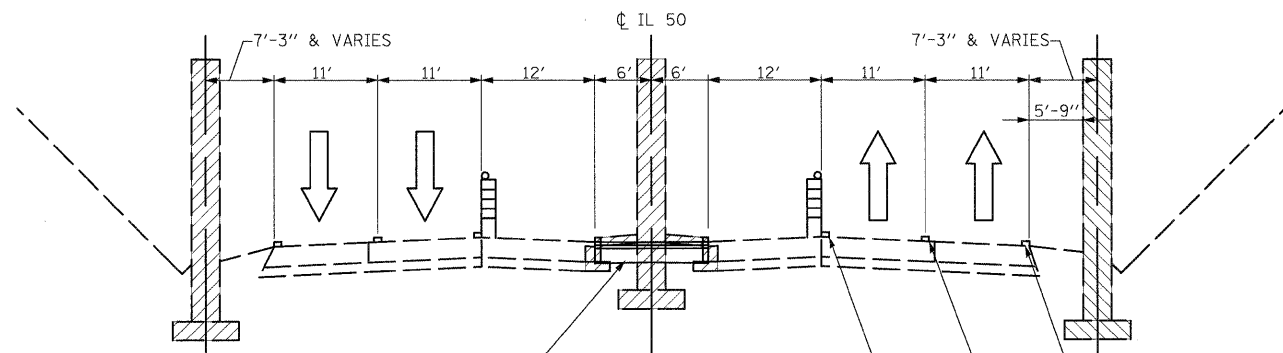
EPOXY PAVEMENT MARKING - LINE 4" (DOUBLE YELLOW) (TYP.)

EPOXY PAVEMENT MARKING - LINE 6" (WHITE SKIP DASH) (TYP.)

EPOXY PAVEMENT MARKING - LINE 4" (WHITE) (TYP.)

STAGE C: IL 50

STA. 1294+40 TO STA. 1324+77
(CONCURRENT WITH I-57 STAGES 1, 2, AND 3)

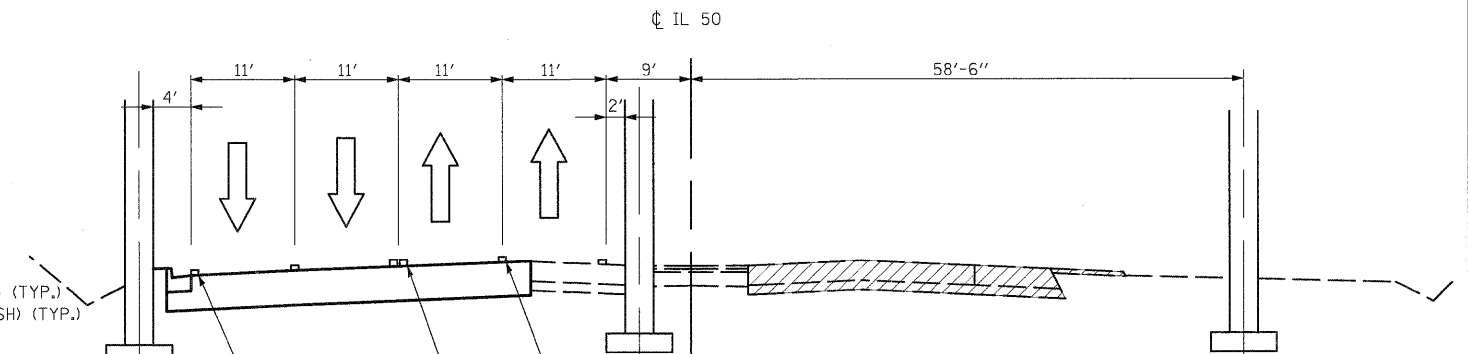


REMOVE MEDIAN AND C&G, REPLACE WITH:

- POLYMERIZED HOT-MIX ASPHALT SURFACE COURSE, MIX "D", N90, 2"
- POLYMERIZED HOT-MIX ASPHALT BINDER COURSE, IL-19.0, N90, 2 1/4"
- HOT-MIX ASPHALT BINDER COURSE, IL-19.0, N90, 7" (TYPICAL)

STAGE B: IL 50

STA. 1292+00 TO STA. 1323+14
(CONSTRUCT MEDIAN TEMPORARY PAVEMENT)



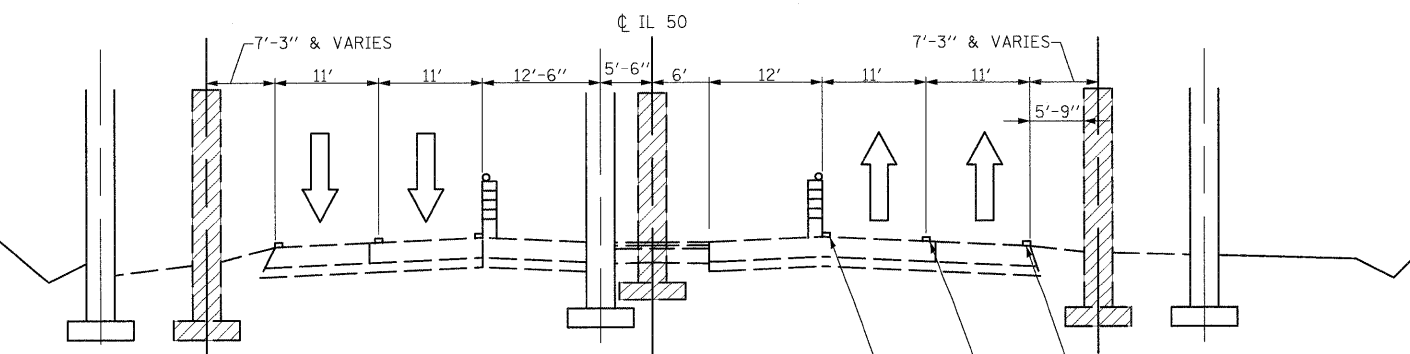
WET REFLECTIVE TEMP. TAPE TYPE III 6" (WHITE SKIP DASH) (TYP.)

WET REFLECTIVE TEMP. TAPE TYPE III 4" (DOUBLE YELLOW) (TYP.)

WET REFLECTIVE TEMP. TAPE TYPE III 4" (WHITE) (TYP.)

STAGE D: IL 50

STA. 1294+40 TO STA. 1324+77
(BEGINS AFTER REMOVAL OF EXISTING BRIDGE IN I-57 STAGE 3)



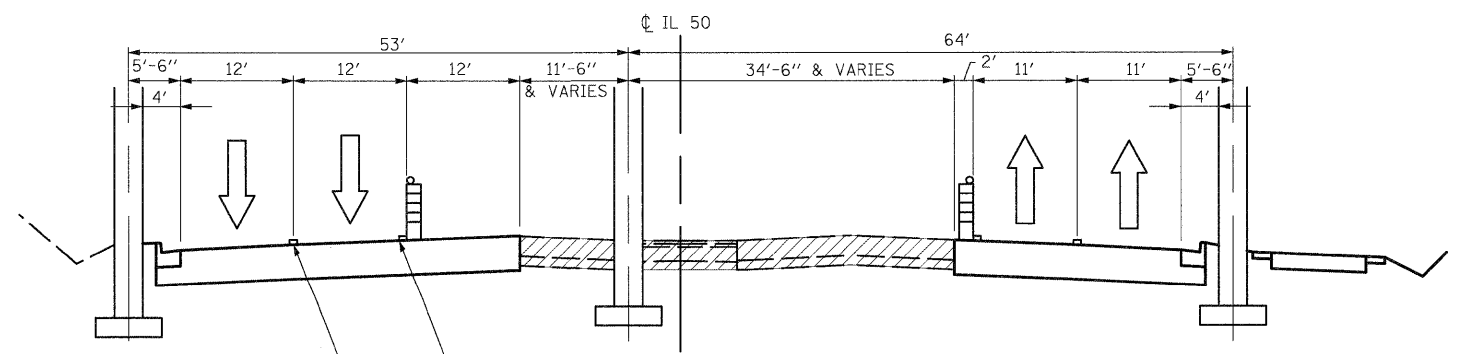
EPOXY PAVEMENT MARKING - LINE 4" (WHITE) (TYP.)

EPOXY PAVEMENT MARKING - LINE 6" (WHITE SKIP DASH) (TYP.)

EPOXY PAVEMENT MARKING - LINE 4" (YELLOW) (TYP.)

STAGE B: IL 50

(SHIFT TRAFFIC FROM OUTSIDE SHOULDERS TO MEDIAN TO FACILITATE BRIDGE WORK)
(CONCURRENT WITH I-57 STAGES 1, 2, AND 3)



WET REFLECTIVE TEMP. TAPE TYPE III 4" (YELLOW) (TYP.)

WET REFLECTIVE TEMP. TAPE TYPE III 6" (WHITE SKIP DASH) (TYP.)

STAGE E: IL 50

STA. 1292+00 TO STA. 1324+77

FILE NAME = I:\Dgn\sheets\ms04.dgn

USER NAME = EricG
PLOT SCALE = 1:10
PLOT DATE = 12/22/2010

DESIGNED -
DRAWN -
CHECKED -
DATE - 12/17/10

REVISED -
REVISED -
REVISED -
REVISED -

**STATE OF ILLINOIS
DEPARTMENT OF TRANSPORTATION**

MAINTENANCE OF TRAFFIC TYPICAL SECTIONS

SCALE: SHEET NO. OF SHEETS STA. TO STA.

F.A.I. RTE.	SECTION	COUNTY	TOTAL SHEETS	SHEET NO.
57	(46-2) I, HBR, VBR	KANKAKEE	558	75
FED. ROAD DIST. NO. 3 ILLINOIS FED. AID PROJECT			CONTRACT NO. 66409	