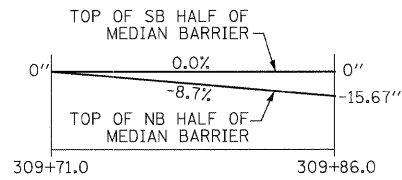
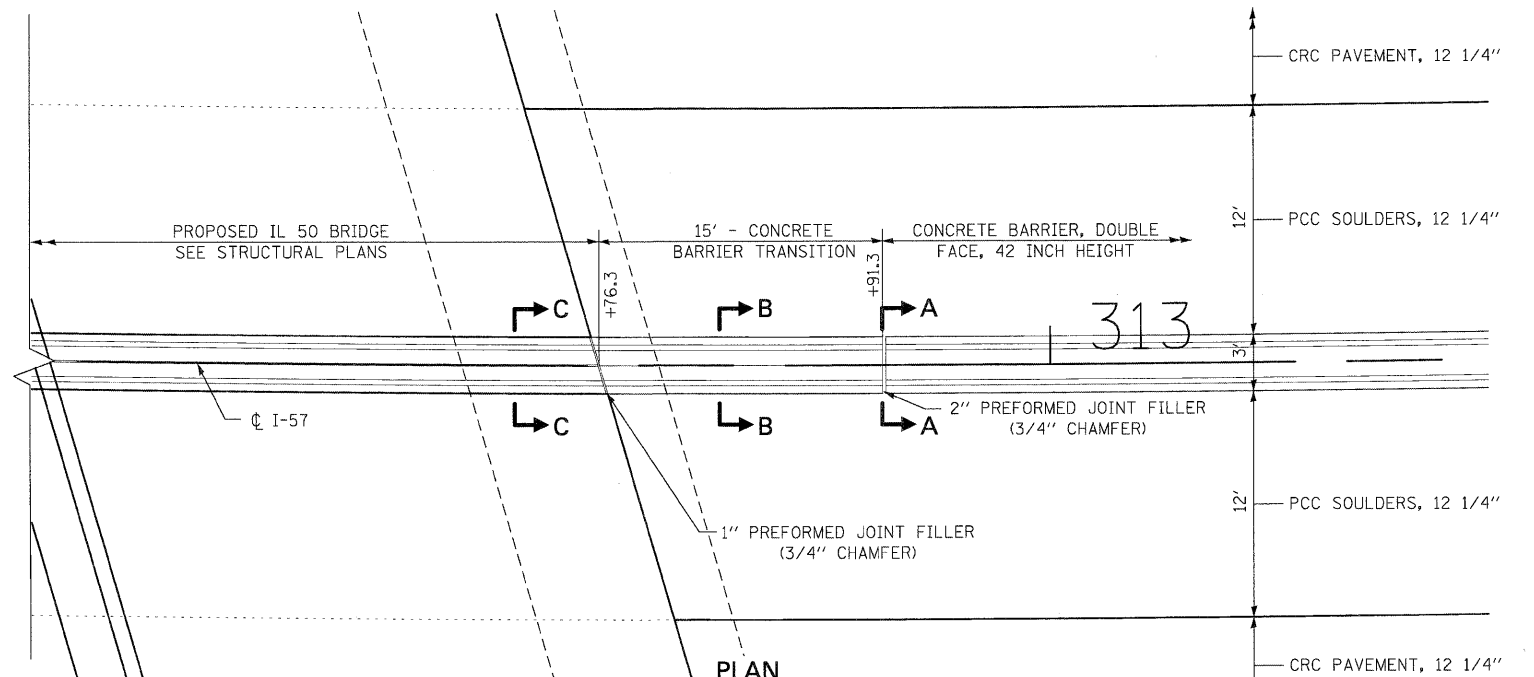


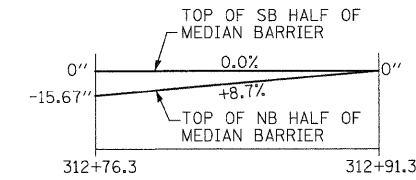
PLAN



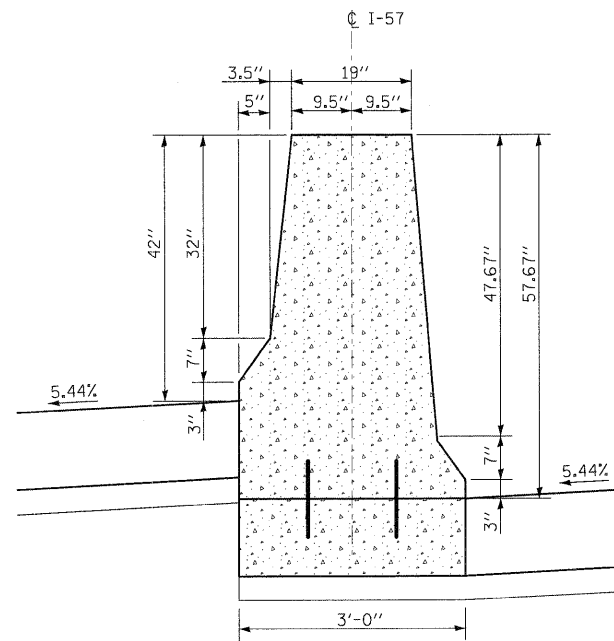
PROFILE - TOP OF MEDIAN BARRIER



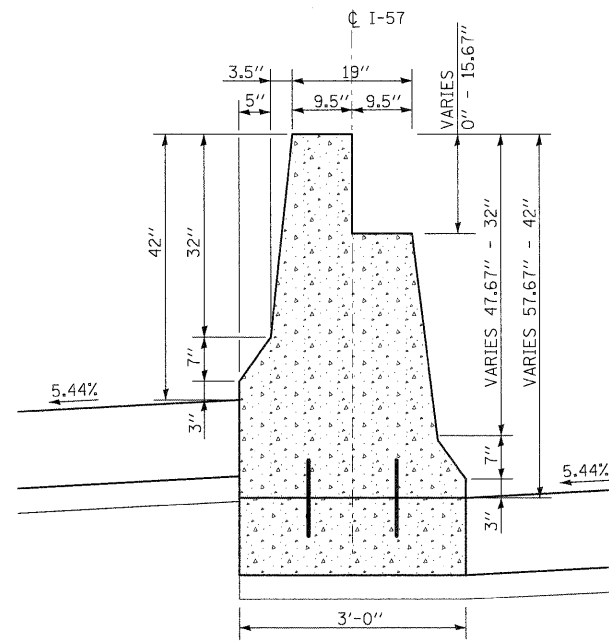
PLAN



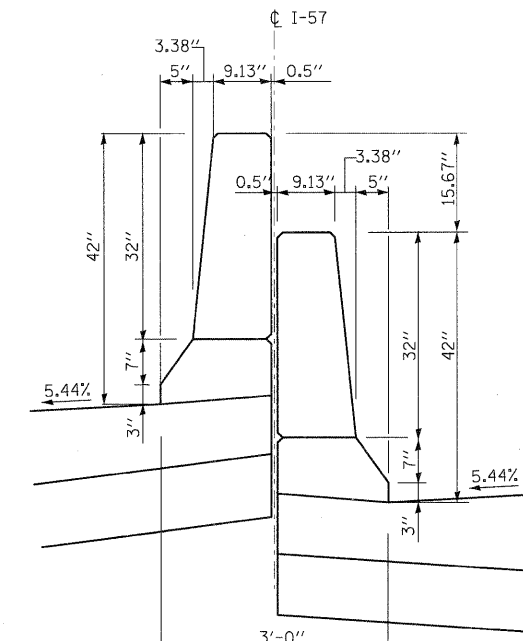
PROFILE - TOP OF MEDIAN BARRIER



SECTION A-A



SECTION B-B



SECTION C-C

FILE NAME =
I:\0gn\sheet\pd02.dgn

USER NAME = EricG
PLOT SCALE = 1:5
PLOT DATE = 12/22/2010

DESIGNED - JTF
DRAWN - JTF
CHECKED - EJG
DATE - 12/17/10

REVISED -
REVISED -
REVISED -
REVISED -

STATE OF ILLINOIS
DEPARTMENT OF TRANSPORTATION

CONCRETE MEDIAN BARRIER TRANSITION DETAILS

SCALE: SHEET NO. OF SHEETS STA. TO STA.

F.A.I. RTE. 57	SECTION (46-2) I, HBR, VBR	COUNTY KANKAKEE	TOTAL SHEETS 558	SHEET NO. 183
FED. ROAD DIST. NO. 3 ILLINOIS FED. AID PROJECT			CONTRACT NO. 66409	