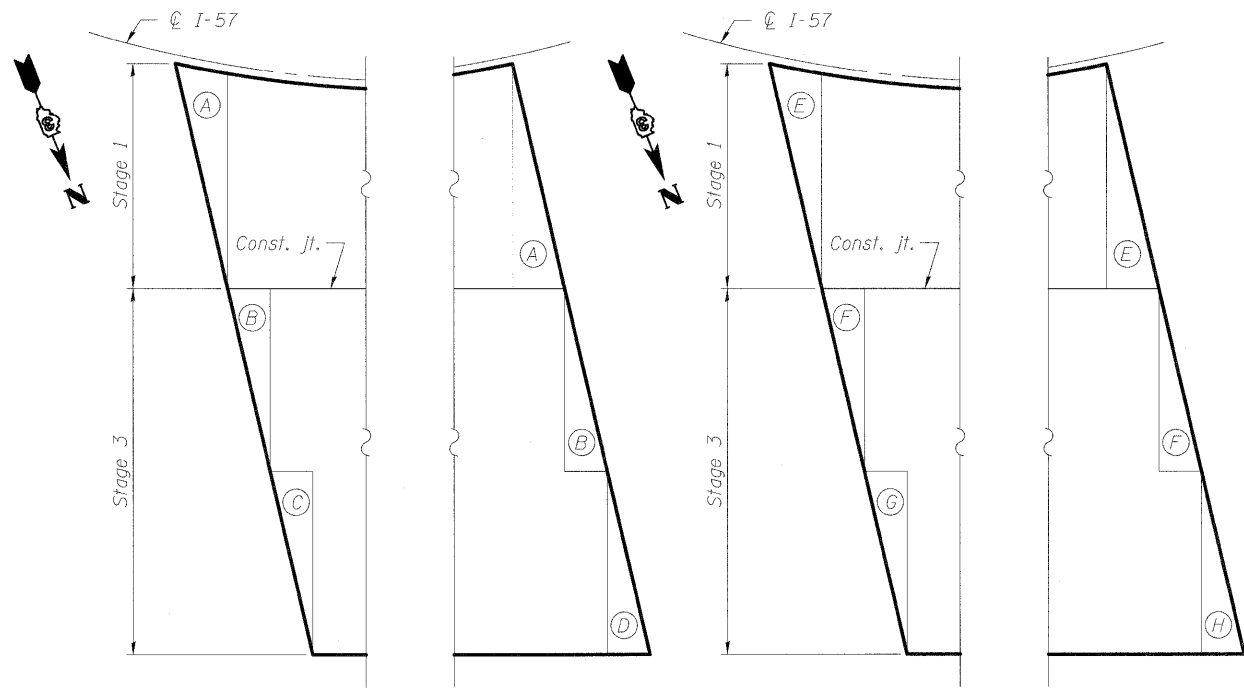


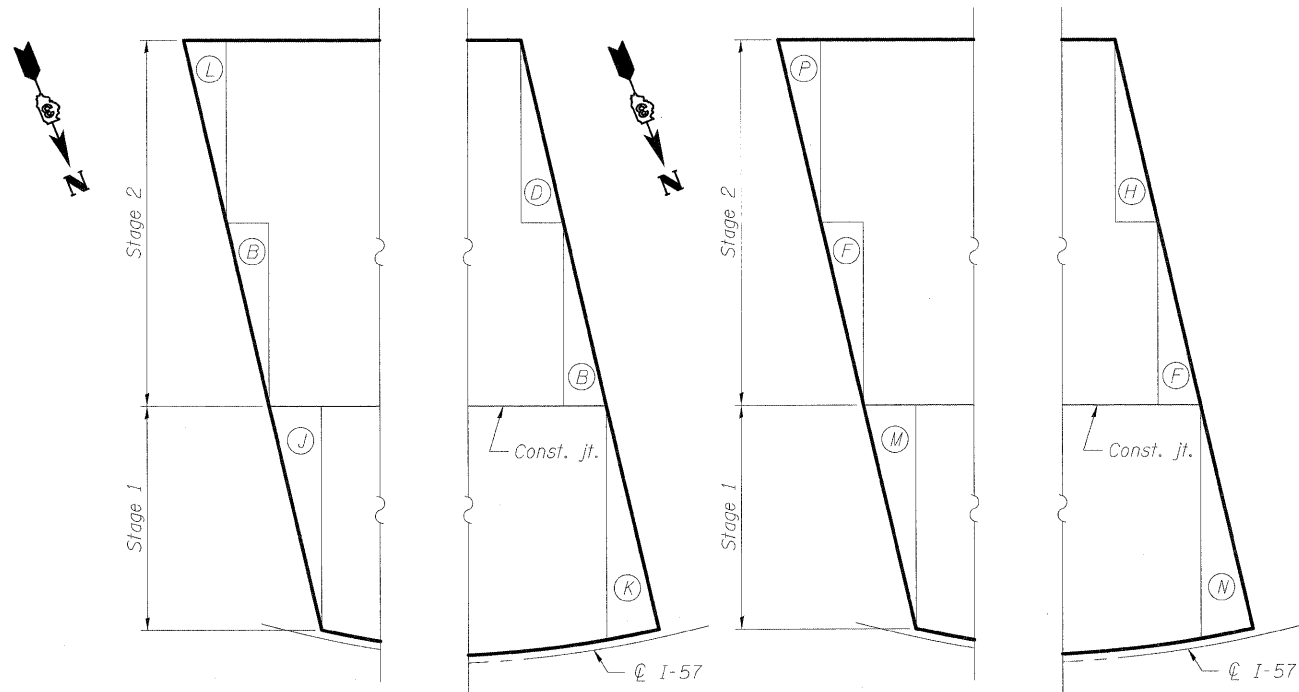
STATE OF ILLINOIS
DEPARTMENT OF TRANSPORTATION



BOTTOM BAR PLAN

TOP BAR PLAN

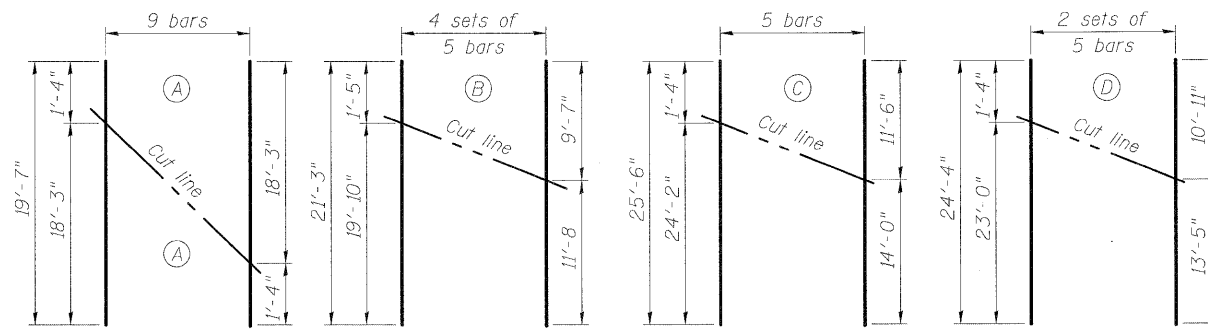
N.B. BRIDGE CUT BAR LOCATION PLAN



BOTTOM BAR PLAN

TOP BAR PLAN

S.B. BRIDGE CUT BAR LOCATION PLAN

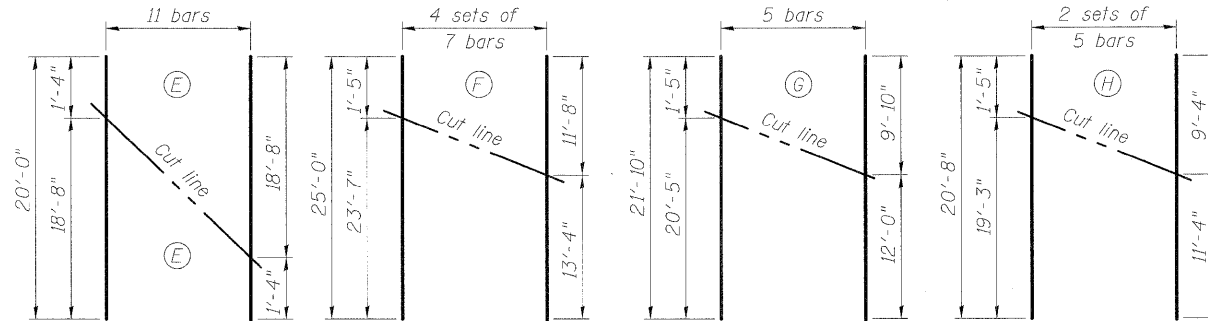


BAR a9(E)

BAR a10(E)

BAR a11(E)

BAR a12(E)

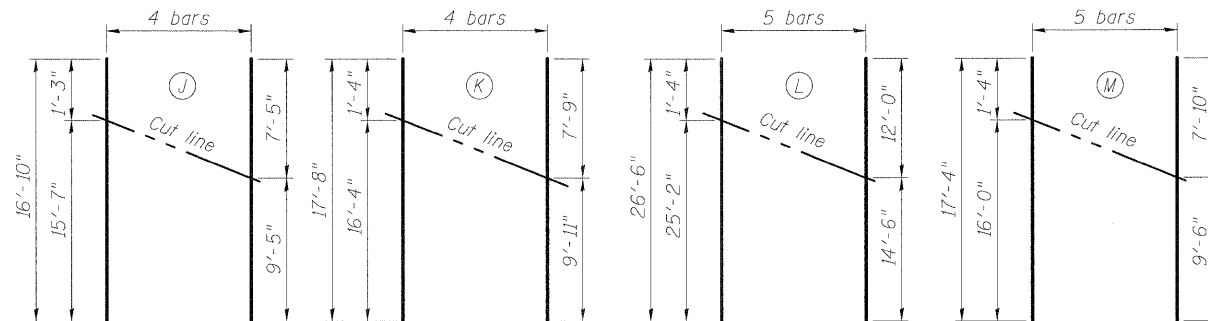


BAR a13(E)

BAR a14(E)

BAR a15(E)

BAR a16(E)

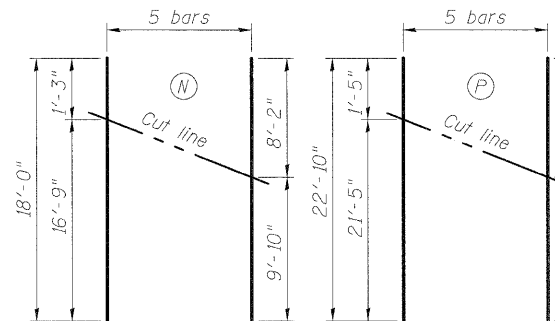


BAR a24(E)

BAR a25(E)

BAR a26(E)

BAR a27(E)



BAR a28(E)

BAR a29(E)

DECK BAR CUTTING DIAGRAMS

BAR CUTTING DIAGRAMS
STRUCTURE NO. 046-0144 (S.B.)
& STRUCTURE NO. 046-0145 (N.B.)

DESIGNED	AWW
CHECKED	PMH
DRAWN	AMV
CHECKED	AWW



McDonough Associates Inc.
Engineers / Architects
130 East Randolph Street
Chicago, Illinois 60601
(312) 946-8600

SHEET NO. SH-23 SHEETS SH-56	F.A.I. RTE.	SECTION	COUNTY	TOTAL SHEETS	SHEET NO.
	57	(46-2) HBR	KANKAKEE	558	294
CONTRACT NO. 66409					
FED. ROAD DIST. NO. 3 ILLINOIS FED. AID PROJECT					