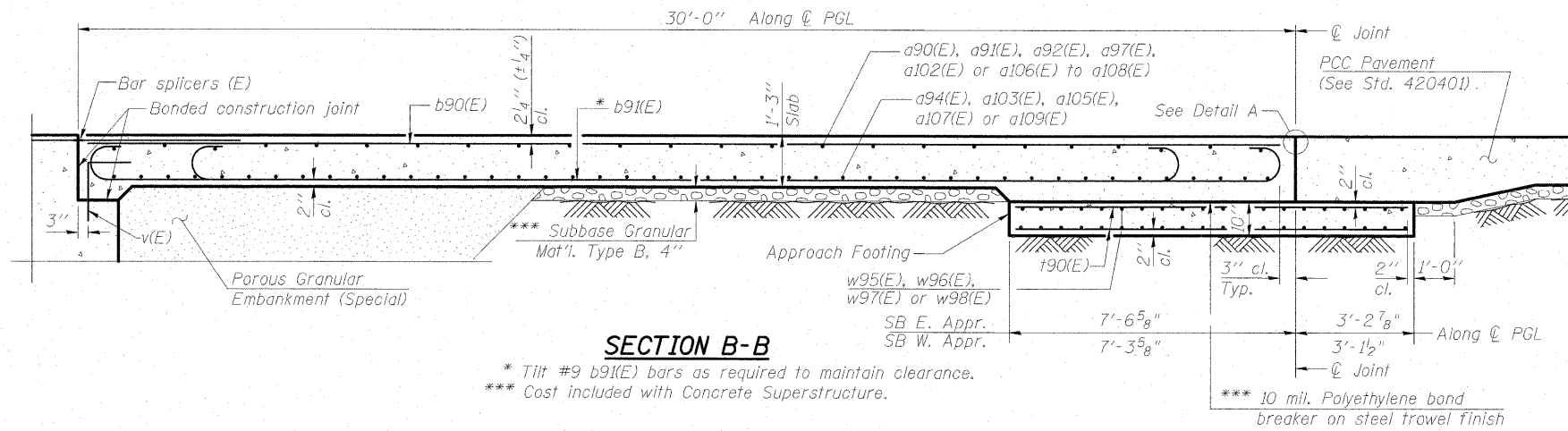


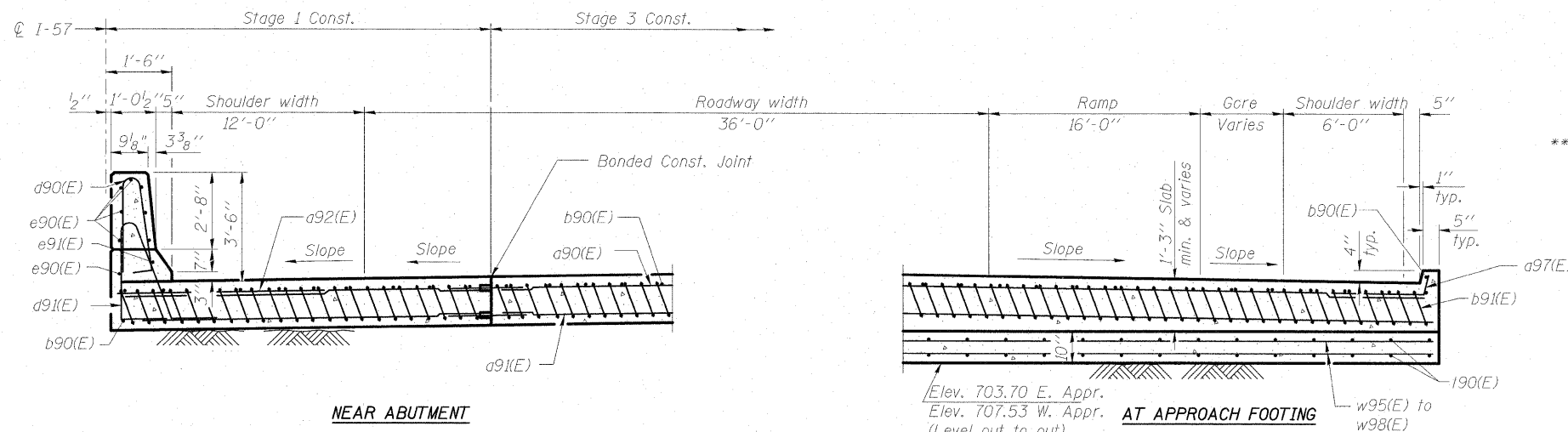
STATE OF ILLINOIS  
DEPARTMENT OF TRANSPORTATION

Notes:  
Approach slab and parapet concrete shall be paid for as Concrete Superstructure.  
Approach footing concrete shall be paid for as Concrete Structures.  
Reinforcement shall be paid for as Reinforcement Bars, Epoxy Coated.  
For v(E) bar details, see sheets SH-22.  
The approach footing maximum applied service bearing pressure (Q<sub>max</sub>) = 2.0 ksf.  
For bar splicer details, see sheet SH-51.  
Cost of excavation for approach footing included with Concrete Structures.  
For Porous Granular Embankment (Special) and drainage treatment details, see sheet SH-2.  
For additional parapet details, see sheets SH-20 & SH-21.



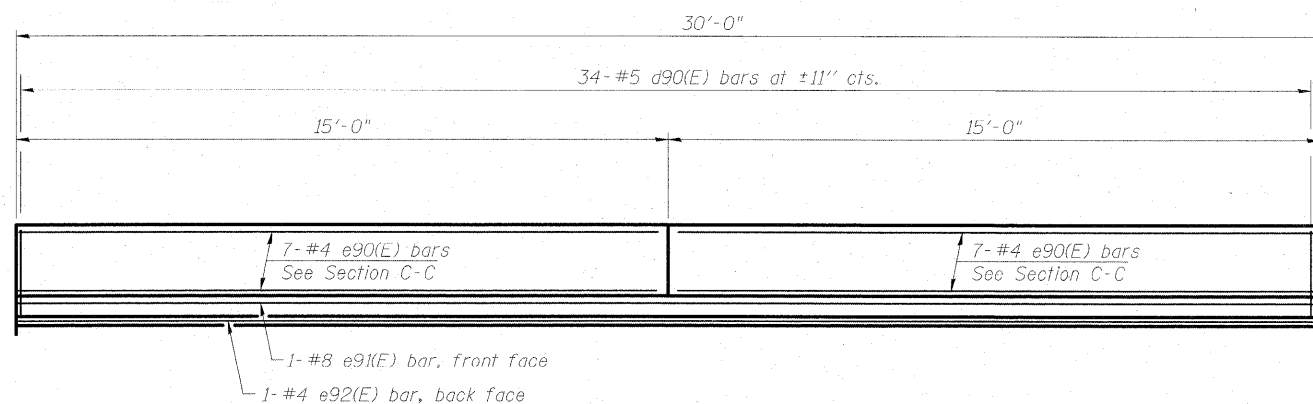
**SECTION B-B**

\* Tilt #9 b91(E) bars as required to maintain clearance.  
\*\*\* Cost included with Concrete Superstructure.



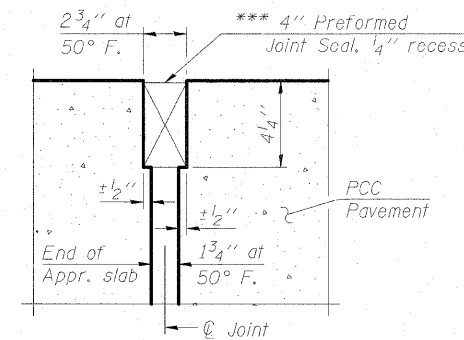
**SECTION C-C**

(See Plan for dimensions not shown)



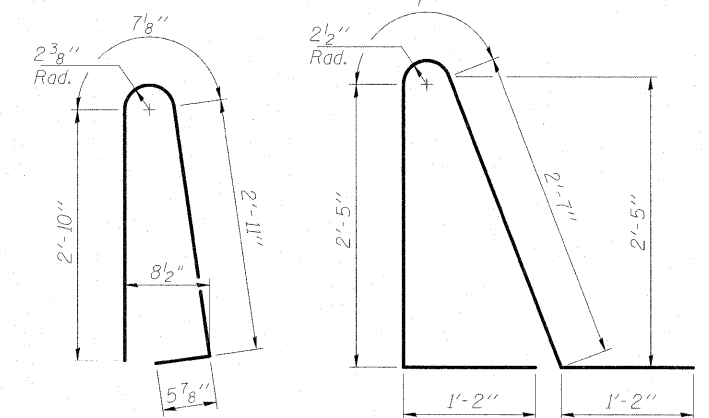
**VIEW D-D**

East Approach shown, West Approach similar.



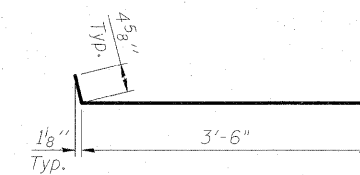
**DETAIL A**

\*\*\* Cost included with Concrete Superstructure.

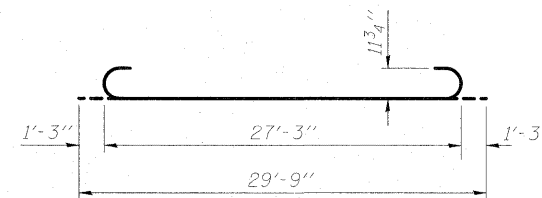


**BAR d90(E)**

**BAR d91(E)**



**BAR a97(E)**



**BAR b91(E)**

**NORTHBOUND APPROACHES  
BILL OF MATERIAL**

Bar	Stage 1		Stage 3		Shape
	No.	Size	No.	Length	
a91(E)	50	#4		4'-0"	—
a92(E)	50	#6		6'-6"	—
a94(E)	92	#5		4'-3"	—
a97(E)		#4	50	4'-1"	—
a102(E)	25	#4		24'-0"	—
a103(E)	46	#5		24'-0"	—
a104(E)	25	#4		23'-4"	—
a105(E)	46	#5		23'-4"	—
a106(E)		#4	50	23'-1"	—
a107(E)		#5	92	24'-2"	—
a108(E)		#4	50	22'-6"	—
a109(E)		#5	92	23'-7"	—
b90(E)	43	#4	71	29'-8"	—
b91(E)	118	#9	202	29'-9"	—
d90(E)	68	#5		6'-10"	—
d91(E)	68	#5		7'-11"	—
e90(E)	28	#4		14'-8"	—
e91(E)	2	#8		29'-8"	—
e92(E)	2	#4		14'-8"	—
f90(E)	50	#4	78	10'-4"	—
f91(E)	50	#4	84	10'-1"	—
f92(E)		#4	6	10'-8"	—
w95(E)	40	#5		25'-3"	—
w96(E)	40	#5		25'-0"	—
w97(E)		#5	80	22'-6"	—
w98(E)		#5	80	21'-9"	—
Concrete Superstructure		Cu. Yd.		197	
Concrete Structures		Cu. Yd.		41	
Reinforcement Bars, Epoxy Coated		Pound		54,080	

\* Includes 7,620 lbs. for Approach Footing. Quantity included with substructure.

**APPROACH SLAB DETAILS (NB)  
STRUCTURE NO. 046-0144 (S.B.)  
& STRUCTURE NO. 046-0145 (N.B.)**

DESIGNED	RJ
CHECKED	MJL
DRAWN	RJ
CHECKED	MJL

**McDonough Associates Inc.**  
Engineers / Architects  
130 East Randolph Street  
Chicago, Illinois 60601  
(312) 946-8600

SHEET NO. SH-31 SHEETS SH-56	F.A.I. RTE.	SECTION	COUNTY	TOTAL SHEETS	SHEET NO.
	57	(46-2) HBR	KANKAKEE	558	302
	CONTRACT NO. 66409				
FED. ROAD DIST. NO. 3 ILLINOIS FED. AID PROJECT					