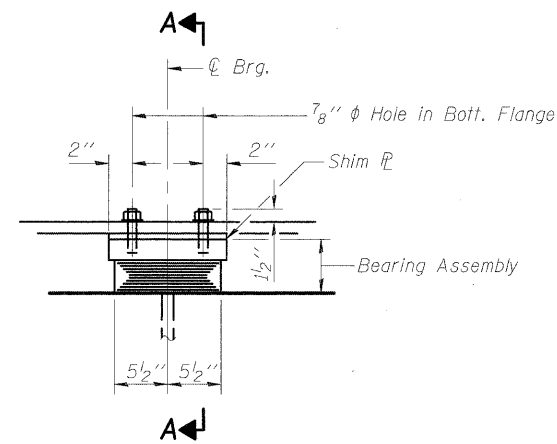
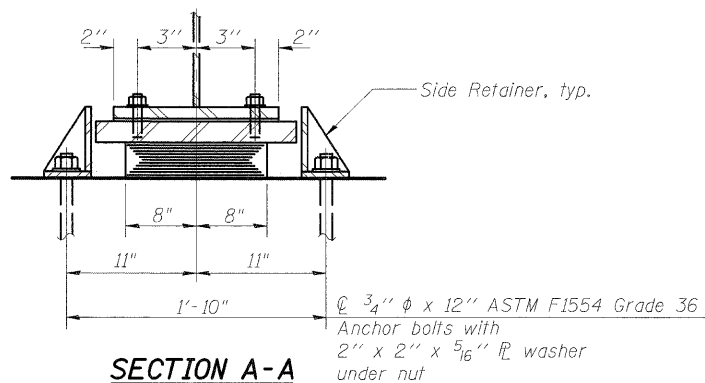


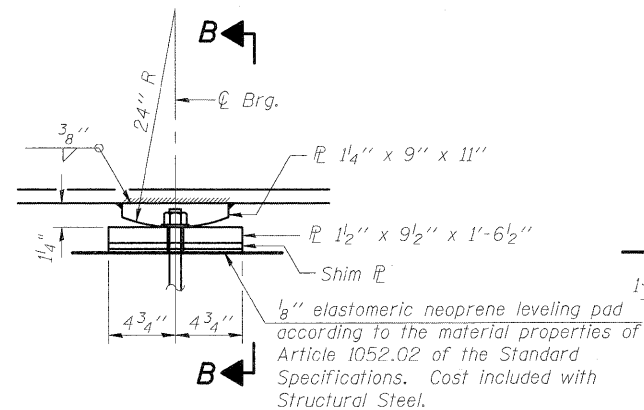
STATE OF ILLINOIS
DEPARTMENT OF TRANSPORTATION



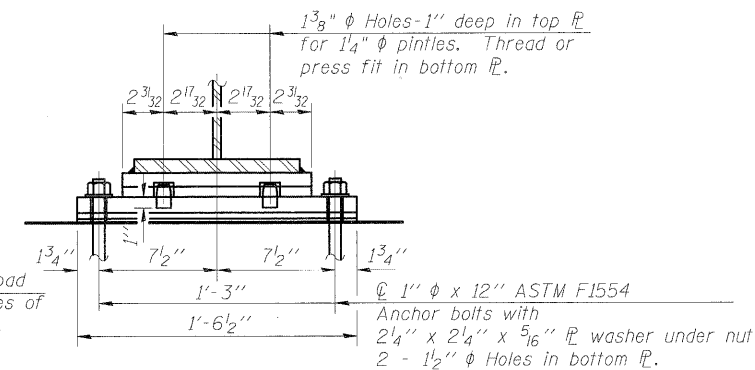
ELEVATION AT PIER 3



SECTION A-A



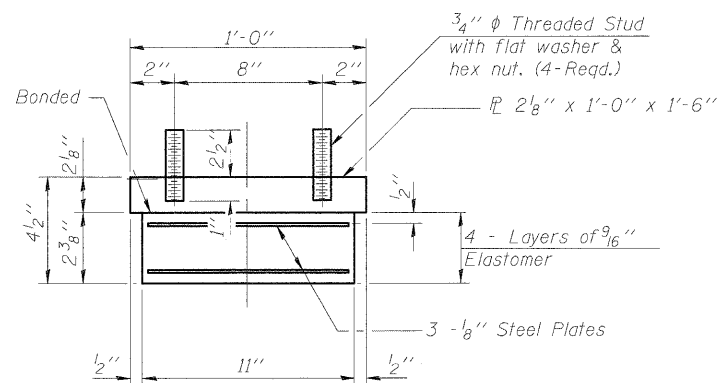
ELEVATION AT PIER



SECTION B-B

TYPE I ELASTOMERIC EXP. BRG.

At Pier 3
No. required = 18



BEARING ASSEMBLY

Note:
Shim plates shall not be placed
under Bearing Assembly.

Notes:

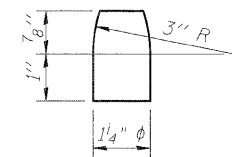
Anchor bolts shall be ASTM F1554 all-thread (or an Engineer-approved alternate material) of the grade(s) and diameter(s) specified. ASTM A307 Grade C anchor bolts may be used in lieu of ASTM F1554 Grade 36 (Fy=36ksi). The corresponding specified grade of AASHTO M314 anchor bolts may be used in lieu of ASTM F1554.

Anchor bolts at fixed bearings may be either cast in place or installed in holes drilled after the supported member is in place.

Anchor bolts for side retainers may be cast in place or installed in holes drilled before or after members are in place.

Drilled and set anchor bolts shall be installed according to Article 521.06 of the Standard Specifications.

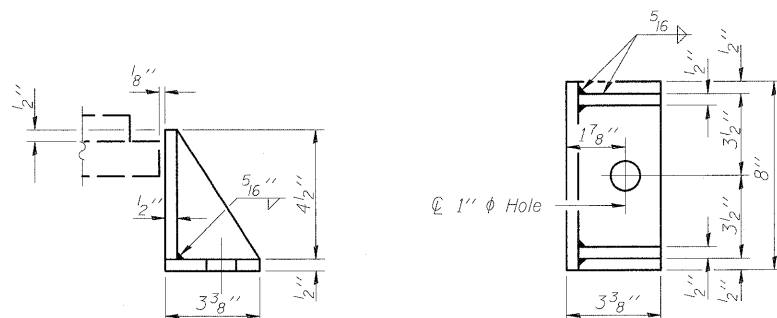
Side retainers and other steel members required for the bearing assembly shall be included in the cost of Elastomeric Bearing Assembly, Type I.



PINTLE

FIXED BEARING

At Pier 2
No. required = 18



SIDE RETAINER

Equivalent rolled angle with stiffeners
will be allowed in lieu of welded plates.

BILL OF MATERIAL

Item	Unit	Total
Elastomeric Bearing Assembly Type I	Each	18
Anchor Bolts 3/4"	Each	36
Anchor Bolts 1"	Each	36

**BEARING DETAILS 2 OF 2
STRUCTURE NO. 046-0144 (S.B.)
& STRUCTURE NO. 046-0145 (N.B.)**

DESIGNED	PMH
CHECKED	MJL
DRAWN	PMH
CHECKED	MJL

McDonough Associates Inc.
Engineers / Architects
130 East Randolph Street
Chicago, Illinois 60601
(312) 946-8600

SHEET NO. SH-37 SHEETS SH-56	F.A.I. RTE.	SECTION	COUNTY	TOTAL SHEETS	SHEET NO.
	57	(46-2) HBR	KANKAKEE	558	308
CONTRACT NO. 66409					
FED. ROAD DIST. NO. 3 ILLINOIS FED. AID PROJECT					