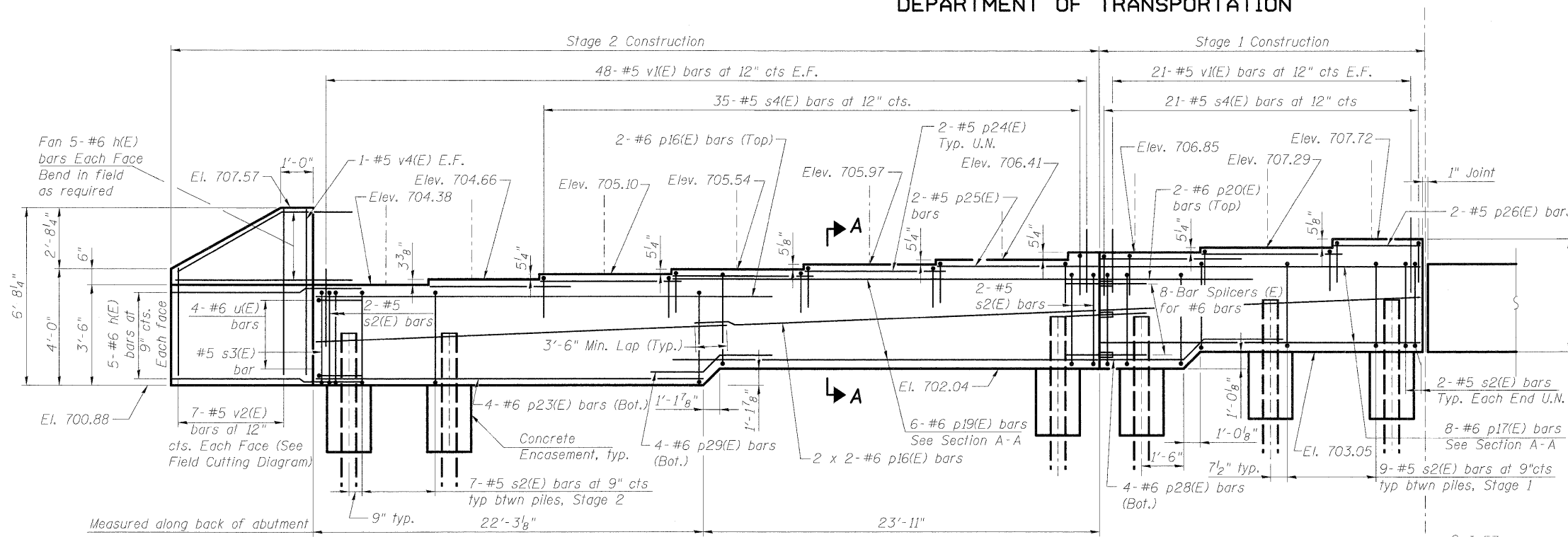
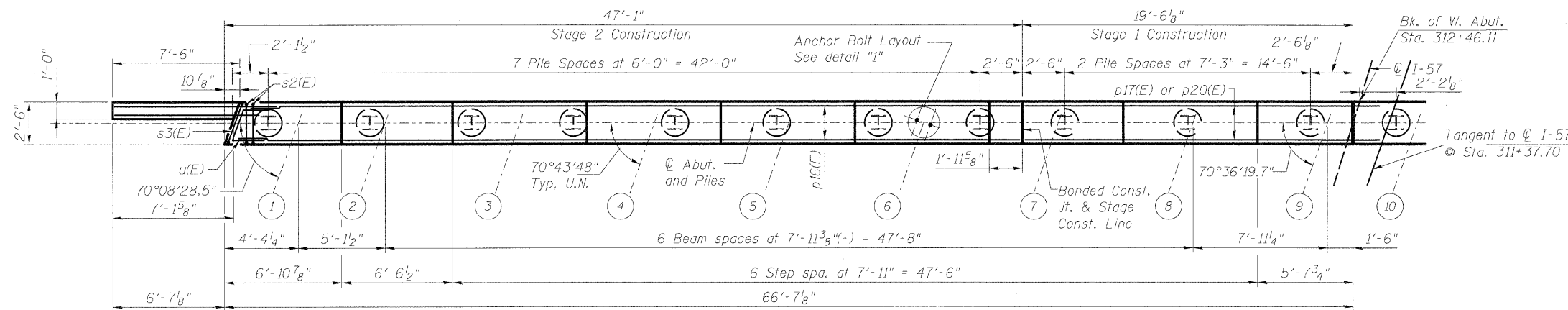


STATE OF ILLINOIS
DEPARTMENT OF TRANSPORTATION



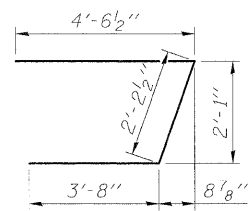
WEST ABUTMENT ELEVATION (SB)
(Looking East)



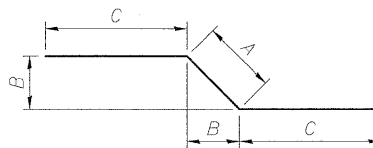
PLAN

PILE DATA

Type:	HP 10 x 57 w/ Pile Shoes
Nominal Required Bearing:	453 kips
Allowable Resistance Available:	151 kips
Est. Length:	49 ft.
No. Production Piles:	22
No. Test Piles:	1

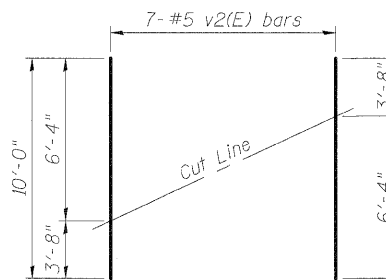


BAR u(E)



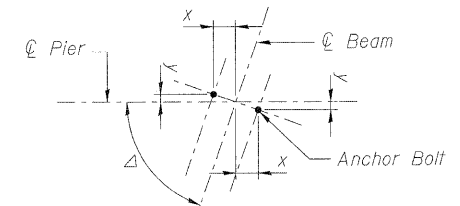
Bar	A	B	C
p28(E)	1'-6"	1'-0 3/4"	3'-10"
p29(E)	1'-8"	1'-2 1/2"	4'-2"
p30(E)	1'-10"	1'-3 1/2"	3'-10"
p31(E)	1'-3"	10 5/8"	3'-3"

BARS p28(E), p29(E), p30(E) & p31(E)



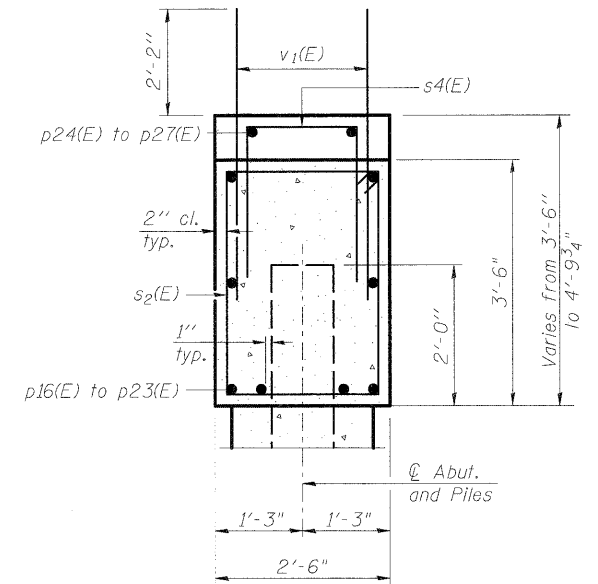
FIELD CUTTING DIAGRAM

Order v2(E) full length. Cut as shown and use remainder of bars in opposite face.



Beam No.	Δ	x	y
1	70°08'28.5"	4 3/4"	1 3/4"
2 thru 8	70°43'48"	4 3/4"	1 5/8"
9	70°36'19.7"	4 3/4"	1 5/8"

DETAIL "1"
ANCHOR BOLT LAYOUT



SECTION A-A

MINIMUM BAR LAP
(Abutment)

Top Bars	Other Bars
#6 bar = 3'-6"	#6 bar = 3'-1"

Notes:
Pour steps monolithically with cap.
For details of Bar Splicers, see Sht. SH-51.
For Bill of Material see Sht. SH-41.
For details of piles and Concrete Encasement, see Sht. SH-52.

Bars indicated thus 2 x 2 - #6 etc. indicates 2 lines of bars with 2 lengths per line.

WEST ABUTMENT & DETAILS (SB)
STRUCTURE NO. 046-0144 (S.B.)
& STRUCTURE NO. 046-0145 (N.B.)

DESIGNED	PMH
CHECKED	MJL
DRAWN	PMH
CHECKED	MJL

McDonough Associates Inc.
Engineers / Architects
130 East Randolph Street
Chicago, Illinois 60601
(312) 946-8600

SHEET NO. SH-40 SHEETS SH-56	F.A.I. R.T.E.	SECTION	COUNTY	TOTAL SHEETS	SHEET NO.
	57	(46-2) HBR	KANKAKEE	558	311
CONTRACT NO. 66409					
FED. ROAD DIST. NO. 3 ILLINOIS FED. AID PROJECT					