

STATE OF ILLINOIS
DEPARTMENT OF TRANSPORTATION



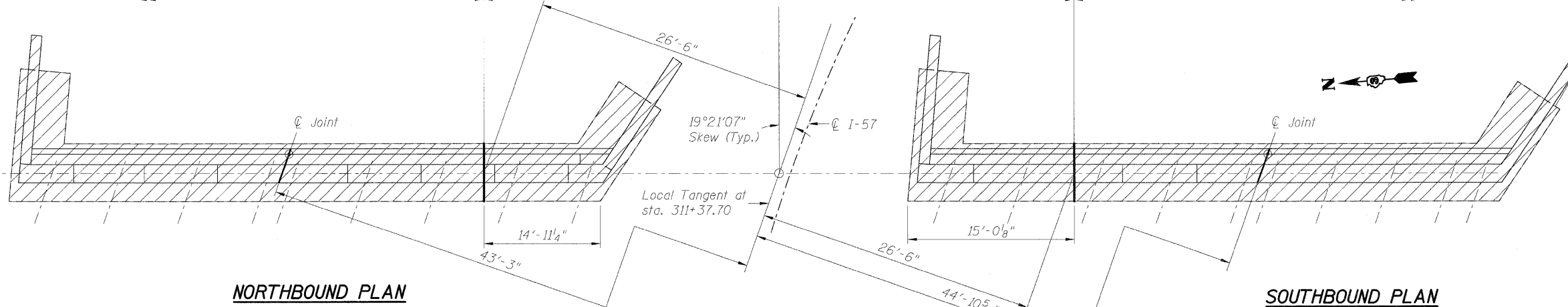
NORTHBOUND ELEVATION

SOUTHBOUND ELEVATION

Stage 3 Removal

Stage 1 Removal

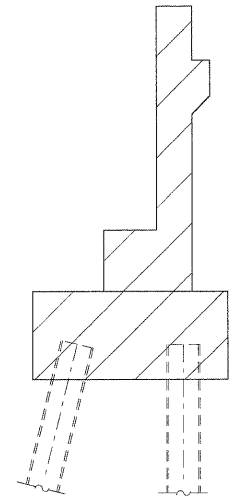
Stage 2 Removal



NORTHBOUND PLAN

SOUTHBOUND PLAN

EXISTING EAST ABUTMENT
Looking East



SECTION THRU ABUTMENT



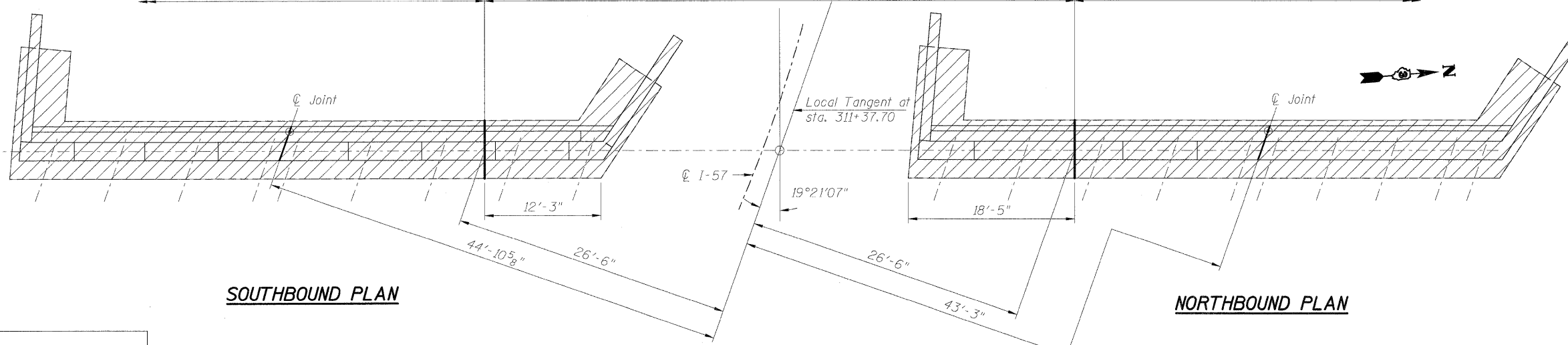
SOUTHBOUND ELEVATION

NORTHBOUND ELEVATION

Stage 2 Removal

Stage 1 Removal

Stage 3 Removal



SOUTHBOUND PLAN

NORTHBOUND PLAN

EXISTING WEST ABUTMENT
Looking West

LEGEND

Concrete Removal

DESIGNED	RJ
CHECKED	PMH
DRAWN	RJ
CHECKED	PMH

McDonough Associates Inc.
Engineers / Architects
130 East Randolph Street
Chicago, Illinois 60601
(312) 946-8600

SHEET NO. SH-42 SHEETS SH-56	F.A.I. RTE.	SECTION	COUNTY	TOTAL SHEETS	SHEET NO.
	57	(46-2) HBR	KANKAKEE	558	313
CONTRACT NO. 66409					
FED. ROAD DIST. NO. 3 ILLINOIS FED. AID PROJECT					

EAST AND WEST ABUTMENT REMOVAL
STRUCTURE NO. 046-0144 (S.B.)
& STRUCTURE NO. 046-0145 (N.B.)