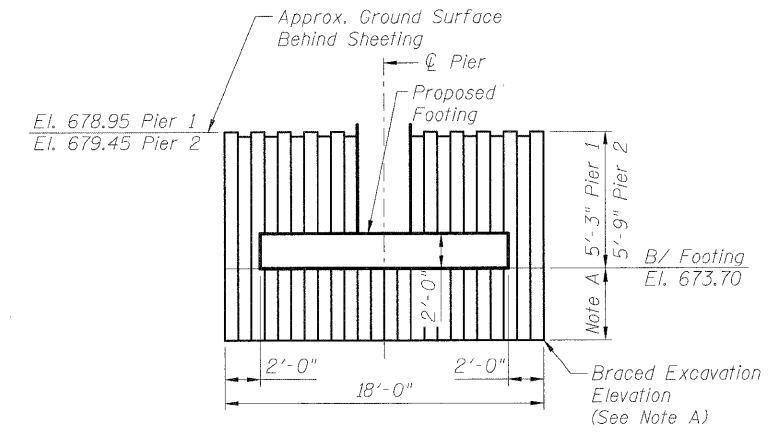
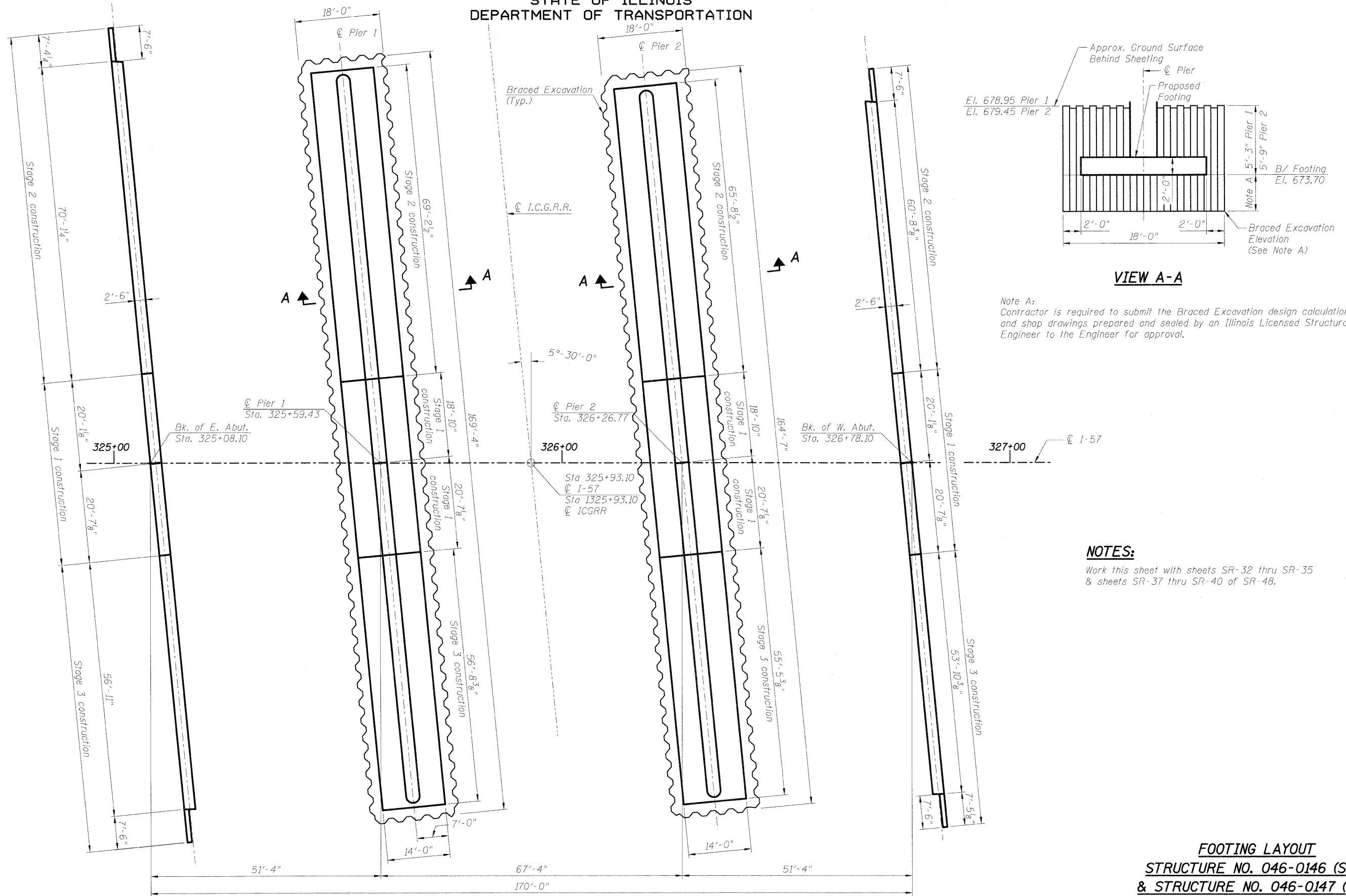


STATE OF ILLINOIS
DEPARTMENT OF TRANSPORTATION



VIEW A-A

Note A:
Contractor is required to submit the Braced Excavation design calculations and shop drawings prepared and sealed by an Illinois Licensed Structural Engineer to the Engineer for approval.

NOTES:

Work this sheet with sheets SR-32 thru SR-35 & sheets SR-37 thru SR-40 of SR-48.

**FOOTING LAYOUT
STRUCTURE NO. 046-0146 (S.B.)
& STRUCTURE NO. 046-0147 (N.B.)**

DESIGNED	PMH
CHECKED	MJL
DRAWN	PMH
CHECKED	BB

FOOTING LAYOUT

McDonough Associates Inc.
Engineers / Architects
130 East Randolph Street
Chicago, Illinois 60601
(312) 946-8600

SHEET NO. SR-4 SHEETS SR-48	F.A.I. RTE.	SECTION	COUNTY	TOTAL SHEETS	SHEET NO.
	57	(46-2) VBR	KANKAKEE	558	331
CONTRACT NO. 66409					
FED. ROAD DIST. NO. 3 ILLINOIS FED. AID PROJECT					