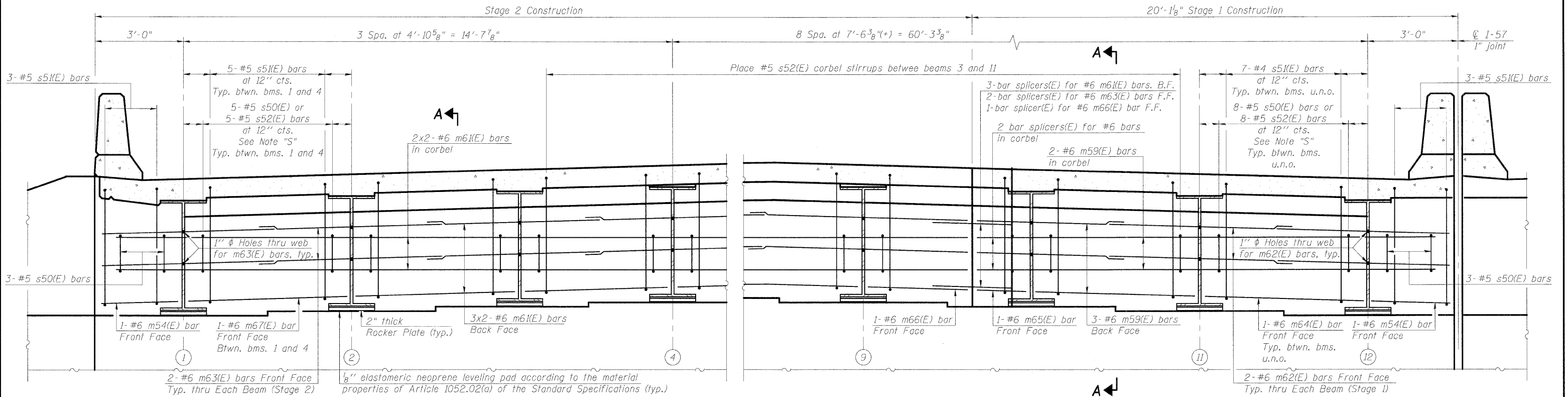


STATE OF ILLINOIS
DEPARTMENT OF TRANSPORTATION



DIAPHRAGM ELEVATION AT WEST ABUTMENT (SB)

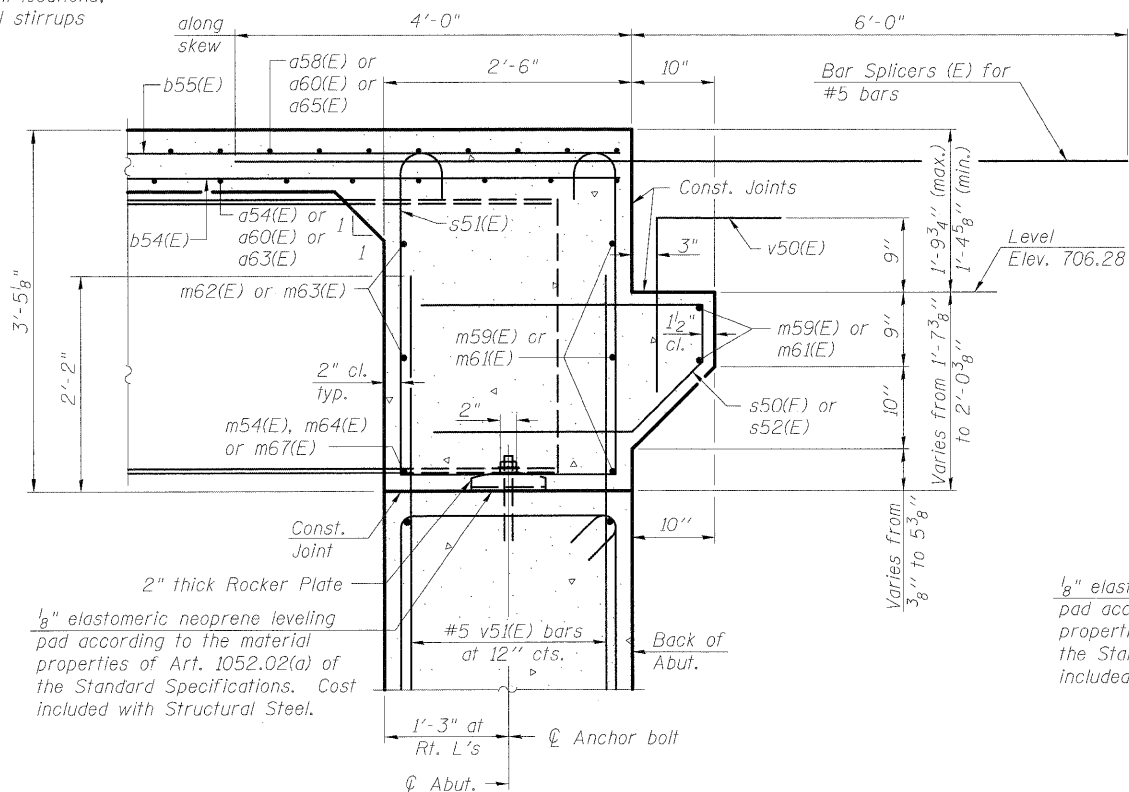
Looking West

NOTE "S":

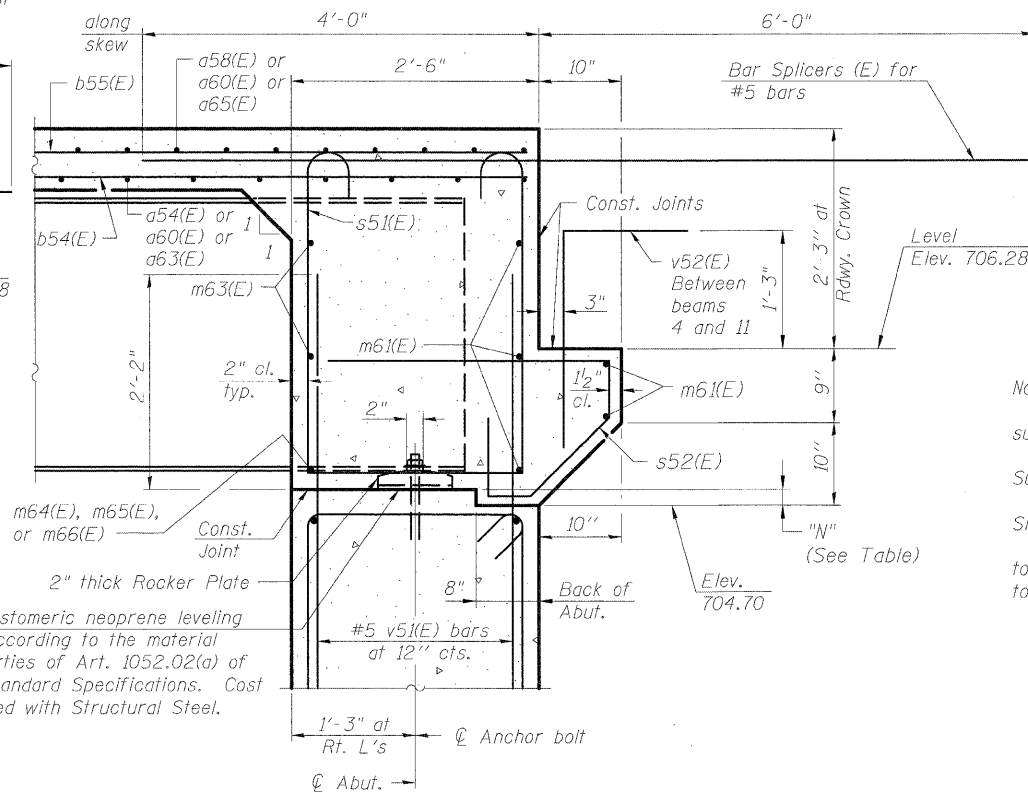
Utilize s50(E) corbel stirrups at all locations, unless placement of s52(E) corbel stirrups is indicated.

MIN. BAR LAP

#6 bar = 3'-4"



BEAMS 1 THRU 4, 11 AND 12



BEAMS 5 THRU 10

Notes:
Reinforcement bars in diaphragm are billed with superstructure on sheet SR-17 of SR-48.
Concrete in diaphragm is included with Concrete Superstructure on sheet SR-17 of SR-48.
For details of bars s50(E), s51(E) & s52(E) see sheet SR-17 of SR-48.
The s50(E), s51(E) & s52(E) bars shall be placed parallel to the beams. Spacing for these bars shall be at right angles to the beams.

DIAPHRAGM AT WEST ABUTMENT (SB)
STRUCTURE NO. 046-0146 (S.B.)
& STRUCTURE NO. 046-0147 (N.B.)

DESIGNED	AWW
CHECKED	PMH
DRAWN	AMV
CHECKED	AWW

SECTION A-A

Dimensions at right angles to abutment, except as shown.



McDonough Associates Inc.
Engineers / Architects
130 East Randolph Street
Chicago, Illinois 60601
(312) 946-8600

SHEET NO. SR-22 SHEETS SR-48	F.A.I. RTE.	SECTION	COUNTY	TOTAL SHEETS	SHEET NO.
	57	(46-2) VBR	KANKAKEE	558	349
CONTRACT NO. 66409					
FED. ROAD DIST. NO. 3 ILLINOIS FED. AID PROJECT					