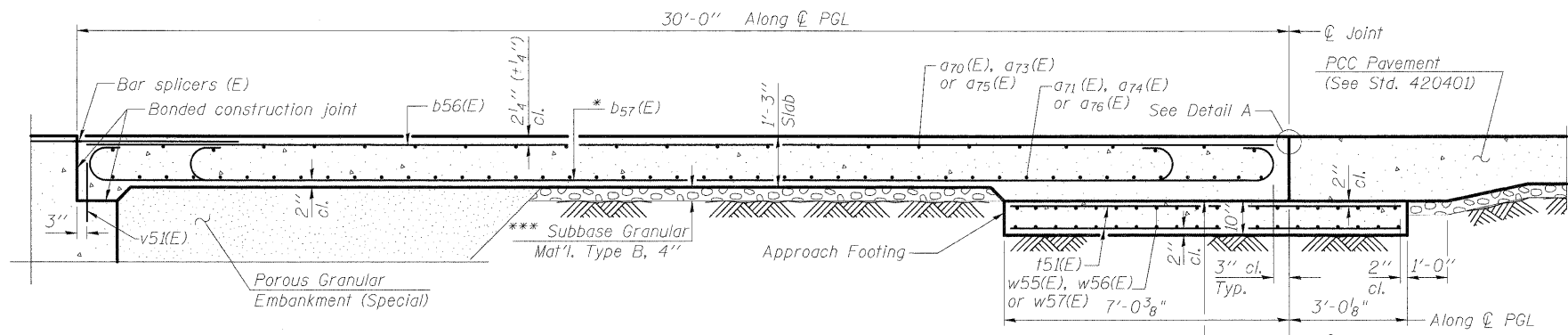


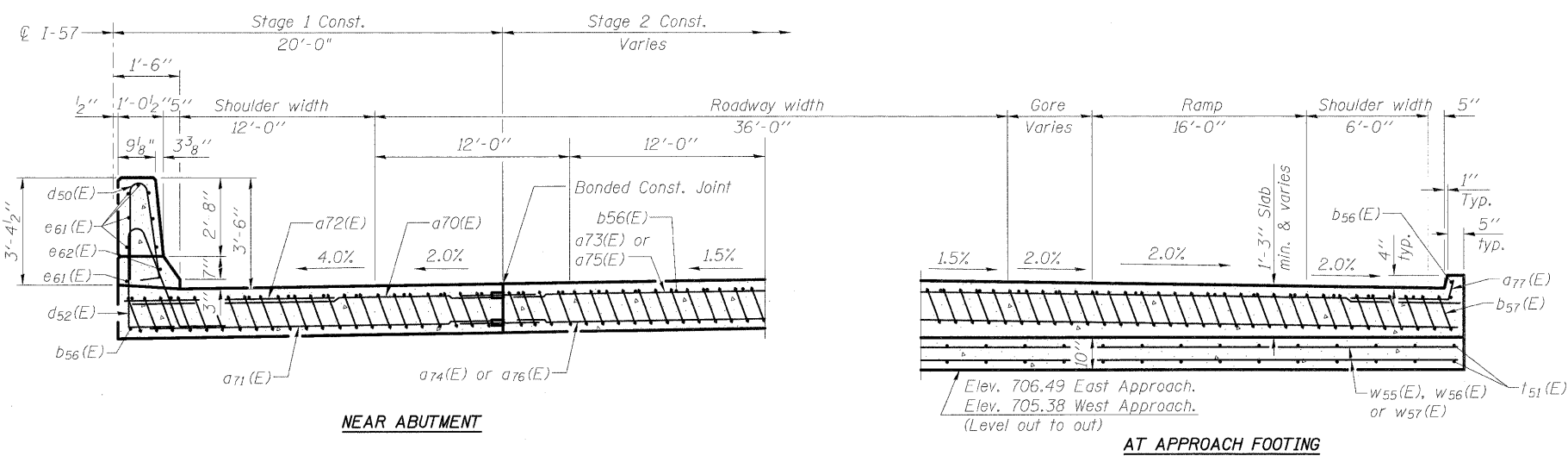
**STATE OF ILLINOIS
DEPARTMENT OF TRANSPORTATION**

Notes:
 Approach slab and parapet concrete shall be paid for as Concrete Superstructure.
 Approach footing concrete shall be paid for as Concrete Structures.
 Reinforcement shall be paid for as Reinforcement Bars, Epoxy Coated.
 For v51(E) bar details, see sheets SR-32 & SR-34 of SR-48.
 The approach footing maximum applied service bearing pressure (Qmax) = 2.0 ksf.
 For bar splicer details, see sheet SR-43 of SR-48.
 Cost of excavation for approach footing included with Concrete Structures.
 For Porous Granular Embankment (Special) and drainage treatment details, see sheet SR-2 of SR-48.
 For additional parapet details, see sheet SR-16 of SR-48.

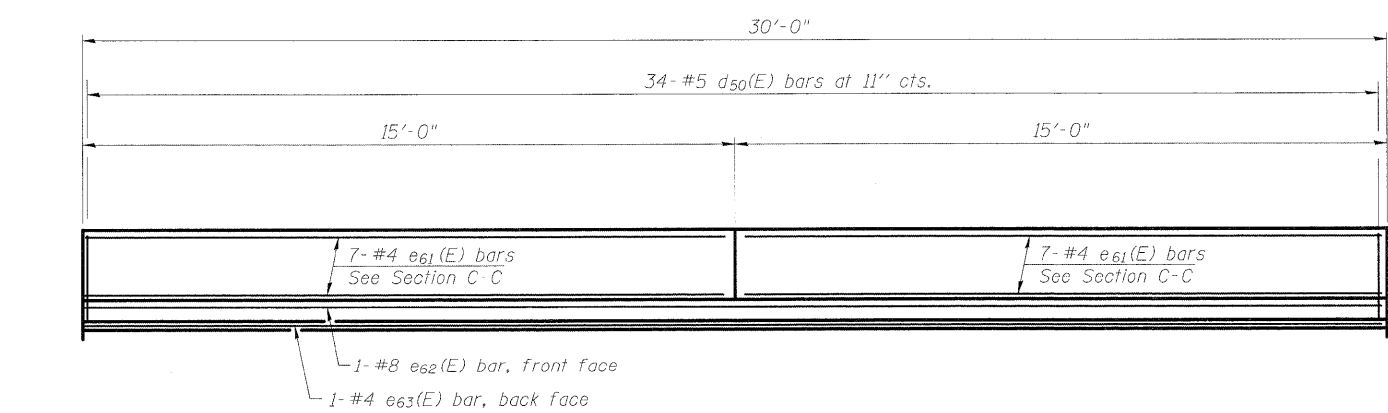


SECTION B-B

* Tilt #9 b57(E) bars as required to maintain clearance.
 *** Cost included with Concrete Superstructure.

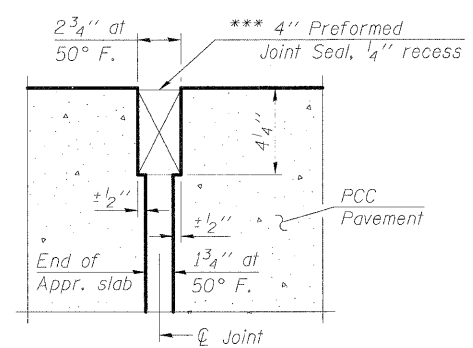


SECTION C-C
(See Plan for dimensions not shown)



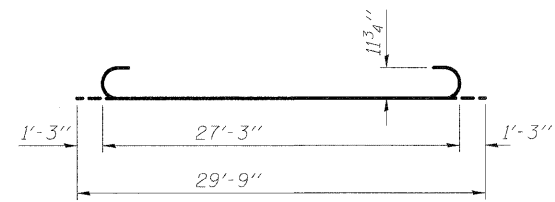
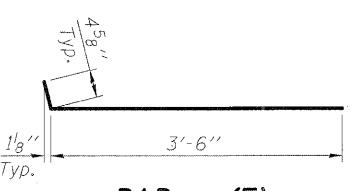
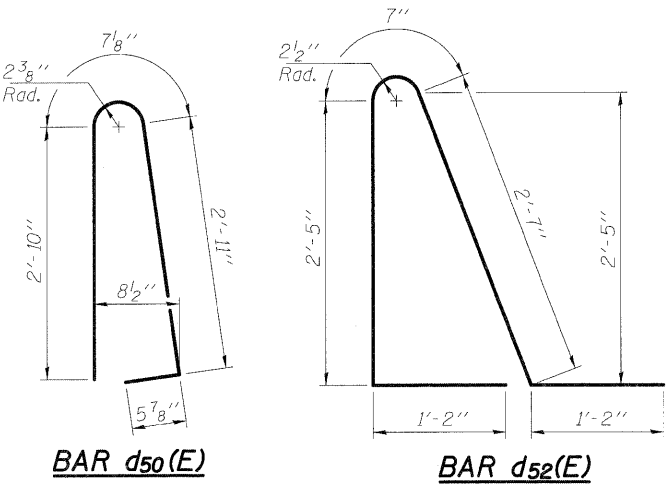
VIEW D-D

West Approach shown, East Approach similar.



DETAIL A

*** Cost included with Concrete Superstructure.



**SOUTHBOUND APPROACHES
BILL OF MATERIAL**

Bar	Stage 1 No.	Stage 2 No.	Size	Length	Shape
a70(E)	50		#4	19'-8"	
a71(E)	92		#5	19'-8"	
a72(E)	48		#6	6'-6"	
a73(E)		75	#4	25'-3"	
a74(E)		138	#5	25'-5"	
a75(E)		75	#4	21'-7"	
a76(E)		138	#5	21'-9"	
a77(E)		50	#4	4'-1"	
b56(E)	36	109	#4	29'-8"	
b57(E)	98	314	#9	29'-9"	
d50(E)	68		#5	6'-10"	
d52(E)	68		#5	7'-11"	
e61(E)	28		#4	14'-8"	
e62(E)	2		#8	29'-8"	
e63(E)	2		#4	29'-8"	
t51(E)	84	266	#4	9'-8"	
w55(E)	80		#5	19'-8"	
w56(E)		120	#5	25'-8"	
w57(E)		80	#5	30'-10"	
Concrete Superstructure				Cu. Yd.	277
Concrete Structures				Cu. Yd.	52
* Reinforcement Bars, Epoxy Coated				Pound	68,036

* Includes 9,686 lbs. for Approach Footing. Quantity included with substructure.

**APPROACH SLAB DETAILS (SB)
STRUCTURE NO. 046-0146 (S.B.)
& STRUCTURE NO. 046-0147 (N.B.)**

DESIGNED	RJ/PMH
CHECKED	MJL
DRAWN	RJ/PMH
CHECKED	MJL

McDonough Associates Inc.
Engineers / Architects
130 East Randolph Street
Chicago, Illinois 60601
(312) 946-8600

SHEET NO. SR-25 SHEETS SR-48	F.A.I. RTE.	SECTION	COUNTY	TOTAL SHEETS	SHEET NO.
	57	(46-2) VBR	KANKAKEE	558	352
	CONTRACT NO. 66409				
FED. ROAD DIST. NO. 3 ILLINOIS FED. AID PROJECT					