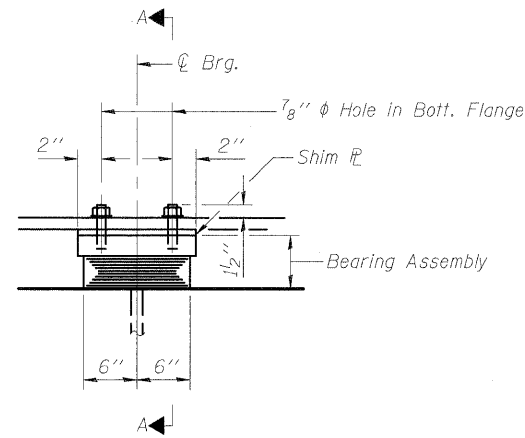
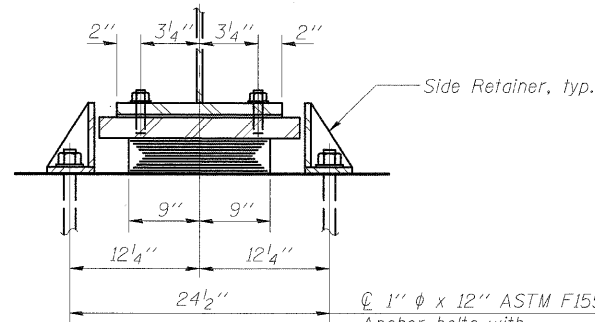


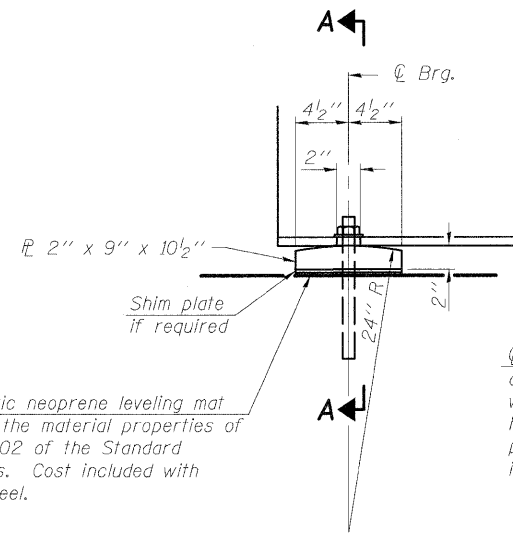
STATE OF ILLINOIS
DEPARTMENT OF TRANSPORTATION



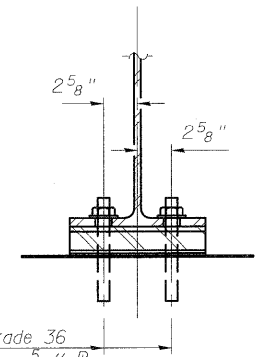
ELEVATION AT PIERS



SECTION A-A



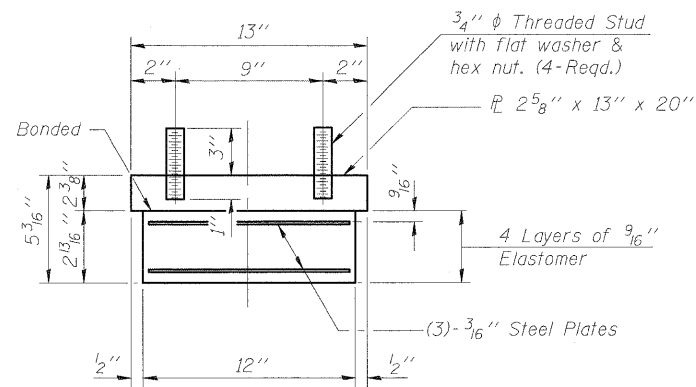
ELEVATION AT ABUTMENT



SECTION A-A

TYPE I ELASTOMERIC EXP. BRG. @ PIERS 1 & 2

No. required = 44



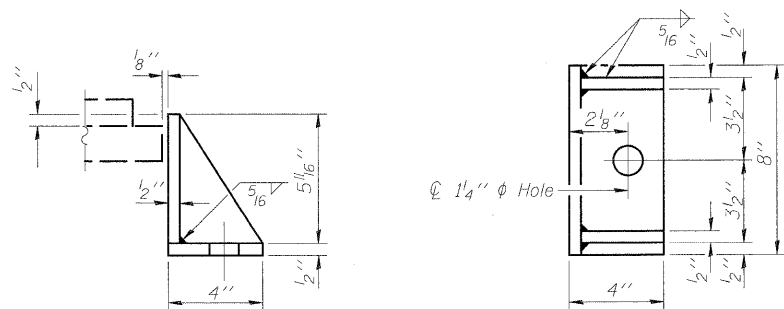
BEARING ASSEMBLY

Note:
Shim plates shall not be placed under Bearing Assembly.

Notes:
Anchor bolts shall be ASTM F1554 all-thread (or an Engineer-approved alternate material) of the grade(s) and diameter(s) specified. ASTM A307 Grade C anchor bolts may be used in lieu of ASTM F1554 Grade 36 (Fy=36ksi). The corresponding specified grade of AASHTO M314 anchor bolts may be used in lieu of ASTM F1554.
Anchor bolts for side retainers may be cast in place or installed in holes drilled before or after members are in place.
Drilled and set anchor bolts shall be installed according to Article 521.06 of the Standard Specifications.
Side retainers and other steel members required for the bearing assembly shall be included in the cost of Elastomeric Bearing Assembly, Type I.
Two 1/8 in. adjusting shims shall be provided for each bearing in addition to all other plates or shims and placed as shown on bearing details.

FIXED BEARING

No. required = 44



SIDE RETAINER

Equivalent rolled angle with stiffeners will be allowed in lieu of welded plates.
No. required = 88

SHIM PLATE THICKNESS TABLE

Location	Beam 7	Beam 17
E. Abut.	1/4"	3/8"
Pier 1	1/4"	1/4"
Pier 2	3/8"	3/8"
W. Abut.	3/8"	3/8"

BILL OF MATERIAL

Item	Unit	Total
Elastomeric Bearing Assembly Type I	Each	44
Anchor Bolts 1" ϕ	Each	176

**BEARING DETAILS
STRUCTURE NO. 046-0146 (S.B.)
& STRUCTURE NO. 046-0147 (N.B.)**

DESIGNED	PMH
CHECKED	MJL
DRAWN	PMH
CHECKED	MJL

McDonough Associates Inc.
Engineers / Architects
130 East Randolph Street
Chicago, Illinois 60601
(312) 946-8600

SHEET NO.	F.A.I. RTE.	SECTION	COUNTY	TOTAL SHEETS	SHEET NO.
SR-31	57	(46-2) VBR	KANKAKEE	558	358
SR-48			CONTRACT NO. 66409		
FED. ROAD DIST. NO. 3 ILLINOIS FED. AID PROJECT					