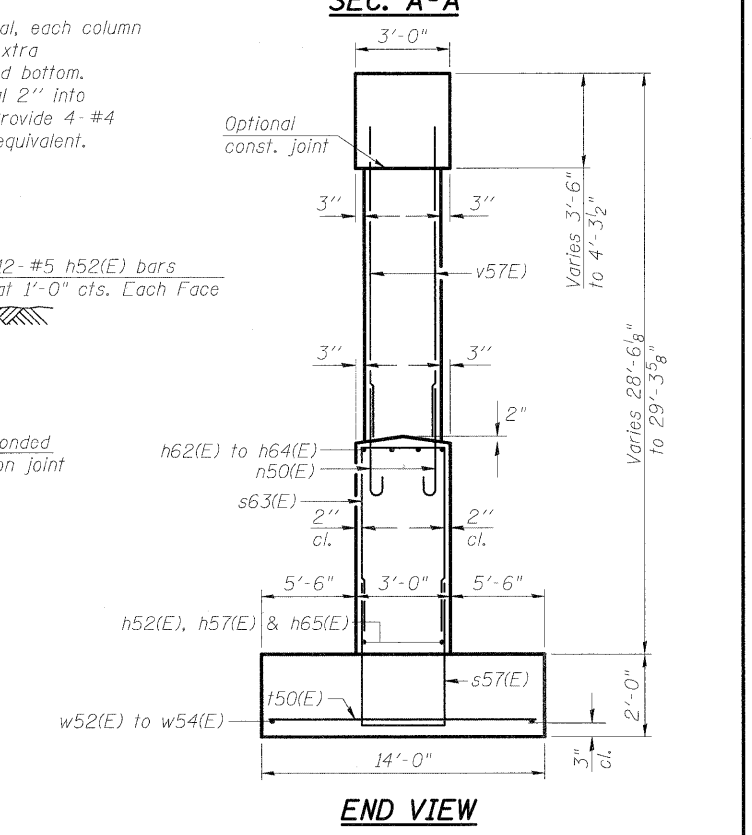
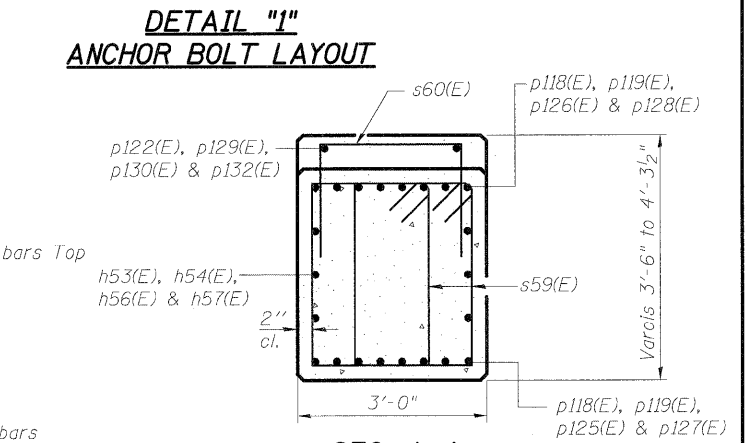
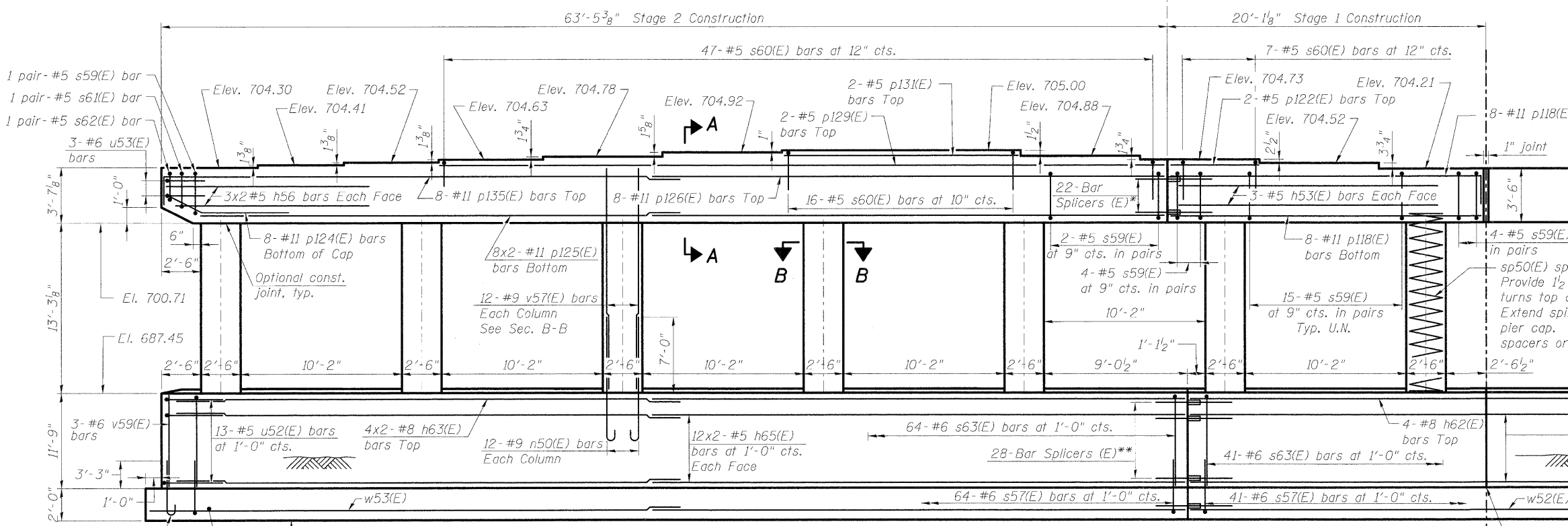
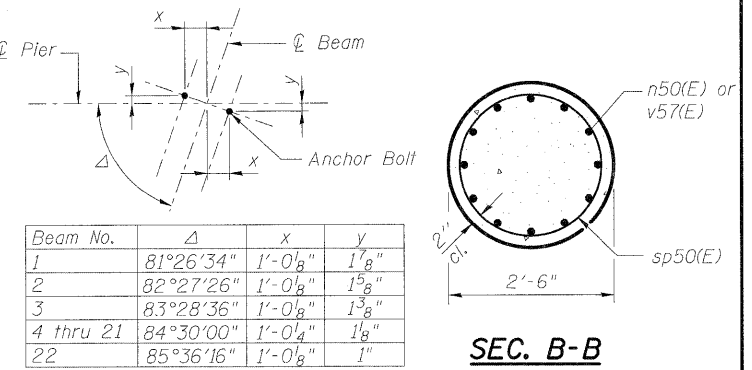
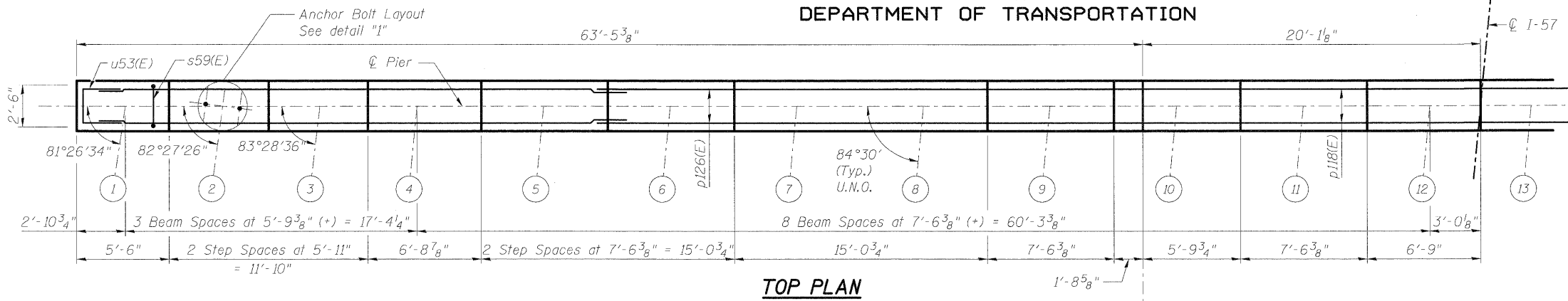


STATE OF ILLINOIS  
DEPARTMENT OF TRANSPORTATION

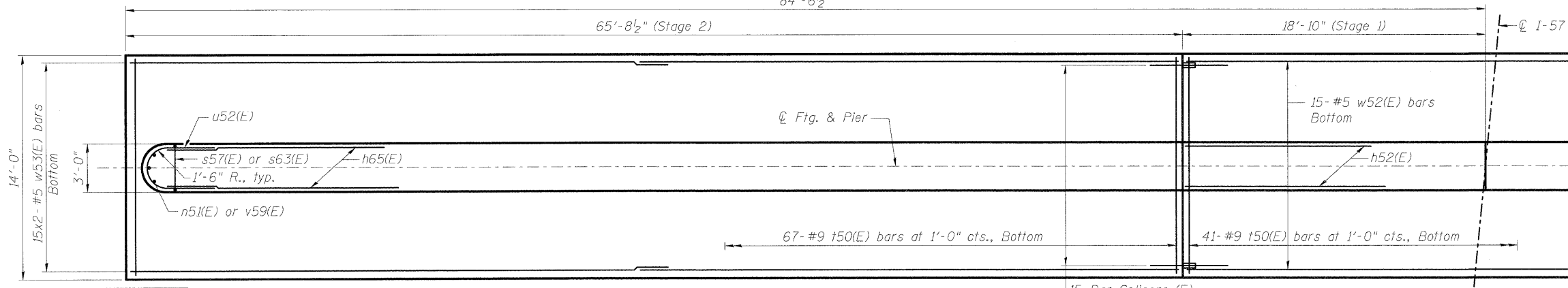


**PIER 2 ELEVATION (SB)**  
Looking west  
84'-6 1/2"

\*8 for #11 bars (Top)  
8 for #11 bars (Bot.)  
6 for #5 bars

\*\*4 for #8 bars (Top)  
22 for #5 bars

Beveled, bonded construction joint



**FOOTING PLAN**  
Maximum Applied Service Bearing Pressure = 2.86 ksf

DESIGNED	MGB
CHECKED	PMH
DRAWN	PMH
CHECKED	MJL

**MINIMUM BAR LAP**  
(Pier)

Top bars	Other bars
#5 bar = 2'-11"	#5 bar = 2'-7"
#8 bar = 6'-2"	#6 bar = 3'-1"
#9 bar = 6'-10"	#9 bar = 6'-10"
#11 bar = 15'-1"	#11 bar = 13'-4"

Notes:  
Space reinforcement in cap to miss anchor bolts.  
Pour steps monolithically with cap.  
For Bill of Material, see sheet SR-40 of SR-48.  
Work with sheet SR-40.

**McDonough Associates Inc.**  
Engineers / Architects  
130 East Randolph Street  
Chicago, Illinois 60601  
(312) 946-8600

SHEET NO. SR-39 SHEETS SR-48	F.A.I. RTE.	SECTION	COUNTY	TOTAL SHEETS	SHEET NO.
	57	(46-2) VBR	KANKAKEE	558	366
CONTRACT NO. 66409					
FED. ROAD DIST. NO. 3 ILLINOIS FED. AID PROJECT					