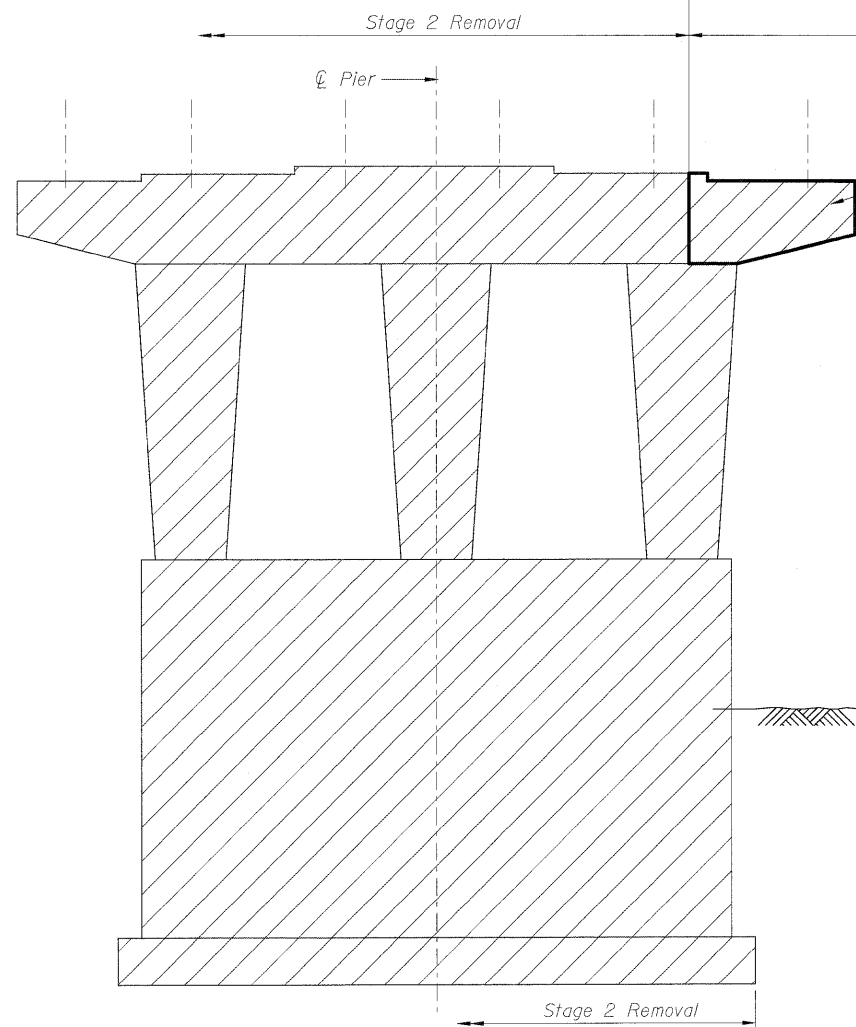
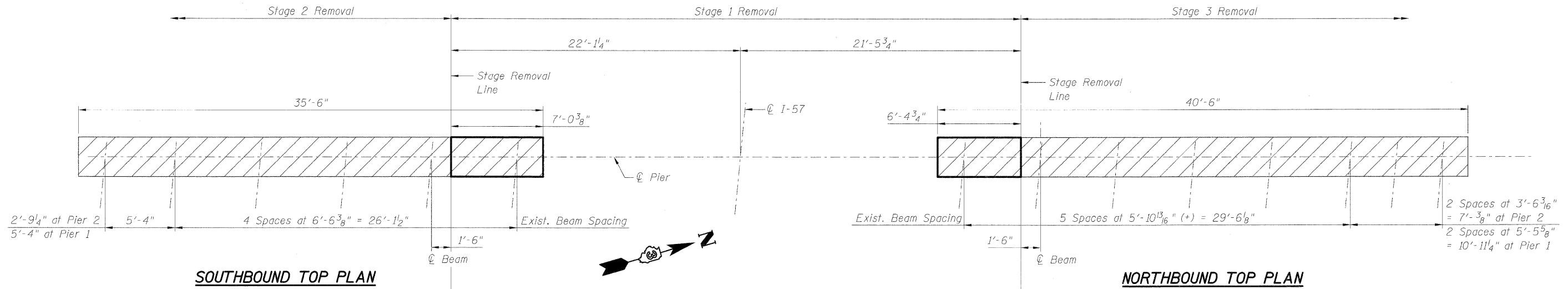
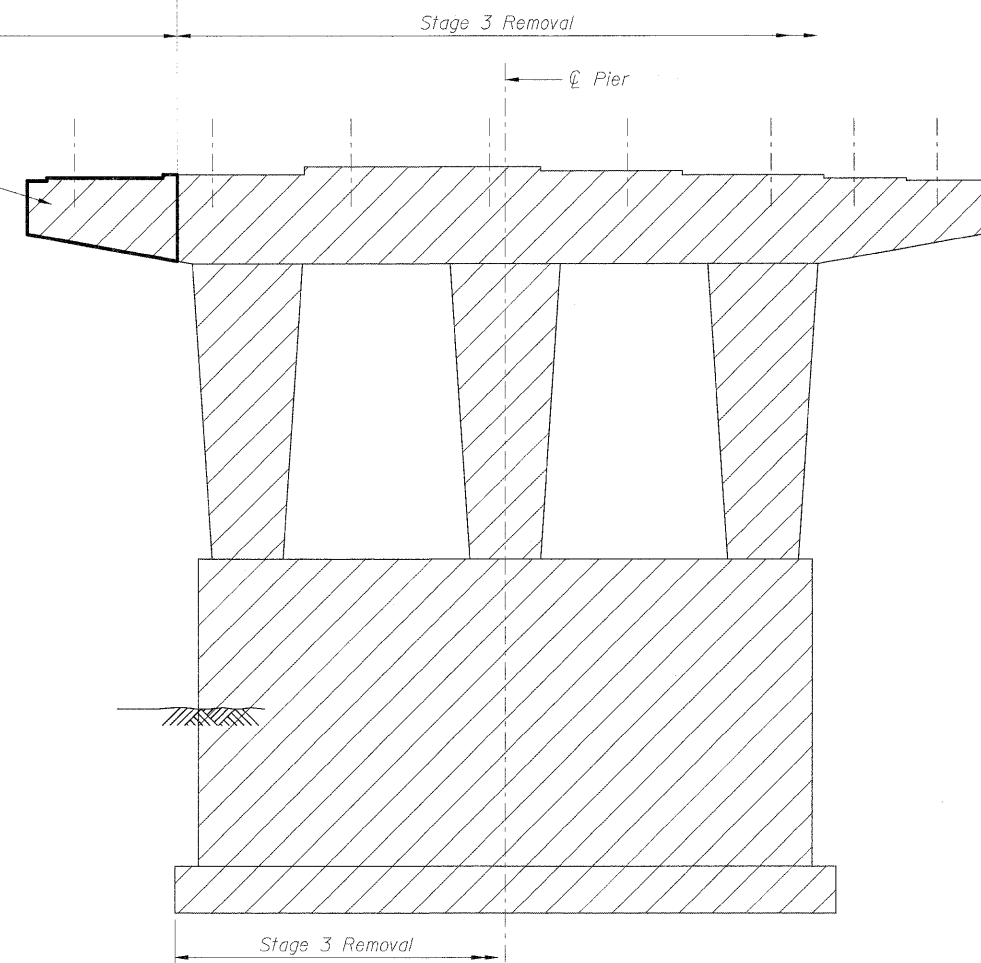


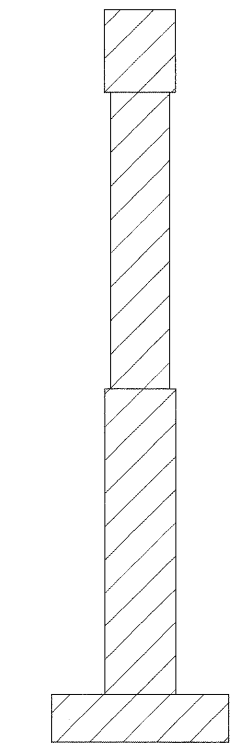
STATE OF ILLINOIS
DEPARTMENT OF TRANSPORTATION



SOUTHBOUND ELEVATION



NORTHBOUND ELEVATION



SECTION THRU PIER

EXISTING PIER 2 SHOWN
Looking west
EXISTING PIER 1 SIMILAR

LEGEND

 Stage Concrete Removal



McDonough Associates Inc.
Engineers / Architects
130 East Randolph Street
Chicago, Illinois 60601
(312) 946-8600

DESIGNED	RJ
CHECKED	PMH
DRAWN	RJ
CHECKED	PMH

SHEET NO. SR-41 SHEETS SR-48	F.A.I. RTE.	SECTION	COUNTY	TOTAL SHEETS	SHEET NO.
	57	(46-2) VBR	KANKAKEE	558	368
CONTRACT NO. 66409					
FED. ROAD DIST. NO. 3 ILLINOIS FED. AID PROJECT					

PIERS 1 AND 2 REMOVAL
STRUCTURE NO. 046-0146 (S.B.)
& STRUCTURE NO. 046-0147 (N.B.)