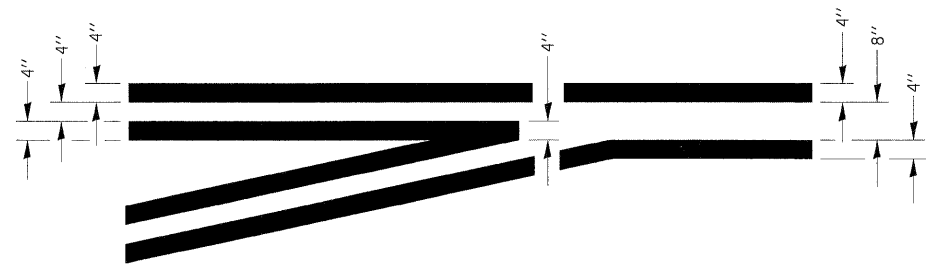
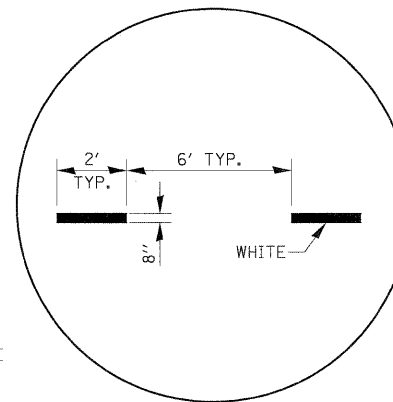


780-19



**TYPICAL APPLICATION
@ LEFT TURN LANES**

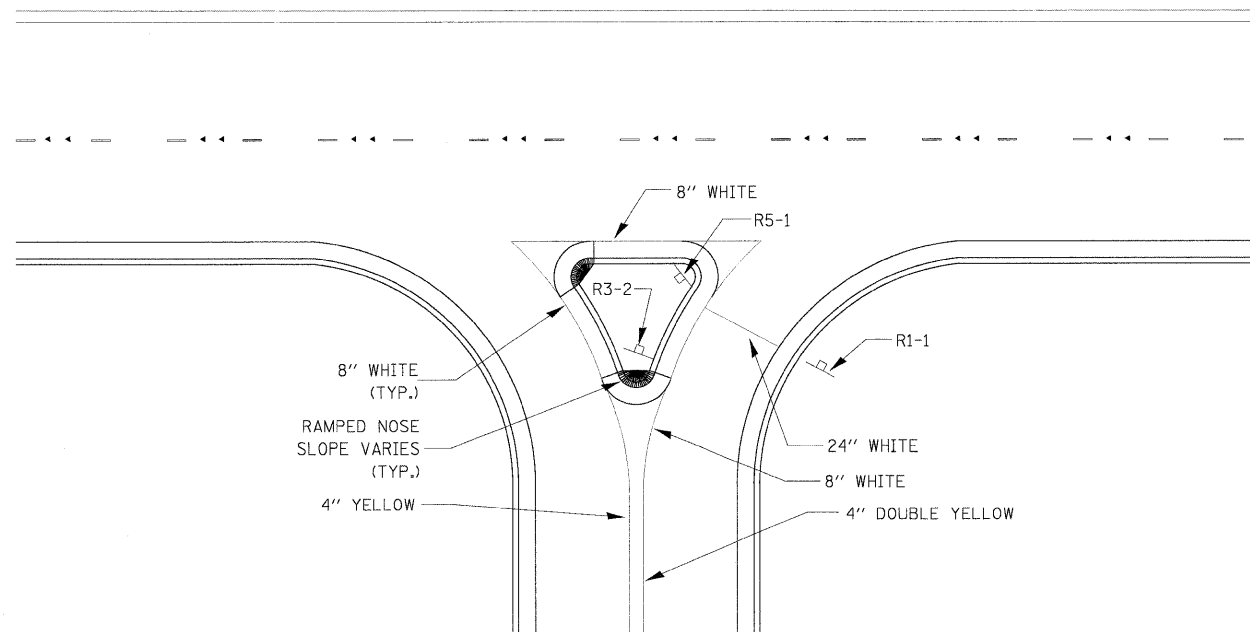
780-1



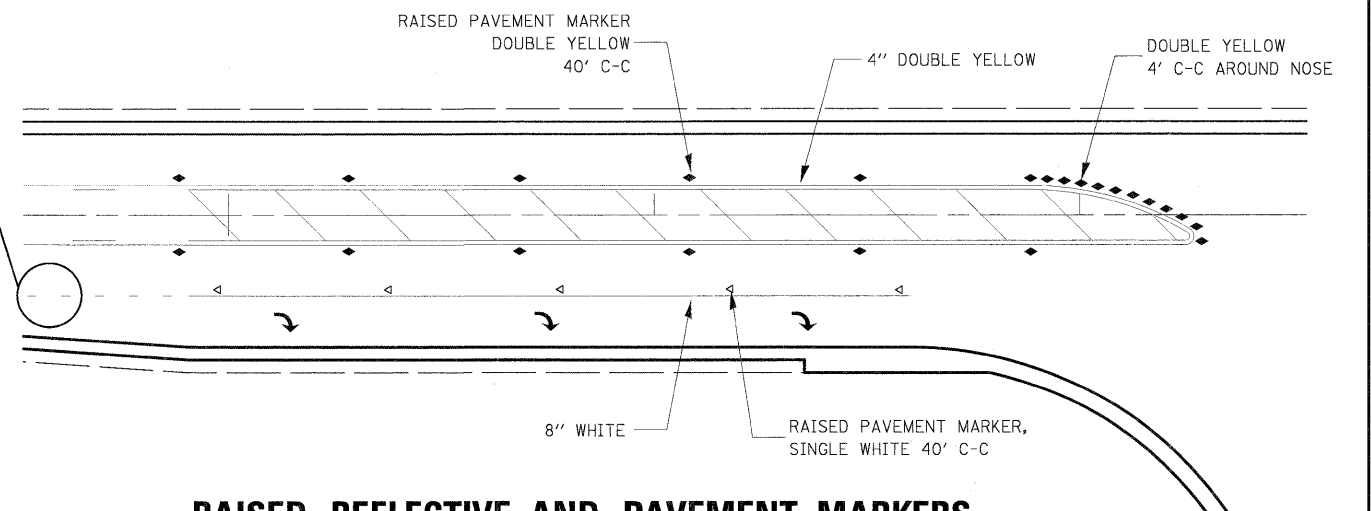
**ADVANCE AND INTERSECTION LANE
DIVIDER LINES**

780-5

URBAN PAVEMENT MARKING



RIGHT IN RIGHT OUT ACCESS PAVEMENT MARKING 780-16



**RAISED REFLECTIVE AND PAVEMENT MARKERS
@ RIGHT TURN LANE**

781-1

FILE NAME =	USER NAME = EplgG
I:\Dgn\sheta\799-UPM-2.dgn	
DESIGNED -	REVISOR -
DRAWN -	REVISOR -
CHECKED -	REVISOR -
DATE -	REVISOR -

DESIGNED -	REVISOR -
DRAWN -	REVISOR -
CHECKED -	REVISOR -
DATE -	REVISOR -

DESIGNED -	REVISOR -
DRAWN -	REVISOR -
CHECKED -	REVISOR -
DATE -	REVISOR -

DESIGNED -	REVISOR -
DRAWN -	REVISOR -
CHECKED -	REVISOR -
DATE -	REVISOR -

**STATE OF ILLINOIS
DEPARTMENT OF TRANSPORTATION**

DISTRICT 3 DETAILS URBAN PAVEMENT MARKING			
SCALE:	SHEET NO.	OF SHEETS	STA. TO STA.

F.A. RTE.	SECTION	COUNTY	TOTAL SHEETS	SHEET NO.
57	(46-2) I, HBR, VBR	KANKAKEE	558	401
CONTRACT NO. 66409				
FED. ROAD DIST. NO. 3 ILLINOIS FED. AID PROJECT				