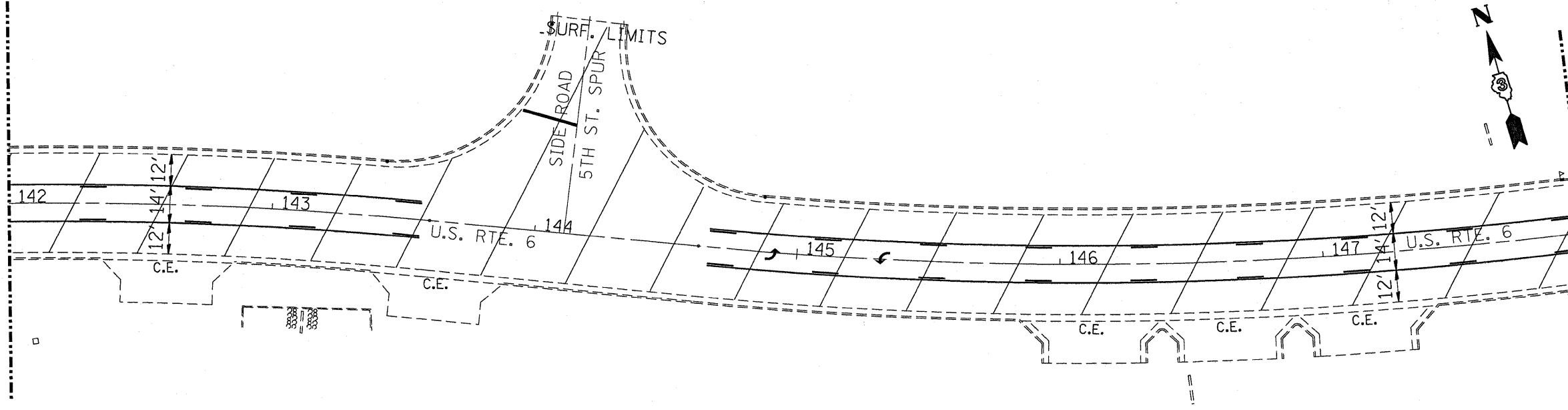


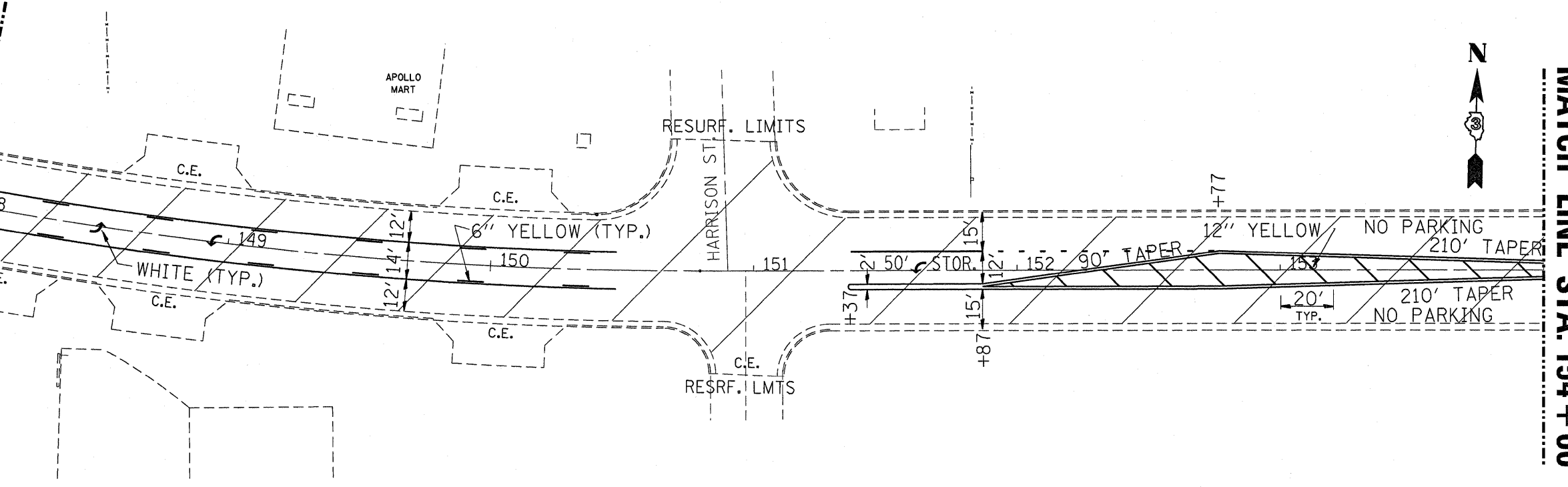
MATCH LINE STA. 142+00



MATCH LINE STA. 148+00

RESURFACING LIMITS

MATCH LINE STA. 148+00



MATCH LINE STA. 154+00

FILE NAME =	USER NAME = braboygc	DESIGNED -	REVISED -
ci\pw_work\p\dot\braboygc\d0173862\sheeta.dgn		DRAWN -	REVISED -
PLOT SCALE = 23.915' / IN.		CHECKED -	REVISED -
PLOT DATE = Feb 10, 2011 - 04:06:04 PM		DATE -	REVISED -

**STATE OF ILLINOIS
DEPARTMENT OF TRANSPORTATION**

PAVEMENT MARKINGS STA. 142+00 TO STA. 154+00

F.A.P. RTE.	SECTION	COUNTY	TOTAL SHEETS	SHEET NO.
623	17RS-3; 33RS-5; (34)RS		55	26
CONTRACT NO. 66A10			ILLINOIS FED. AID PROJECT BUREAU/LASALLE	

SCALE: SHEET NO. OF SHEETS STA. TO STA.