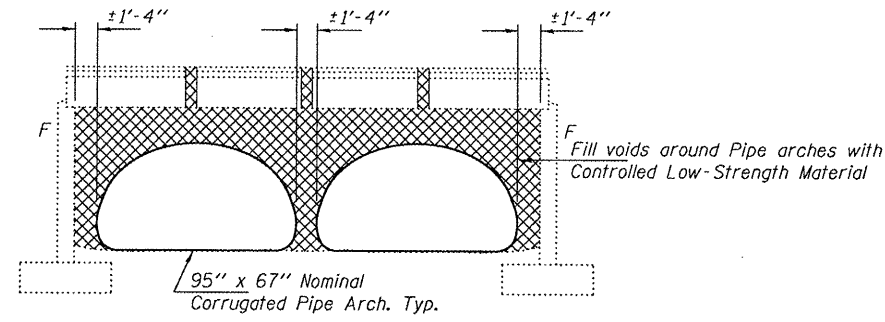
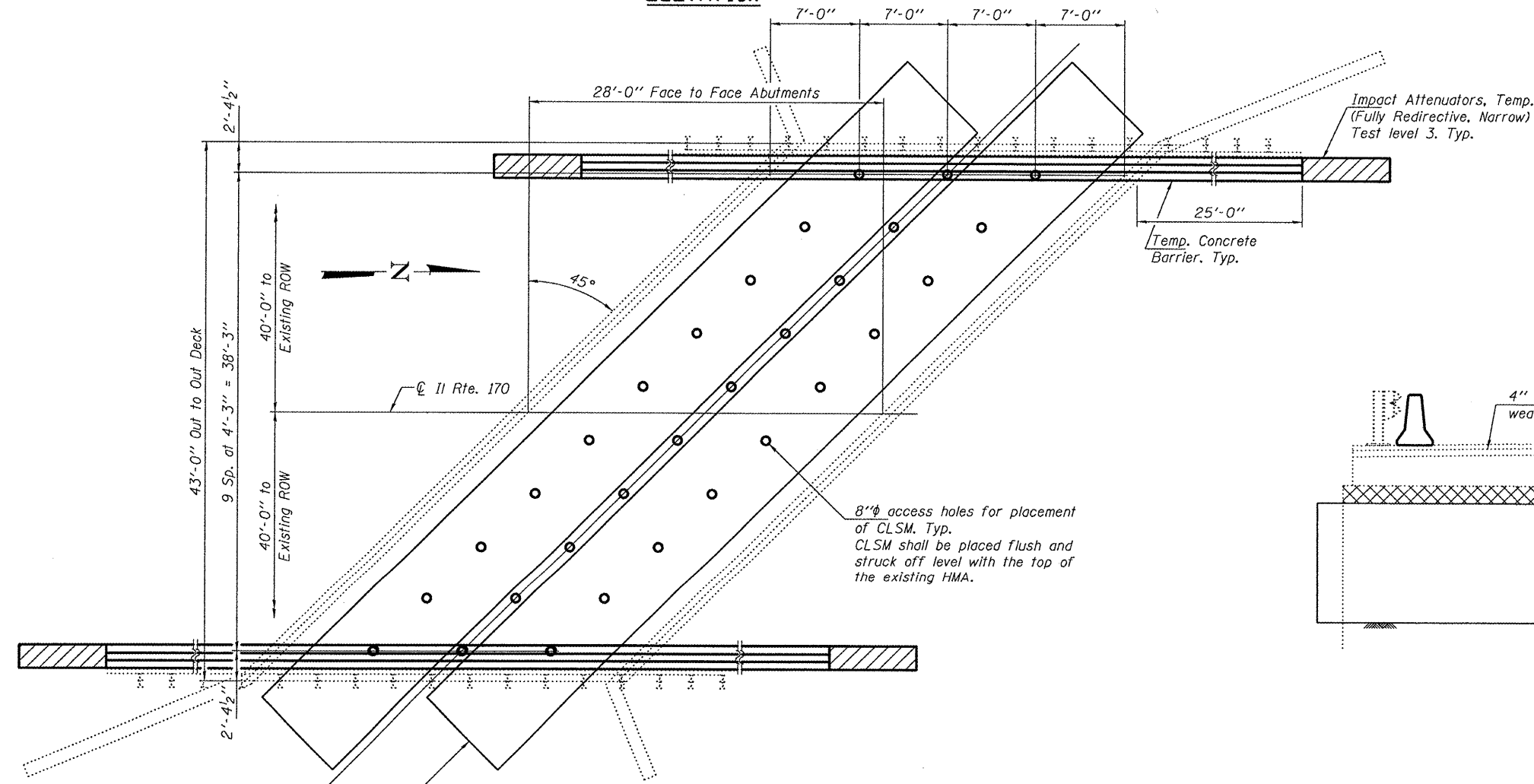


**GENERAL NOTES**

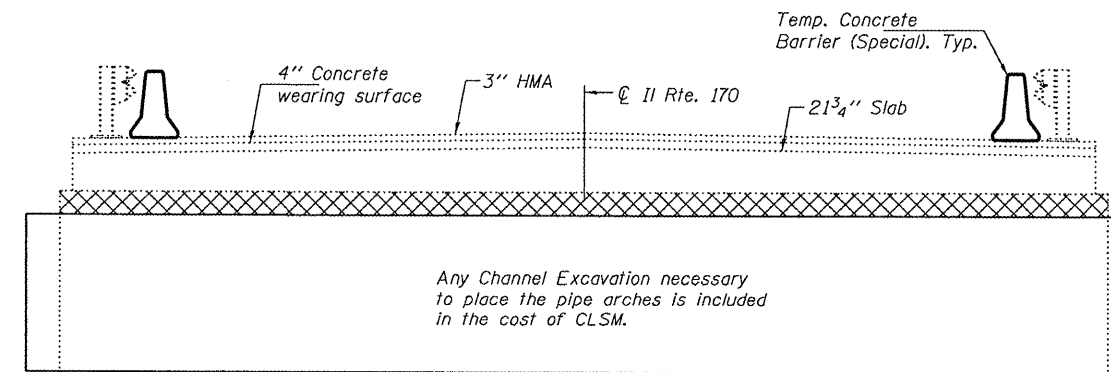
Plan dimensions and details relative to existing plans are subject to nominal construction variations. The Contractor shall field verify existing dimensions and details affecting new construction and make necessary approved adjustments prior to construction or ordering of materials. Such variations shall not be cause for additional compensation for a change in scope of the work, however, the Contractor will be paid for the quantity actually furnished at the unit price bid for the work.



**ELEVATION**



**PLAN**



**SECTION THRU DECK**

Pipe shall be cut flush with edge of deck after the CLSM has cured. Typ.

**TOTAL BILL OF MATERIAL**

ITEM	UNIT	QUANTITY
Temporary Concrete Barrier (Install only)	Foot	156
Controlled Low-Strength Material	Cu. Yd.	228.0
Corrugated Structural Plate Pipe Arches 37 Sq. Ft.	Foot	142
Impact Attenuators, Temp. (Fully Redirective, Narrow) Test level 3	Each	4



Expires: November 30, 2012

DESIGNED - [Signature]	EXAMINED - [Signature]	DATE - MARCH 23, 2011
CHECKED - [Signature]	PASSED - [Signature]	
DRAWN - baliva		
CHECKED - [Signature]		

STATE OF ILLINOIS  
DEPARTMENT OF TRANSPORTATION

GENERAL PLAN & ELEVATION  
SN 050-0072

F.A.P. RTE. 786	SECTION 110-B1	COUNTY LaSALLE	TOTAL SHEETS 5	SHEET NO. 5
CONTRACT NO. 66B22			ILLINOIS FED. AID PROJECT	

SHEET NO. 1 OF 1 SHEETS