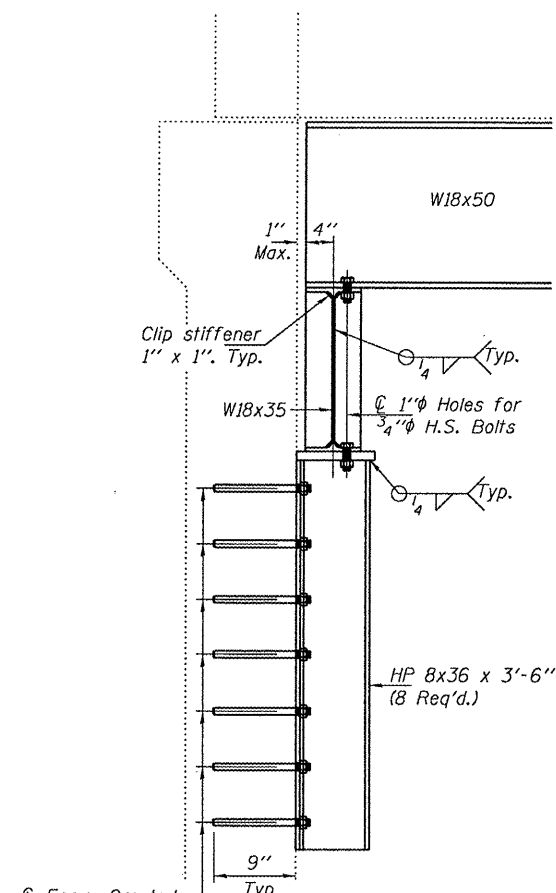
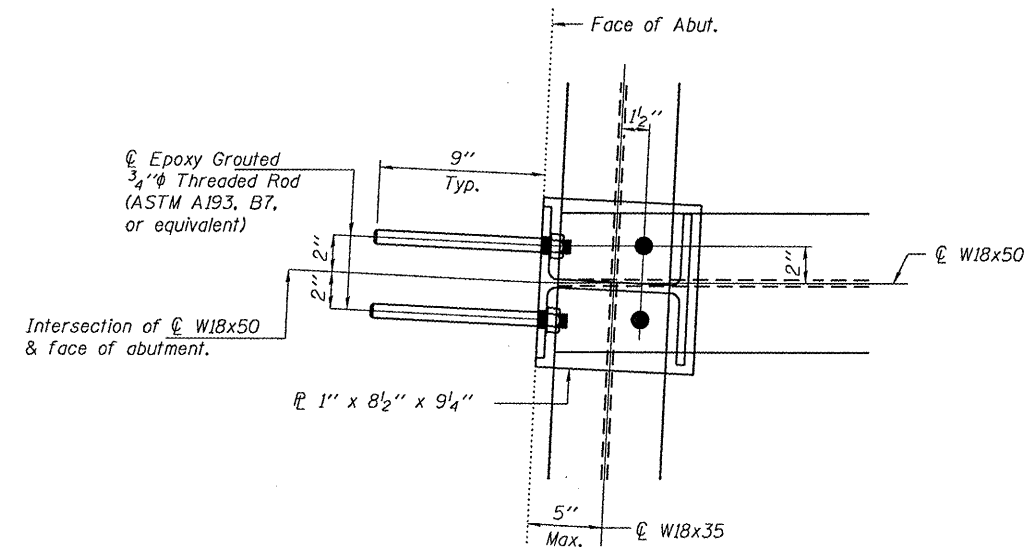


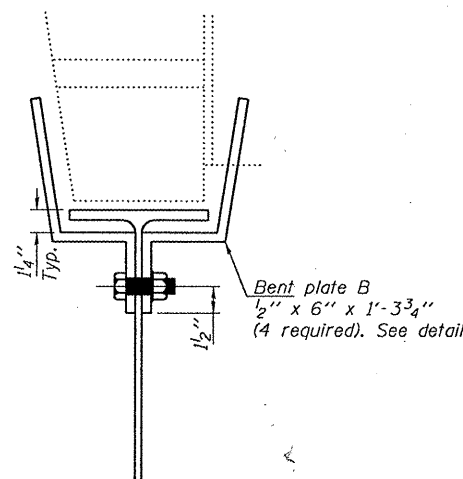
SECTION A-A



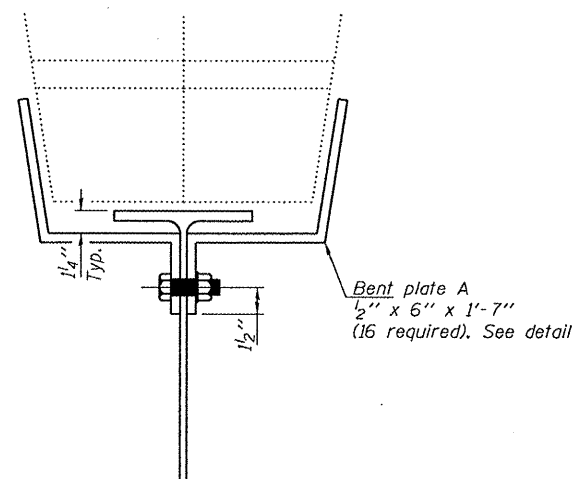
SECTION B-B



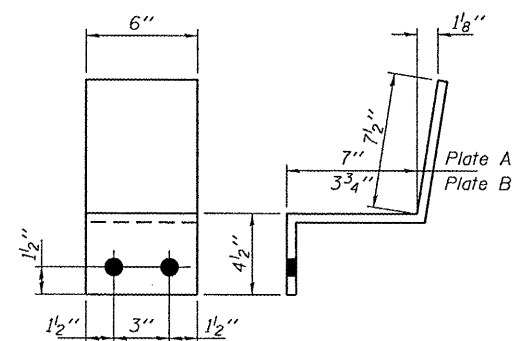
TYPICAL SECTION AT END OF SUPPORT BEAMS



SECTION D-D



SECTION C-C



BENT PLATE A & B

Place shims at 1/4 points. Securely weld shims to top flange of support beam. Minimum shim size is 6 inch x 9 inch.

DESIGNED - GGE	EXAMINED - <i>Joanne F. DeLuff</i>	DATE - MARCH 14, 2011
CHECKED - IJL	ACTING ENGINEER OF STRUCTURAL SERVICES	
DRAWN - baliva	PASSED - <i>Carl Pinner</i>	
CHECKED - GGE IJL	ACTING ENGINEER OF BRIDGES AND STRUCTURES	

STATE OF ILLINOIS  
DEPARTMENT OF TRANSPORTATION

REPAIR DETAILS  
SN 038-0172

F.A.P. RTE.	SECTION	COUNTY	TOTAL SHEETS	SHEET NO.
681	(117-BR-11)	IRROOUIS	6	6
CONTRACT NO. 66B24				
ILLINOIS FED. AID PROJECT				

SHEET NO. 2 OF 2 SHEETS