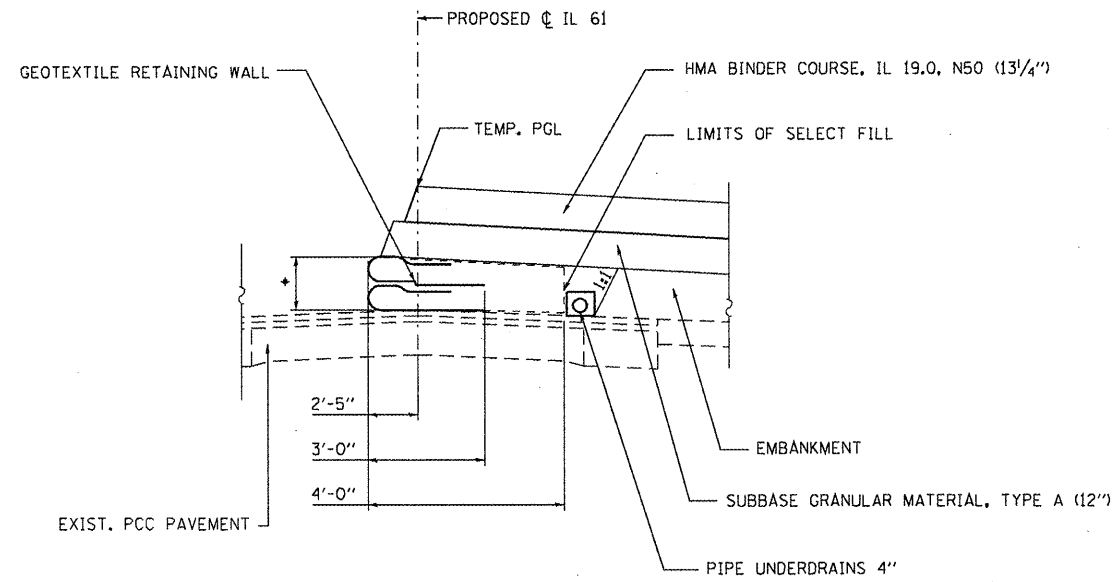
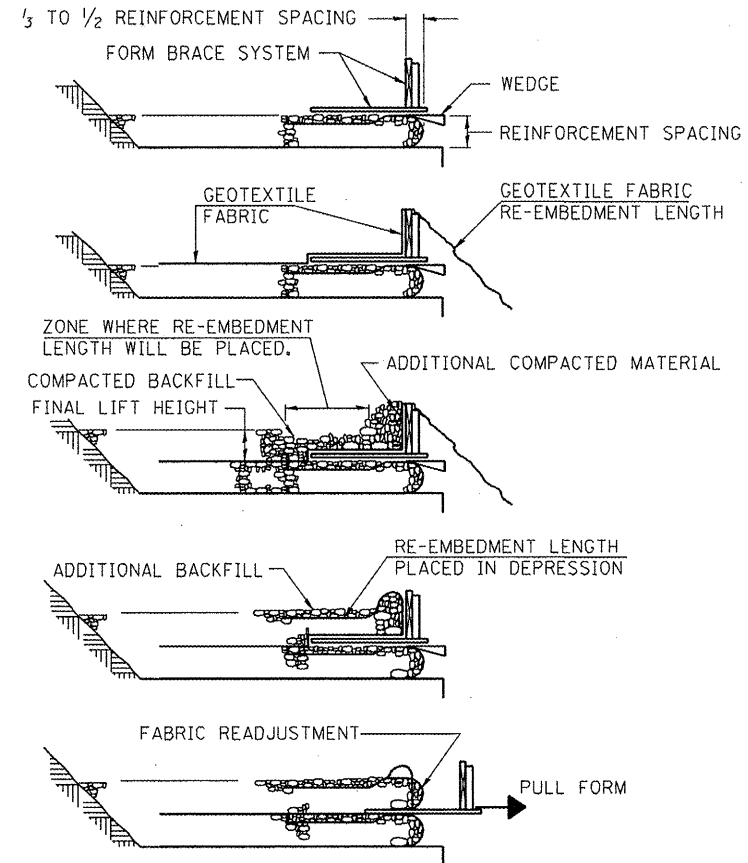


- VARIES 1'-6" AT STA. 755+33.00 TO 2'-5" AT STA. 755+87.42
- VARIES 2'-8" AT STA. 761+02.58 TO 1'-6" AT STA. 761+96.00



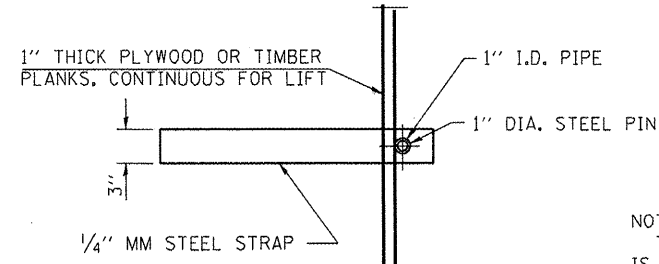
TYPICAL SECTION



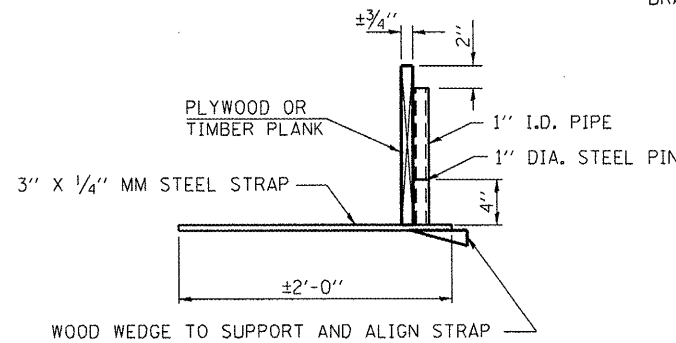
1. PLACE FORM BRACE SYSTEM ON COMPLETED REINFORCEMENT LEVEL; BACK FROM THE FINISHED FABRIC FACE A DISTANCE OF $\frac{1}{3}$ TO $\frac{1}{2}$ THE REINFORCEMENT SPACING.
2. POSITION FABRIC SO THAT THE REQUIRED RE-EMBEDMENT LENGTH EXTENDS OVER THE TOP OF THE FORM BRACE AND THE DESIGN REINFORCEMENT WIDTH IS PLACED WITH NO SLACK AGAINST THE PREVIOUS LEVEL.
3. COMPACT BACKFILL MATERIAL IN LIFTS TO FINAL LIFT HEIGHT. CREATE ($\pm 3''$) DEPRESSION IN ZONE WHERE RE-EMBEDMENT LENGTH WILL BE LOCATED AND PLACE ADDITIONAL HEIGHT OF COMPACTED MATERIAL AGAINST FORM BRACE.
4. FOLD FABRIC RE-EMBEDMENT LENGTH BACK OVER FORM BRACE INTO ZONE WHERE DEPRESSION WAS MADE IN BACKFILL AND PLACE ADDITIONAL COMPACTED BACKFILL, ($\pm 3''$) TO EMBED FABRIC AND BRING TO FINAL LIFT HEIGHT.
5. PULL FORM BRACE OUTWARD ALLOWING FABRIC FACE TO SLIGHTLY READJUST TO FORM TIGHT ROUND FACE AND LEVEL WITH PLAN REINFORCEMENT SPACING.

GEOTEXTILE WALL CONSTRUCTION PROCEDURE

NOTES: THE GEOTEXTILE FABRIC SHALL HAVE A MINIMUM ALLOWABLE TENSILE STRENGTH (T MIN.) OF 45 LB./IN. AS DETERMINED BY THE PROCEDURE STATED IN THE SPECIAL PROVISIONS. THE COMPUTATIONS SUPPORTING THE DETERMINATION OF (T MIN.) SHALL BE SUBMITTED TO THE ENGINEER FOR APPROVAL.



NOTE: THIS IS A SUGGESTED DETAIL. THE CONTRACTOR IS RESPONSIBLE FOR THE DESIGN OF THE FORM BRACE SYSTEM TO BE USED.



SUGGESTED GEOTEXTILE TEMPORARY FORM BRACE SYSTEM DETAIL

BILL OF MATERIAL

ITEM	UNIT	TOTAL
GEOTEXTILE RETAINING WALL	SQ. FT.	303

USER NAME = gjameson	DESIGNED - JAC	REVISED -
PLOT SCALE = 10,000' / IN.	DRAWN - DLH	REVISED -
PLOT DATE = 12/21/2010	CHECKED -	REVISED -
	DATE -	REVISED -

WHKS & CO.
ENGINEERING
7018 KINGSMILL CT.,
SPRINGFIELD, IL
(217) 483-9467
DESIGN FIRM #184001036

STATE OF ILLINOIS
DEPARTMENT OF TRANSPORTATION

GEOTEXTILE RETAINING WALL

SCALE: N.T.S. SHEET NO. 1 OF 1 SHEETS STA. TO STA.

F.A.P. RTE.	SECTION	COUNTY	TOTAL SHEETS	SHEET NO.
542	105BR-1	MCDONOUGH	117	27
CONTRACT NO. 68482			ILLINOIS FED. AID PROJECT	