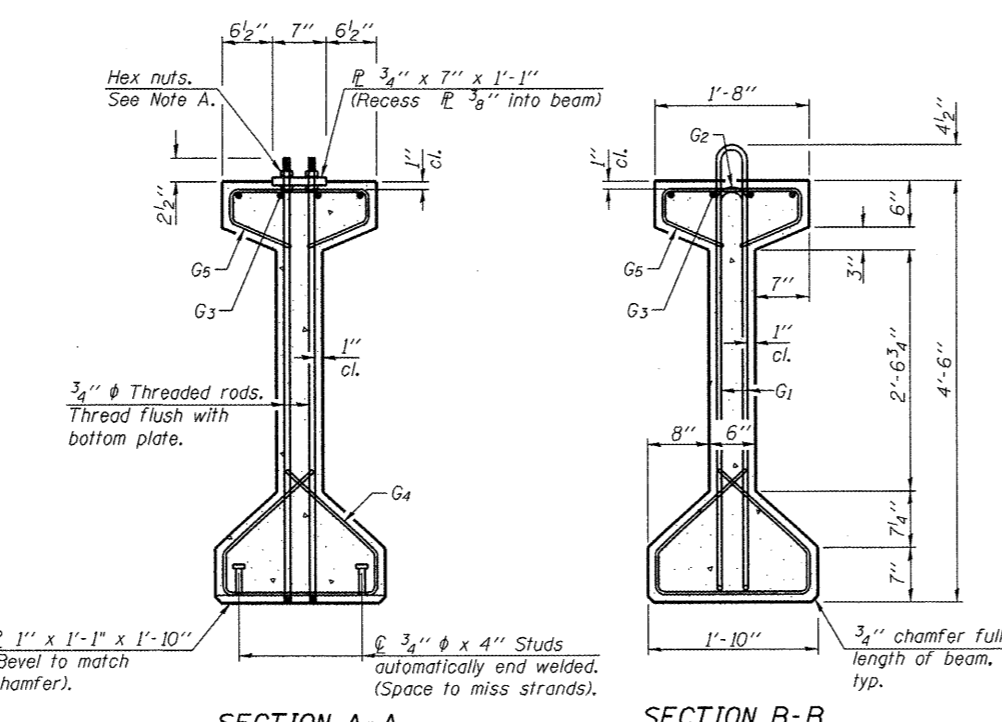
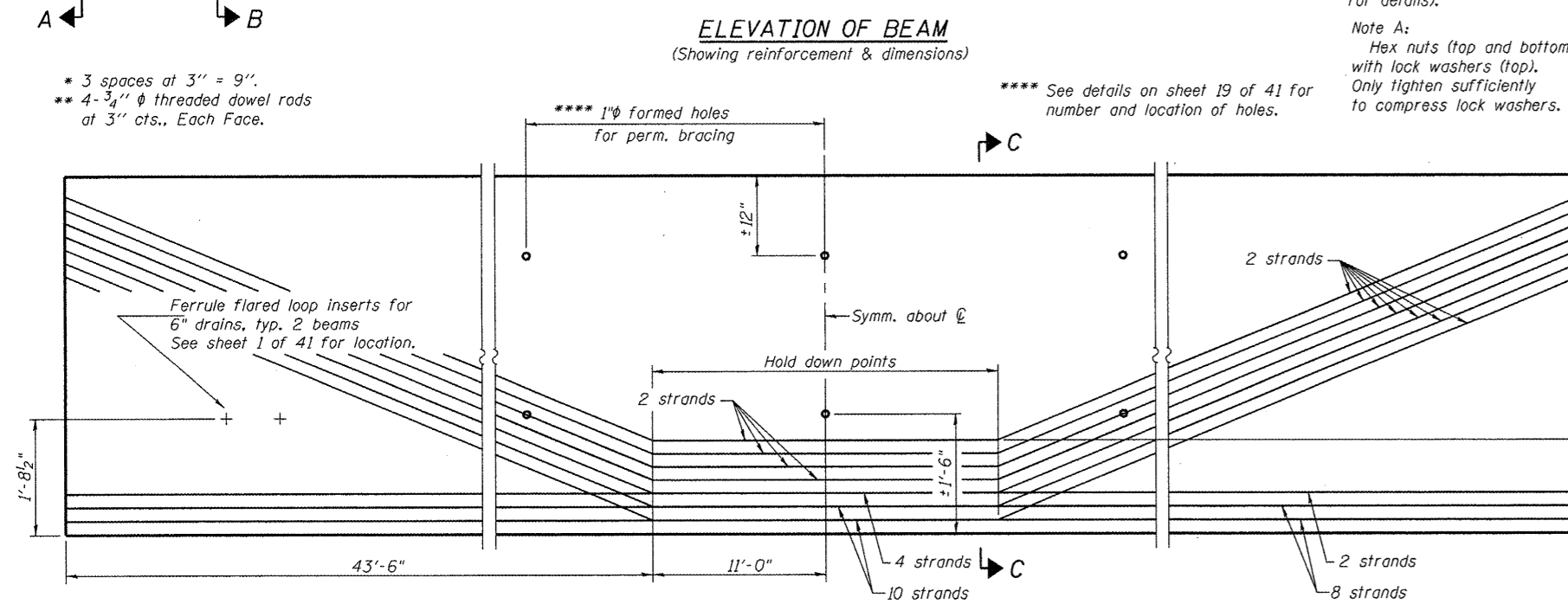


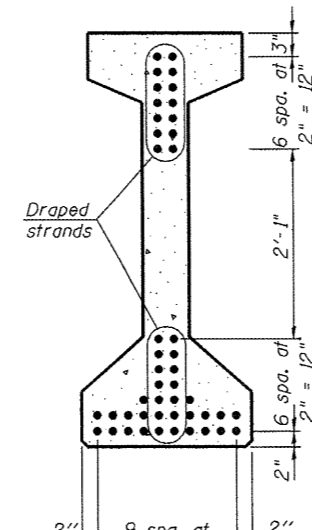
ELEVATION OF BEAM
(Showing reinforcement & dimensions)



SECTION A-A **SECTION B-B**



ELEVATION OF BEAM
(Showing prestressing steel)



SECTION C-C

BAR LIST
ONE BEAM ONLY

Bar	No.	Size	Length	Shape
G1	185	#4	10'-5"	U
G2	14	#4	8'-8"	I
G3	16	#7	29'-9"	I
G4	38	#3	4'-11"	U
G5	110	#3	3'-5"	U
G6	4	#8	6'-6"	U

Notes:
See sheet 22 of 41 for additional details and Bill of Material.
Required release strength, f'cl, shall be 6,000 psi.