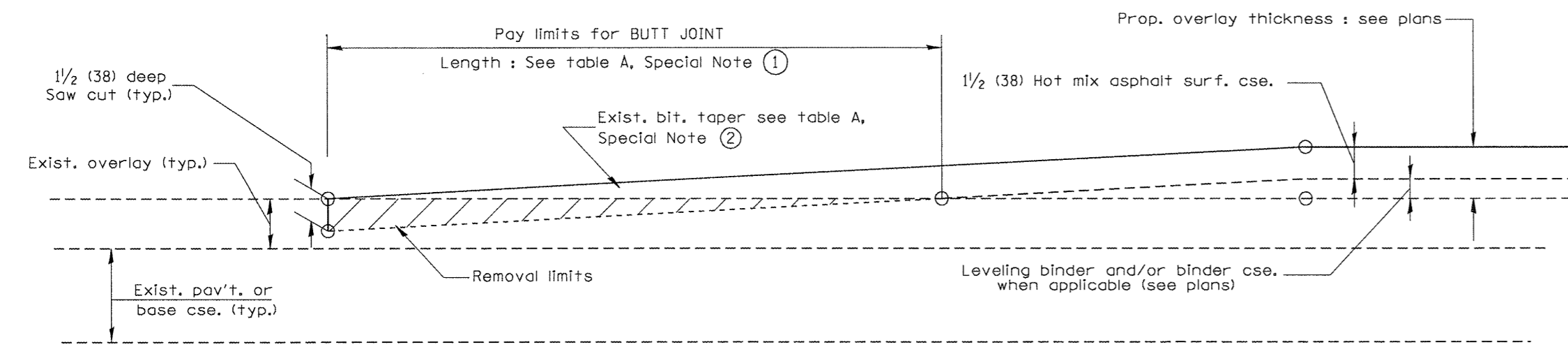
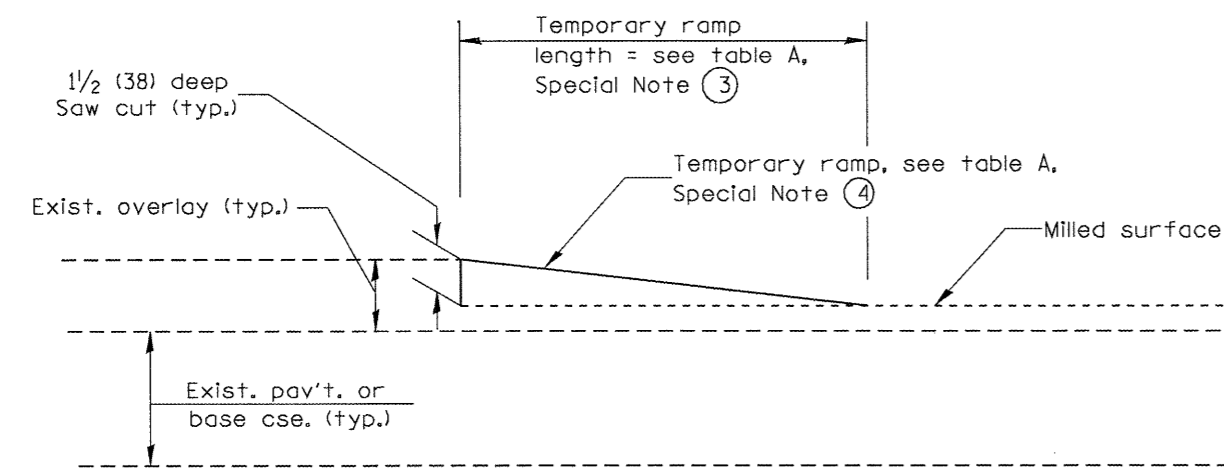


**CASE 3 : WITH HOT MIX ASPHALT SURFACE REMOVAL (COLD MILLING)**  
**TIE-IN TO EXISTING BITUMINOUS TAPER**



**CASE 4 : NO HOT MIX ASPHALT SURFACE REMOVAL (COLD MILLING)**  
**TIE-IN TO EXISTING BITUMINOUS TAPER**



**DETAIL TEMPORARY RAMP**

All dimensions are in inches (millimeters) unless otherwise noted.

USER NAME : g.jameson	DESIGNED -	REVISIONS -		7018 KINGSMILL CT., SPRINGFIELD, IL (217) 483-9457 DESIGN FIRM #184001038	<b>STATE OF ILLINOIS</b> <b>DEPARTMENT OF TRANSPORTATION</b>	<b>BUTT JOINTS</b> <b>DISTRICT 4 STANDARDS</b>	F.A.P. RTE. 542	SECTION 105BR-1	COUNTY MCDONOUGH	TOTAL SHEETS 117	SHEET NO. 109
FILE NAME : D468482-shr-01514	DRAWN -	REVISIONS -					SCALE: N.T.S.	SHEET NO. 2 OF 3 SHEETS	STA. TO STA.	ILLINOIS FED. AID PROJECT	CONTRACT NO. 68482
DATE : 12/21/2010	CHECKED -	REVISIONS -									
PLOT TIME : 11:31:49 AM											