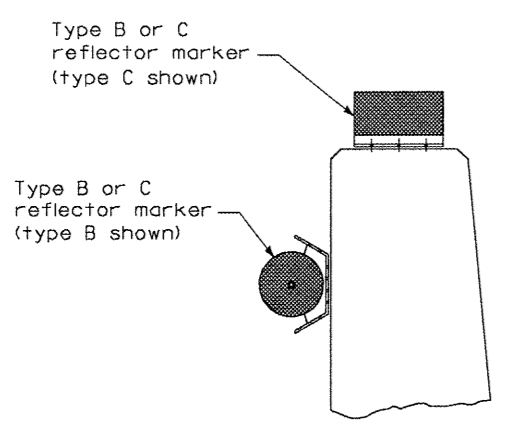
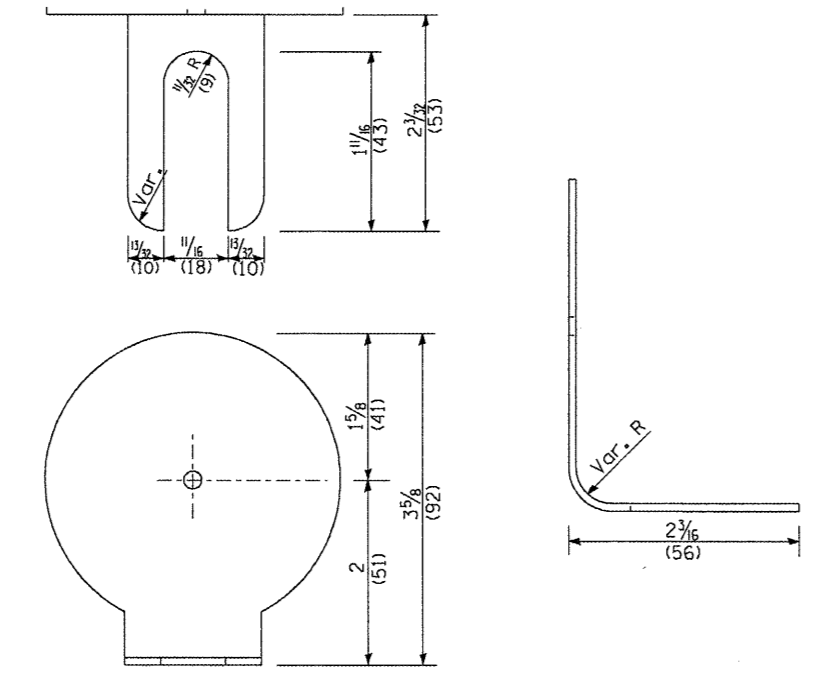


TYPICAL MOUNTING DETAIL FOR BRIDGE RAIL REFLECTOR

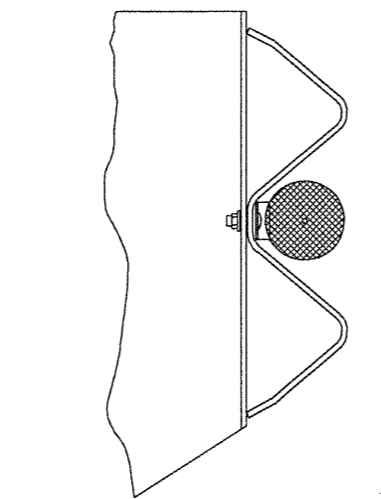


TYPICAL MOUNTING DETAIL FOR BARRIER WALL REFLECTOR

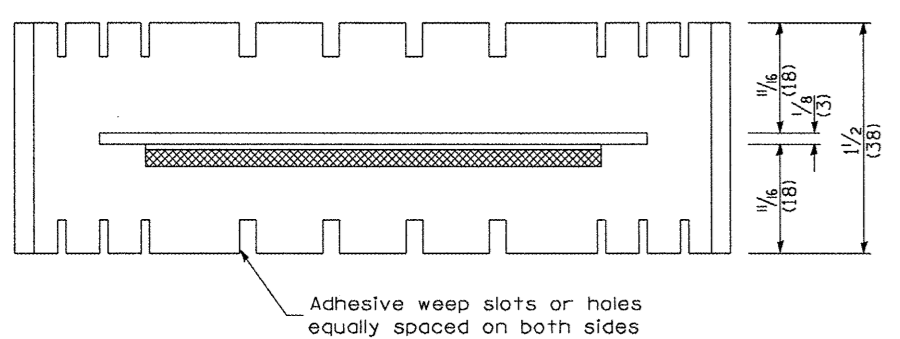


REFLECTOR MARKER TYPE A

Min. reflective area 6 1/2 sq. in. (4,194 mm²) each side. May be rectangular or slight trapezoid.

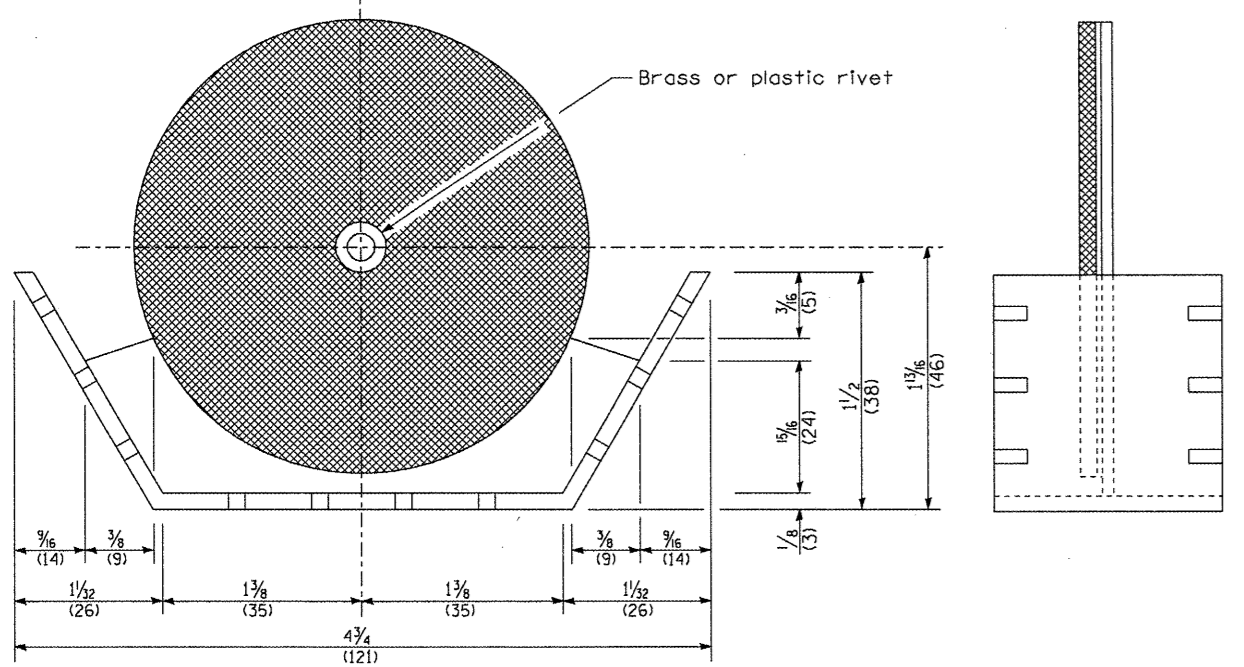


TYPICAL GUARDRAIL MOUNTING WITH REFLECTOR MARKER TYPE A



REFLECTOR MOUNTING

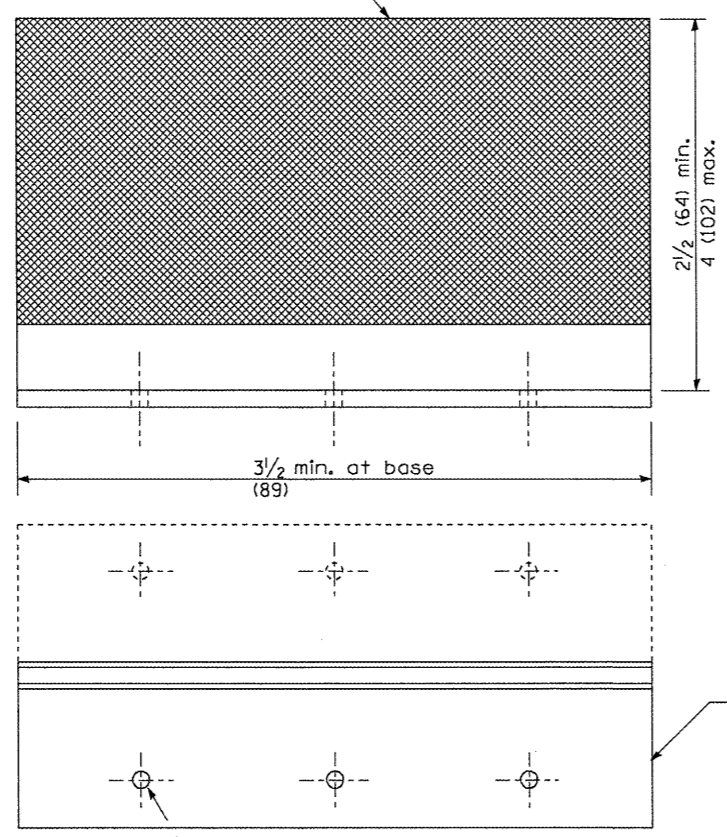
Adhesive weep slots or holes equally spaced on both sides



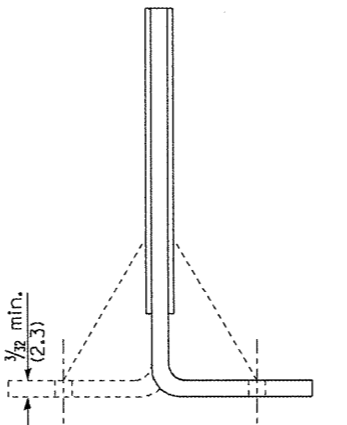
REFLECTOR MARKER TYPE B

3 min. adhesive weep holes or slots each side, variable spacing.

REFLECTOR MARKER TYPE C



Minimum total area of base 7.0 Sq. in. (4,516 mm²)



Cross section may be "I" or "L" shaped and may have side supports at ends.

REFLECTORS

All dimensions are in inches (millimeters) unless otherwise noted.

USER NAME	DESIGNED	REVISED		7016 KINGSMILL CT., SPRINGFIELD, IL (217) 483-9457 DESIGN FIRM #184001038
FILE NAME	DRAWN	REVISED		
PLOT DATE	CHECKED	REVISED		
PLOT TIME				

STATE OF ILLINOIS
DEPARTMENT OF TRANSPORTATION

GUARDRAIL AND BARRIER WALL DELINEATION
DISTRICT 4 STANDARDS

SCALE: N.T.S. SHEET NO. 3 OF 3 SHEETS STA. TO STA.

F.A.P. R.T.E.	SECTION	COUNTY	TOTAL SHEET NO.
542	105BR-1	MCDONOUGH	117 115
			CONTRACT NO. 68482
ILLINOIS FED. AID PROJECT			