

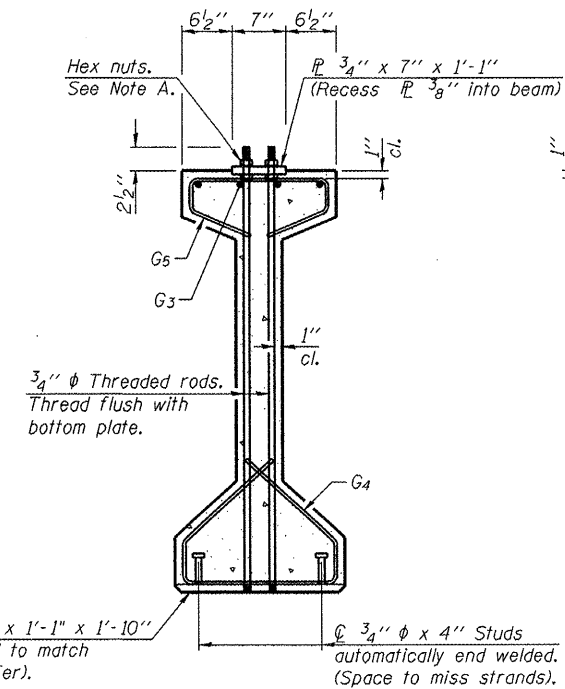
**ELEVATION OF BEAM**  
(Showing reinforcement & dimensions)

\* 3 spaces at 3" = 9".  
\*\* 4-3/4" φ threaded dowel rods at 3" cts., Each Face.

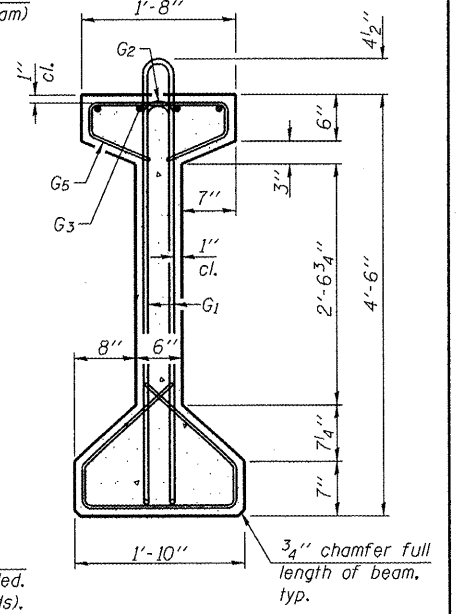
\*\*\*\* See details on sheet 19 of 41 for number and location of holes.

2-#8 G6 bar assembly with threaded coupler splice at each end. (See sheet 22 of 41 for details).

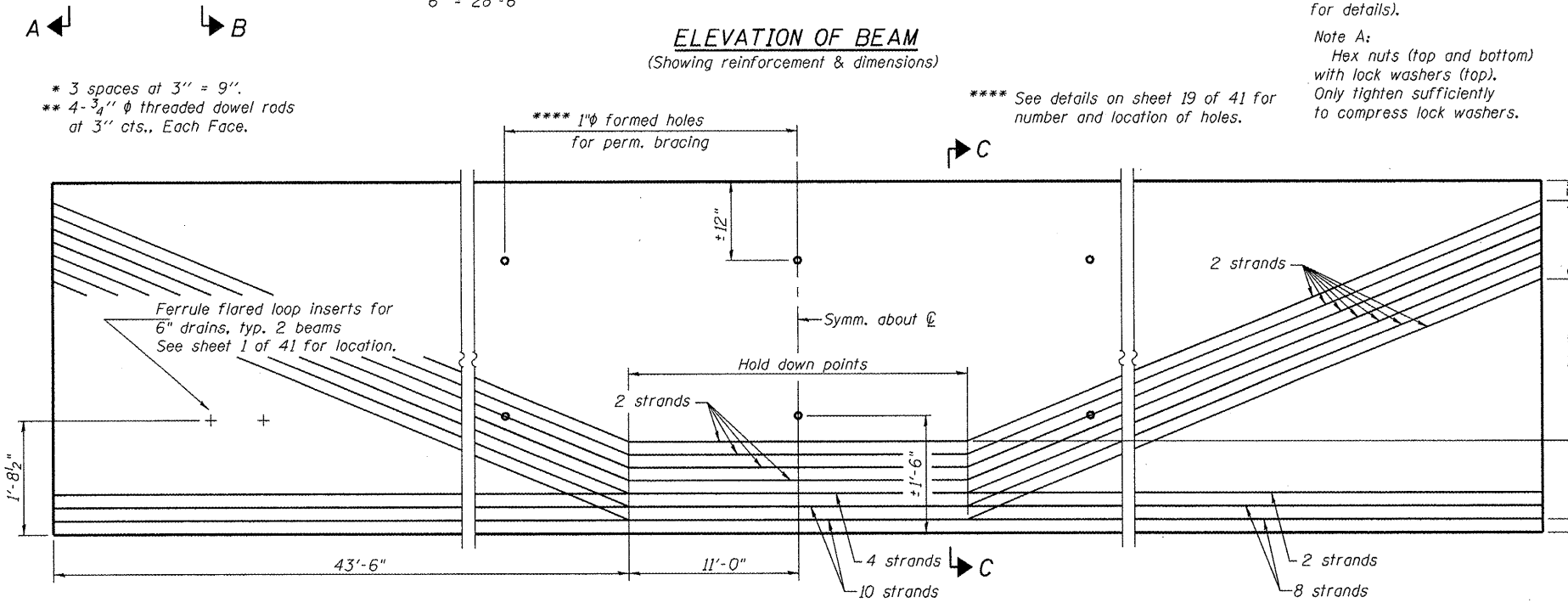
Note A:  
Hex nuts (top and bottom) with lock washers (top). Only tighten sufficiently to compress lock washers.



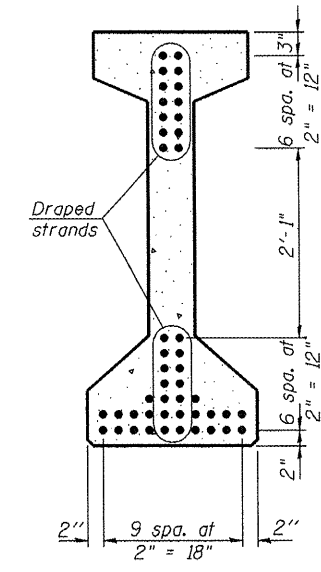
**SECTION A-A**



**SECTION B-B**



**ELEVATION OF BEAM**  
(Showing prestressing steel)



**SECTION C-C**

**BAR LIST**  
**ONE BEAM ONLY**

Bar	No.	Size	Length	Shape
G <sub>1</sub>	185	#4	10'-5"	⊥
G <sub>2</sub>	14	#4	8'-8"	⊥
G <sub>3</sub>	16	#7	29'-9"	—
G <sub>4</sub>	38	#3	4'-11"	—
G <sub>5</sub>	110	#3	3'-5"	⊥
G <sub>6</sub>	4	#8	6'-6"	⊥

\*\*\*For information only  
Notes:  
See sheet 22 of 41 for additional details and Bill of Material.  
Required release strength, f'cl, shall be 6,000 psi.

PI-4-54 7-1-10

USER NAME = dheber.ling	DESIGNED - BRD/FLL	REVISED -
FILE NAME = 0550083-68482.dgn	CHECKED - SDS/JHP	REVISED -
PLOT DATE = 12/21/2010	DRAWN - DLH	REVISED -
PLOT TIME = 10:30:51 AM	CHECKED - CWC/SDS	REVISED -

**WHKS & CO.**  
ENGINEERING  
7018 KINGSMILL CT.,  
SPRINGFIELD, IL  
(217) 483-9457  
DESIGN FIRM #184001036

**STATE OF ILLINOIS**  
**DEPARTMENT OF TRANSPORTATION**

**54" PPC I-BEAM - SPAN 3**  
**S.N. 055-0083**

SHEET NO. 21 OF 41 SHEETS

F.A.P. RTE. 542	SECTION 105BR-1	COUNTY MCDONOUGH	TOTAL SHEETS 117	SHEET NO. 61
			CONTRACT NO. 68482	
ILLINOIS FED. AID PROJECT				