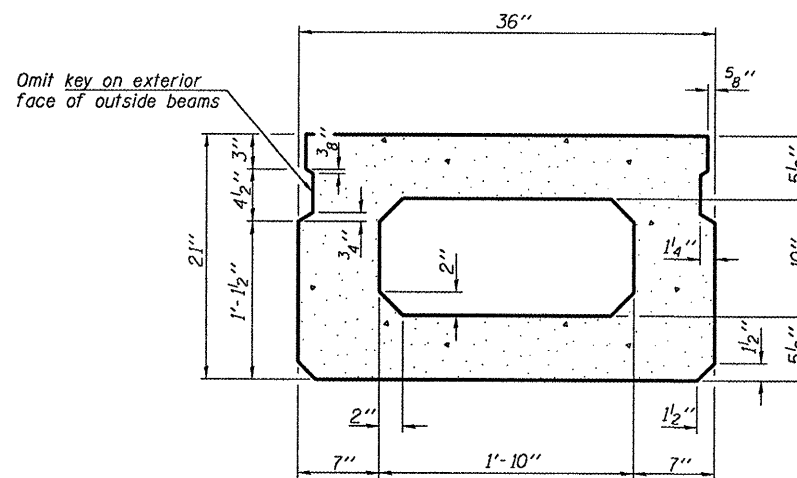
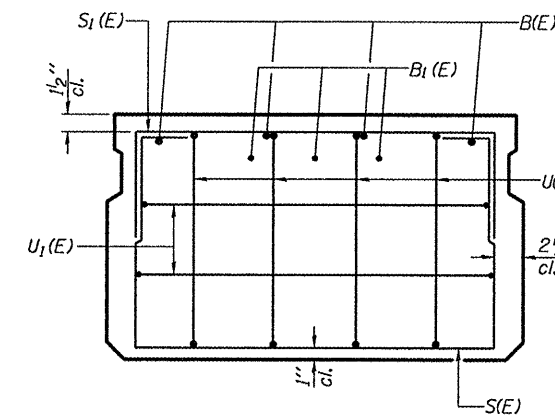


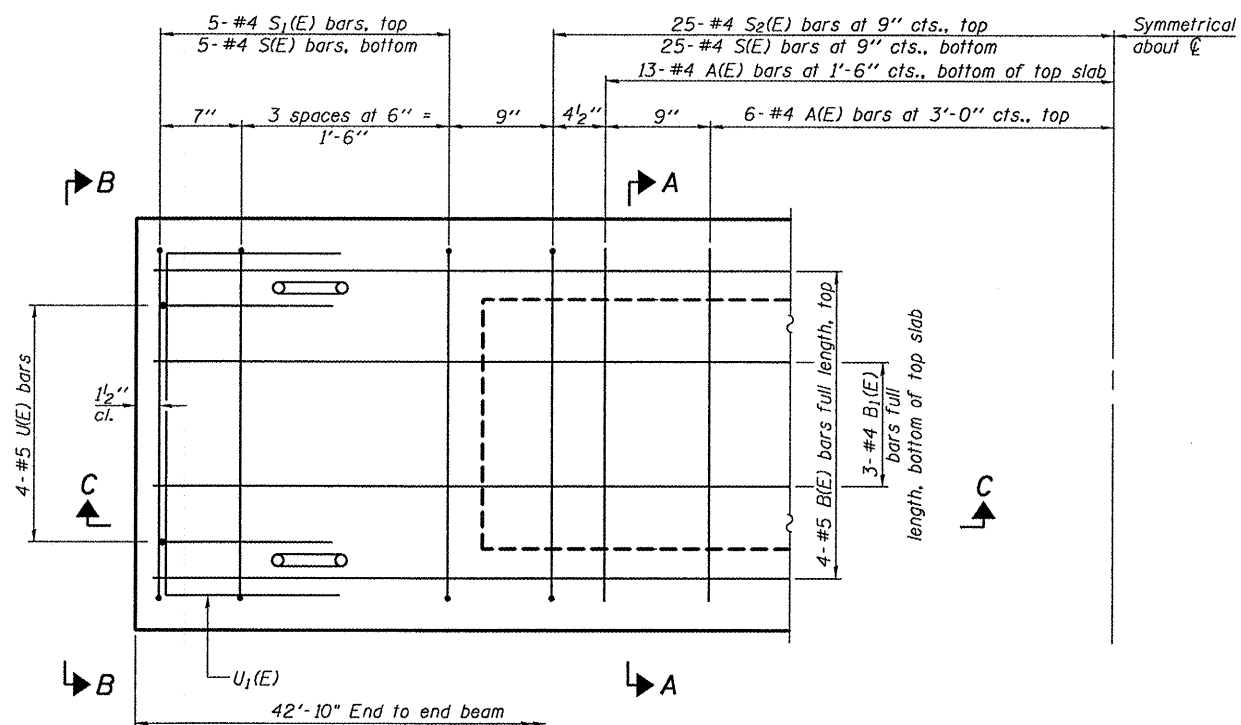
SECTION C-C



SECTION A-A  
(Showing dimensions)

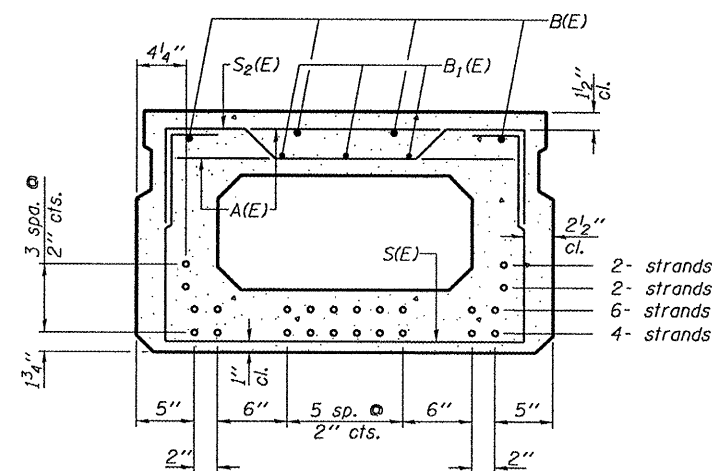


VIEW B-B



PLAN VIEW

Note: Spacing of S(E) and S2(E) bars may be adjusted up to 4" in the immediate area of the transverse tie diaphragms to miss the block outs for the transverse ties.



SECTION A-A  
(Showing reinforcement and permissible strand locations)

Note: Place the number of strands specified in each row symmetrically about the centerline of beam in the permissible strand locations shown.

BAR LIST  
ONE BEAM ONLY  
(For information only)

Bar	No.	Size	Length	Shape
A(E)	37	#4	2'-7"	—
B(E)	4	#5	42'-7"	—
B1(E)	3	#4	42'-7"	—
S(E)	60	#4	6'-5"	⌈
S1(E)	10	#4	5'-7"	⌈
S2(E)	50	#4	5'-10"	⌈
U(E)	8	#5	4'-0"	⌈
U1(E)	4	#4	5'-0"	⌈

Note: See sheet 3 of 4 for additional details and Bill of Material.

DESIGNED - V.H.V.  
CHECKED - I.J.L.  
DRAWN - Drew Christopher  
CHECKED - V.H.V. I.J.L.

EXAMINED  
PASSED  
ACTING ENGINEER OF STRUCTURAL SERVICES  
ACTING ENGINEER OF BRIDGES AND STRUCTURES

DATE - MARCH 14, 2011

STATE OF ILLINOIS  
DEPARTMENT OF TRANSPORTATION

BEAM DETAILS  
SN 036-0003

SHEET NO. 2 OF 4 SHEETS

F.A. RTE. 45  
SECTION (6BR)I  
COUNTY Hender son  
TOTAL SHEETS 9  
SHEET NO. 8B  
CONTRACT NO. 68A17  
ILLINOIS FED. AID PROJECT