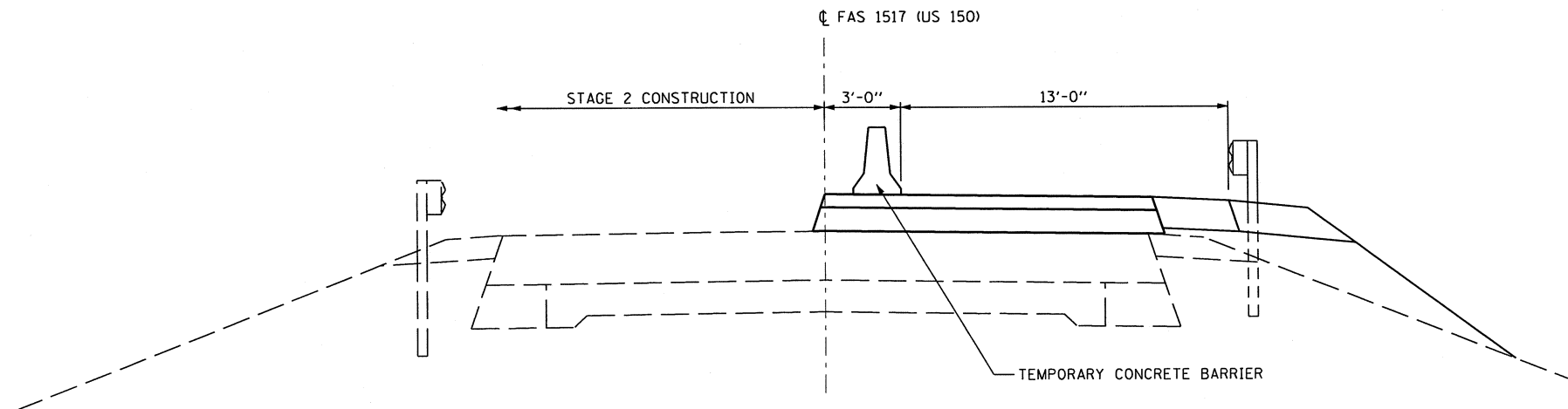


STAGE 1 – TYPICAL SECTION

NOT TO SCALE



STAGE 2 – TYPICAL SECTION

NOT TO SCALE

FILE NAME = #FILE#	USER NAME = #USER#	DESIGNED - JDS	REVISED -	STATE OF ILLINOIS DEPARTMENT OF TRANSPORTATION	US 150 OVER SALT CREEK STAGING TYPICAL SECTIONS				F.A.S. RTE. 1517	SECTION 11BR-1	COUNTY PIATT	TOTAL SHEETS 48	SHEET NO. 16
	PLOT SCALE = #SCALE#	CHECKED - RJA	REVISED -		SCALE:	SHEET NO.	OF	SHEETS	STA.	TO STA.	ILLINOIS FED. AID PROJECT		
	PLOT DATE = #DATE#	DATE -	REVISED -										
	CONTRACT NO. 70613												