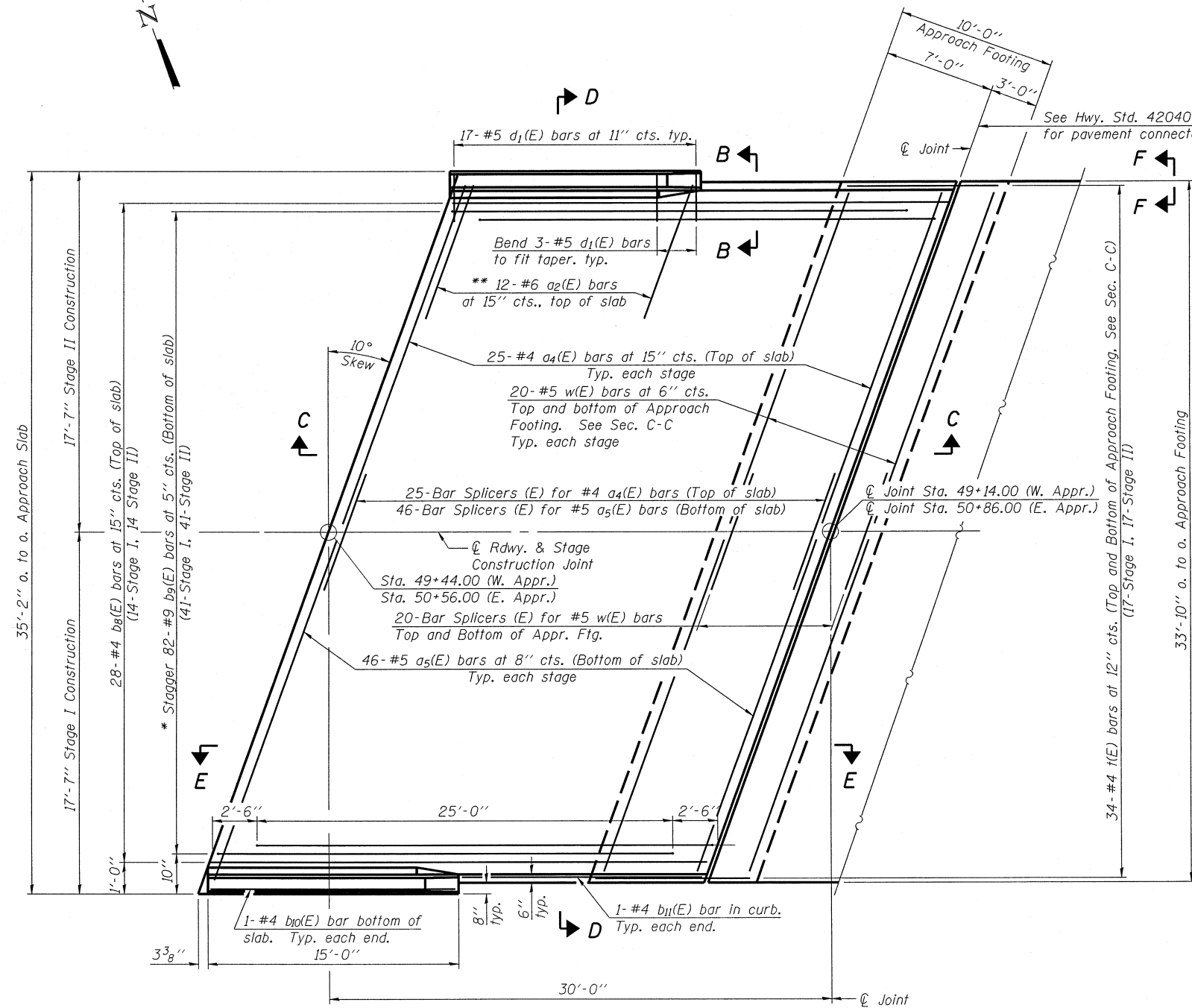


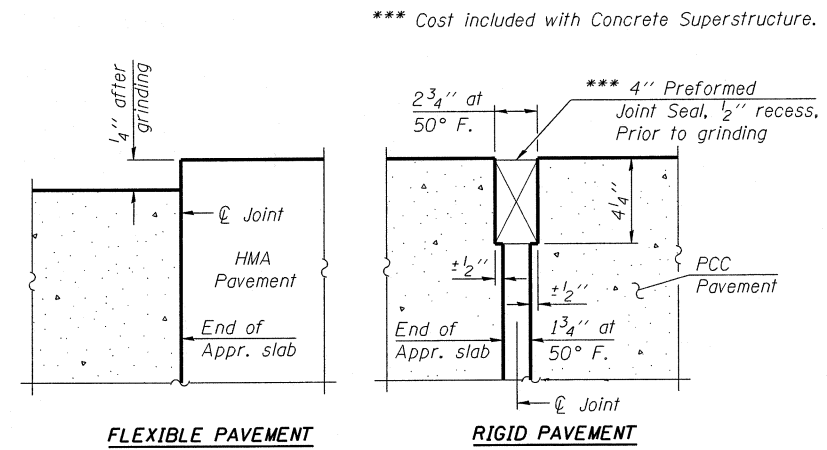
STATE OF ILLINOIS
DEPARTMENT OF TRANSPORTATION

Notes:
See sheet 9 of 16 for Sections C-C & D-D and View E-E.
a₄(E) and a₅(E) bar spacings measured along \varnothing Rdwy.

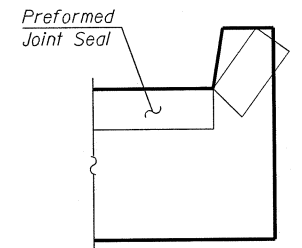
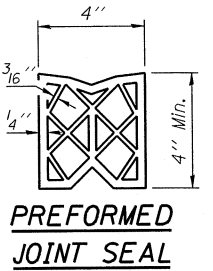


PLAN

* Tilt #9 b₉(E) bars as required to maintain clearance.
** Space between a₄(E) bars, typ. each parapet.

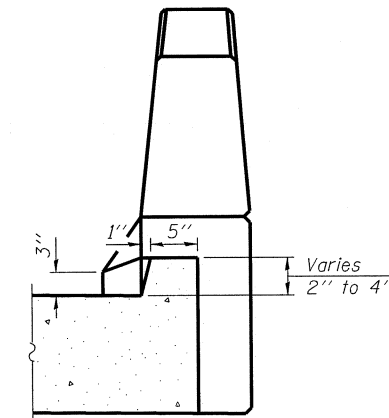


DETAIL A



VIEW F-F

Angle Preformed Joint Seal at 45° at curbs when req'd for drainage.



VIEW B-B



DESIGNED - BAS
CHECKED - KEF
DRAWN - SGM
CHECKED - BAS

(Sheet 1 of 2)
BRIDGE APPROACH SLAB DETAILS
STRUCTURE NO. 074-0087

SHEET NO. 8 16 SHEETS	F.A.S. RTE. 1517	SECTION 11BR-1	COUNTY PIATT	TOTAL SHEETS 48	SHEET NO. 25
	CONTRACT NO. 70613				
FED. ROAD DIST. NO. _ ILLINOIS FED. AID PROJECT					