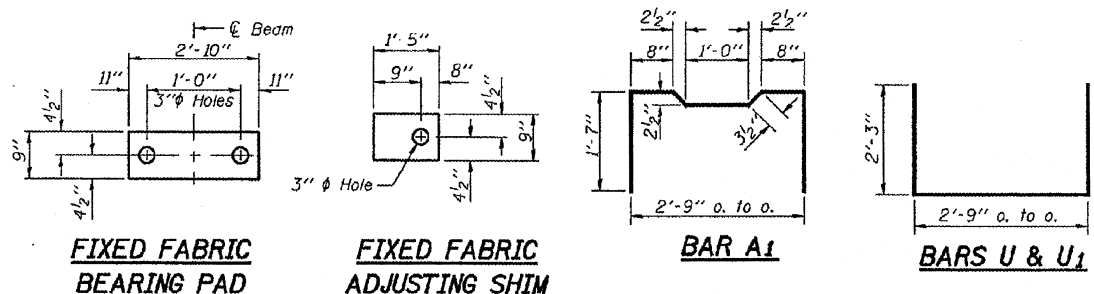


STATE OF ILLINOIS
DEPARTMENT OF TRANSPORTATION

ROUTE NO.	SECTION	COUNTY	SHEET	NO.	SHEET NO. 2
SBI 39		PIATT	18	11	5 SHEETS
FED. ROAD DIST. NO. 7	ILLINOIS	FED. AID PROJECT	Contract Number: 70699		

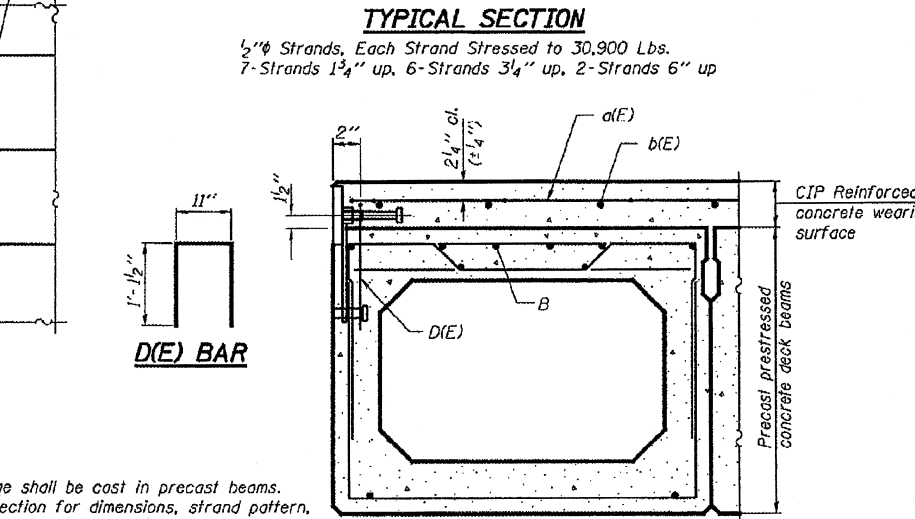
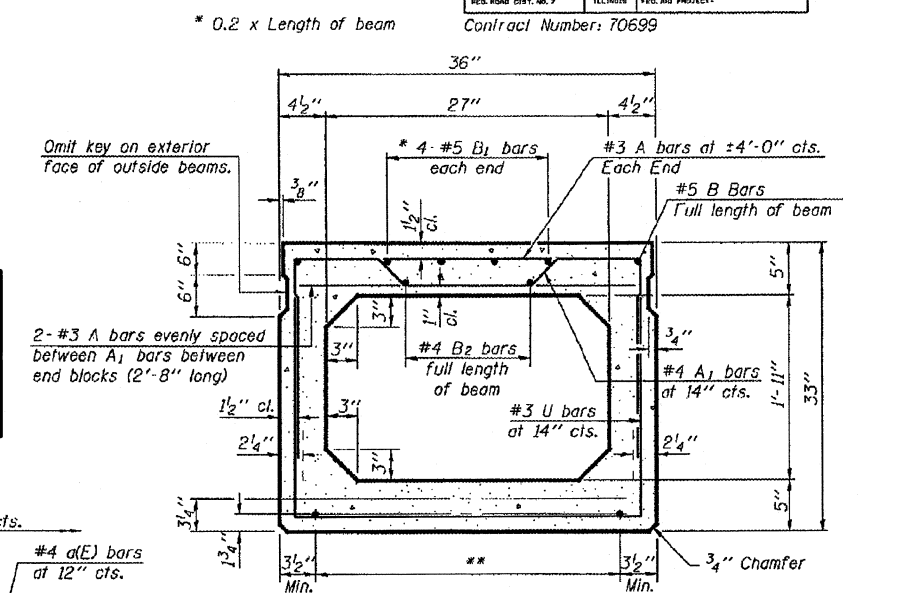
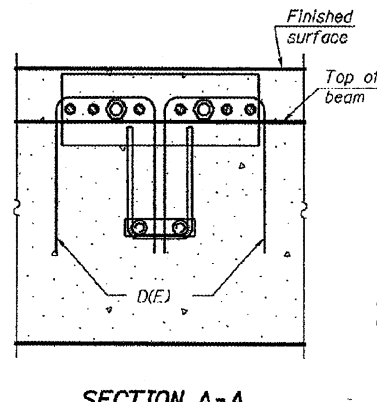
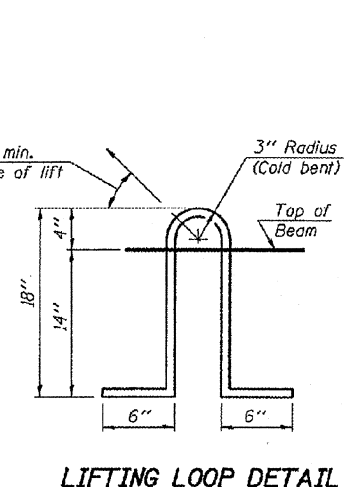
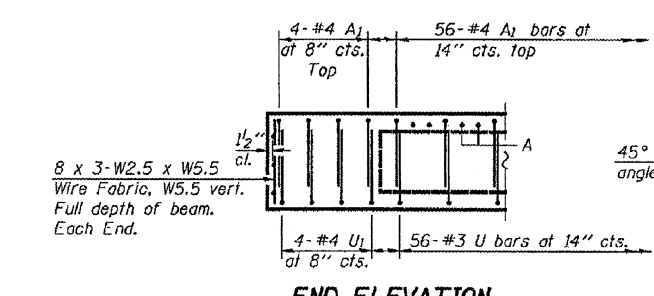
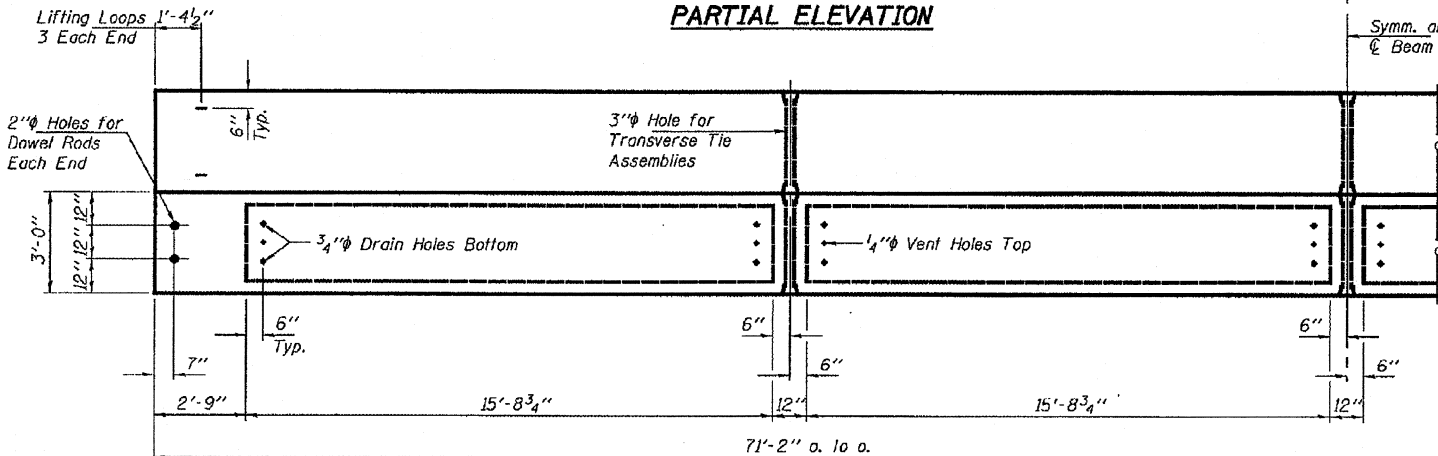
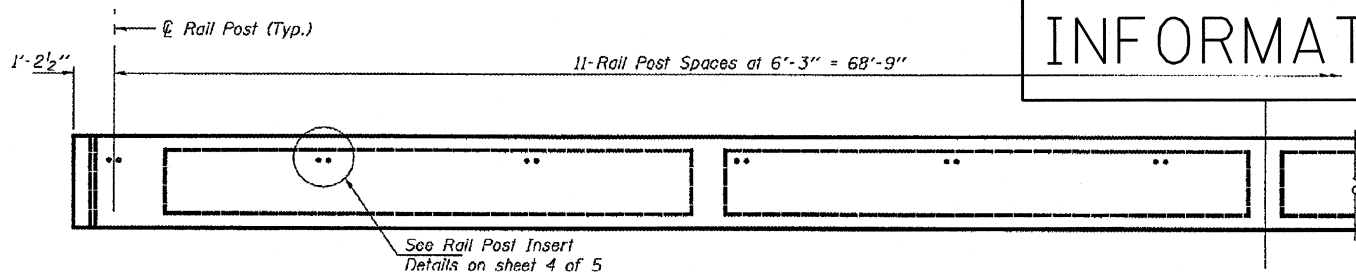


**** TRANSVERSE PLACEMENT GUIDELINES**

1. Place strands symmetrically about centerline of beam.
2. The minimum distance from center to center of strands in all directions shall be 2".
3. The minimum clearance from strand to dowel hole shall be 1/2".
4. The minimum clearance from strand to void shall be 1/2".

Vertical placement of strands shall not be adjusted to satisfy the above guidelines.

SHOWN FOR
INFORMATION ONLY



NOTES

Rail anchorage shall be cast in precast beams. See typical section for dimensions, strand pattern, and bar callouts not shown.

Formwork necessary for the wearing surface may be secured utilizing the bottom rail inserts and/or additional inserts cast into the beam. Drilling into the beam will not be permitted.

BILL OF MATERIAL

Precast Prestressed Conc. Deck Bms.	Sq. Ft.	854
-------------------------------------	---------	-----

REPAIR DETAILS
SBI 39 OVER
SOUTH BRANCH SALT CREEK
PIATT COUNTY
SN 074-0008

DESIGNED	AJB	FEBRUARY 25, 2008
CHECKED	VHV	EXAMINED <i>Carl Hoyer</i>
DRAWN	Steffen	PASSED <i>Ralph E. Anderson</i>
CHECKED	AJB VHV	ENGINEER OF BRIDGES AND STRUCTURES