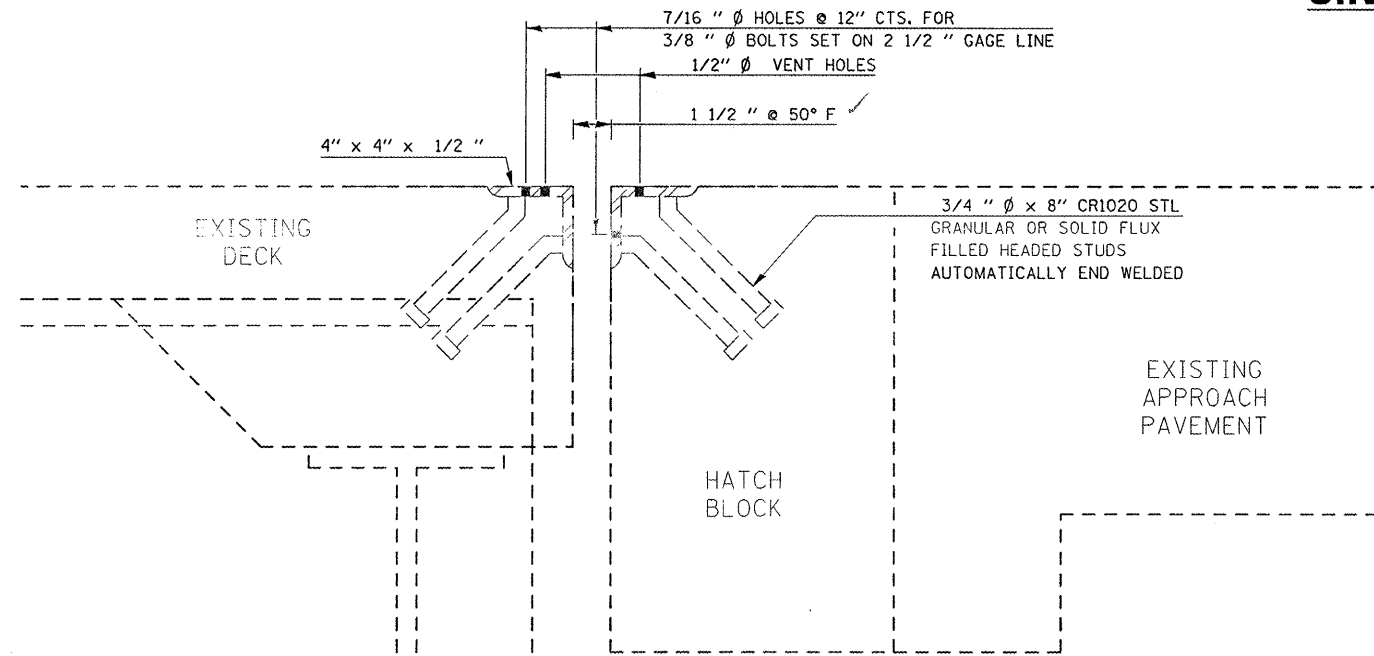
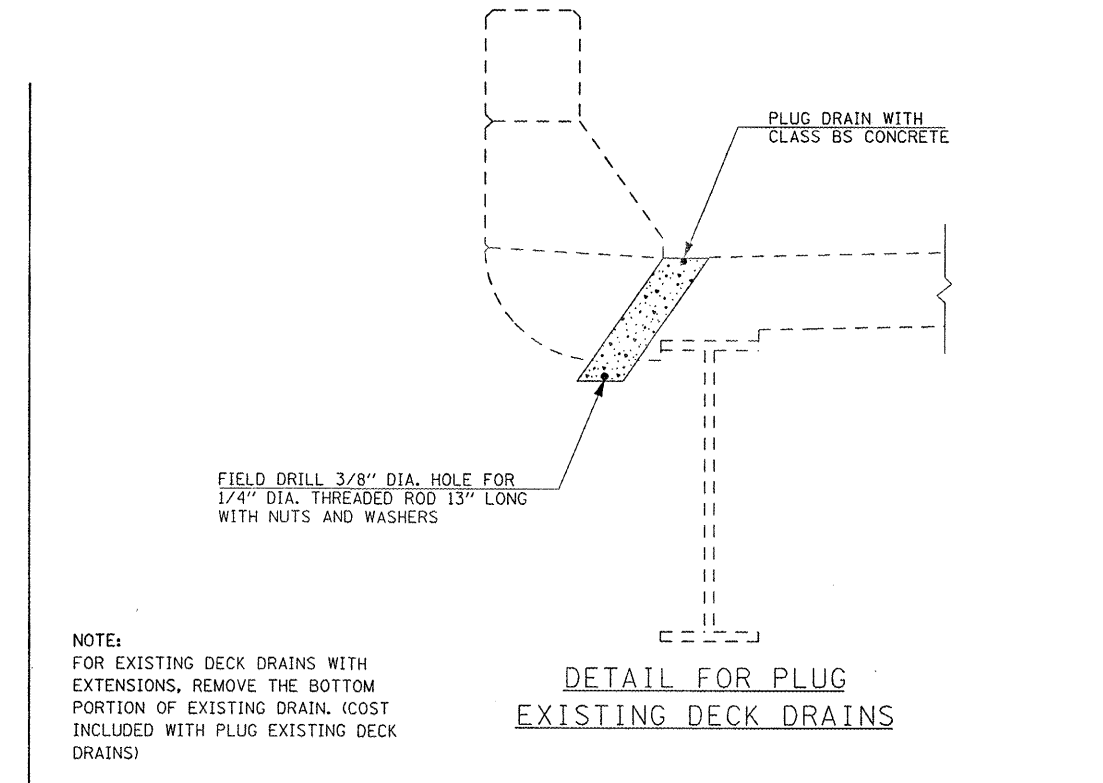


JOINT AND DRAIN REPAIR DETAILS

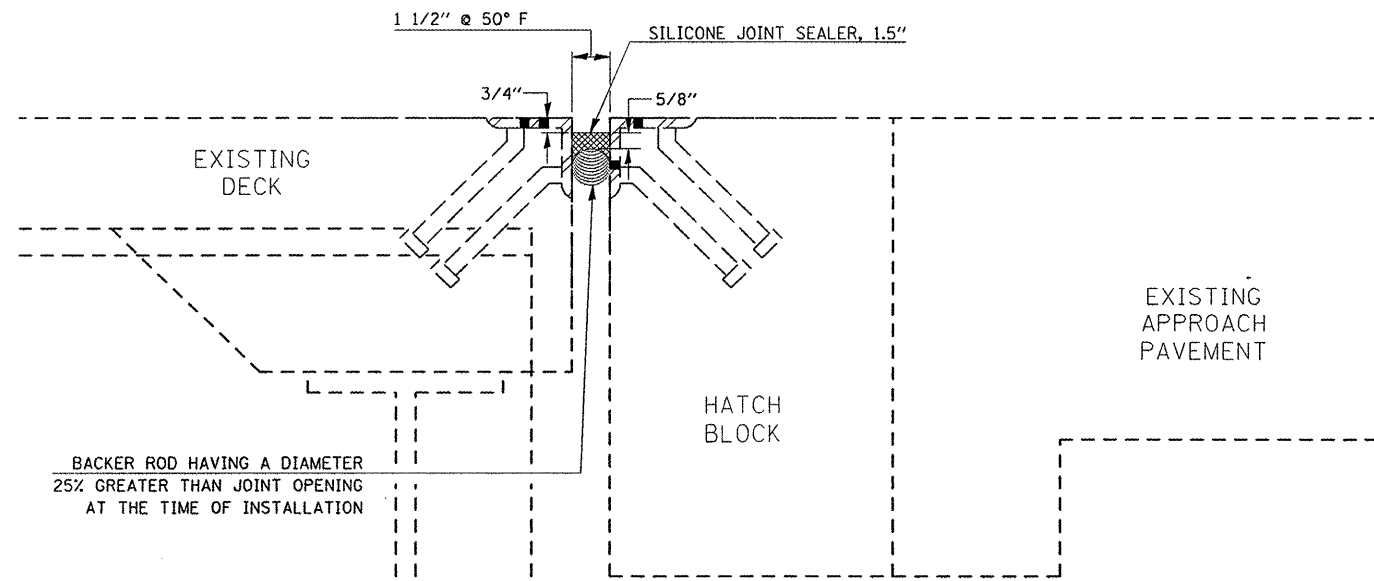
S.N. 010-0146



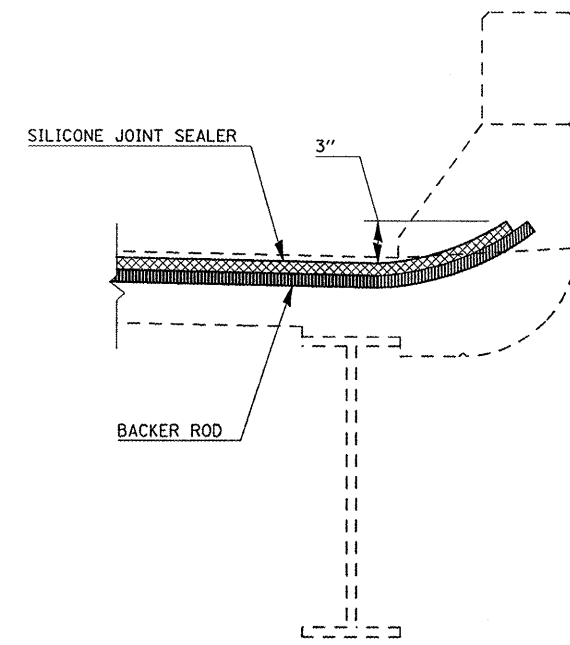
SECTION AT EXISTING JOINT



DETAIL FOR PLUG EXISTING DECK DRAINS



SECTION AT PROPOSED JOINT



SECTION AT PARAPET

NOTE:
THE EXISTING EXPANSION JOINT HAS BEEN IMPROVED BY MAINTENANCE AT SOME POINT IN TIME. THE IMPROVEMENT WAS SIMILAR TO A SILICONE JOINT SEALER SYSTEM, BUT HAS SINCE FAILED.

EXISTING JOINT MATERIAL SHALL BE REMOVED AND STEEL ARMORING SHALL BE CLEANED PRIOR TO INSTALLING THE SILICONE JOINT SEALER. COST INCLUDED WITH SILICONE JOINT SEALER, 1.5".

SEE SPECIAL PROVISIONS

BILL OF MATERIALS

ITEM	UNIT	TOTAL
PLUG EXISTING DECK DRAINS	EACH	16.0
SILICONE JOINT SEALER, 1.5"	FOOT	60.0

FILE NAME =	USER NAME = smgmn	DESIGNED - GMS	REVISED -
at:\pwork\oidot\smgmn\d0184265\05708	S-Bridge Repair Plans.dgn	DRAWN - GMS	REVISED -
	PLOT SCALE = 40,0001' / IN.	CHECKED - JTL	REVISED -
	PLOT DATE = 1/20/2011	DATE - 01-20-2011	REVISED -

STATE OF ILLINOIS
DEPARTMENT OF TRANSPORTATION

JOINT & DRAIN REPAIR DETAILS
S.N. 010-0146

SCALE: SHEET NO. 3 OF 10 SHEETS STA. TO STA.

F.A.I. RTE.	SECTION	COUNTY	TOTAL SHEETS	SHEET NO.
72	(10-7)HB)DR,BJR	CHAMPAIGN	14	6
CONTRACT NO. 70865				
[ILLINOIS] FED. AID PROJECT				