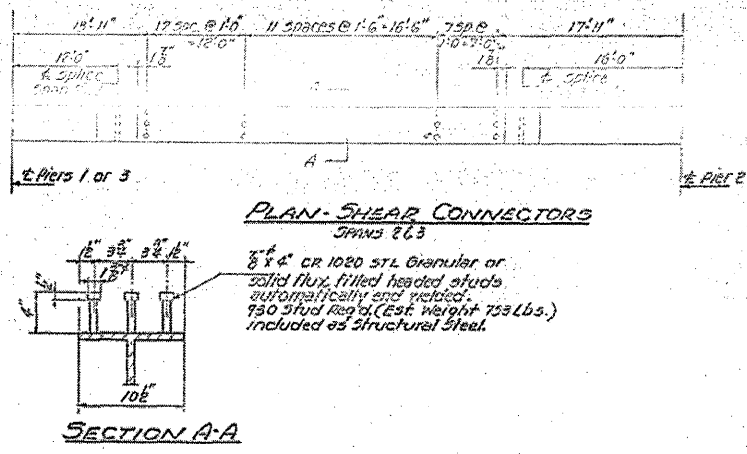
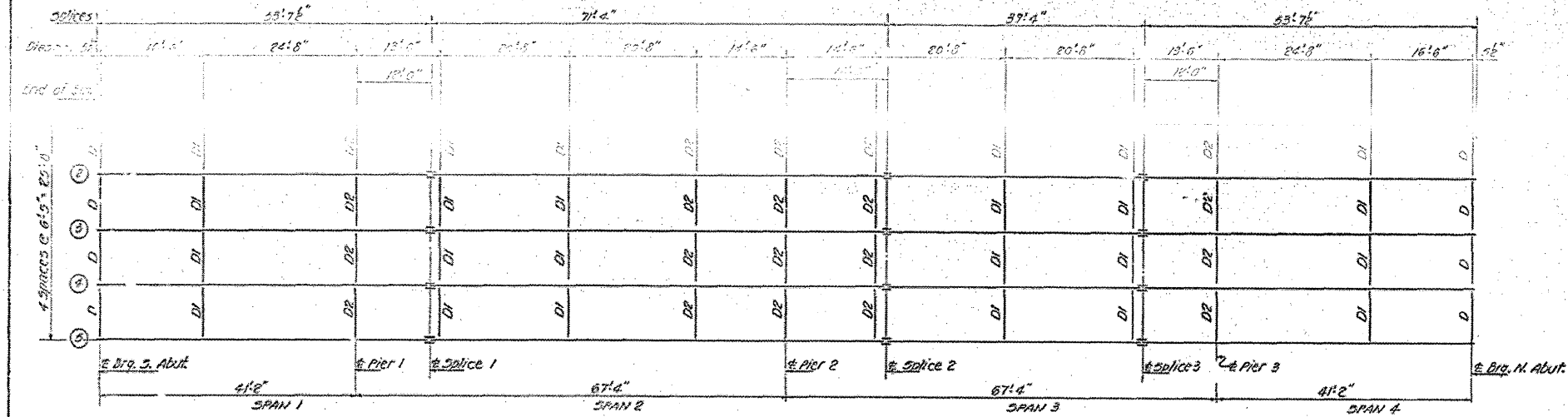


AS-BUILT PLANS FOR INFORMATION ONLY

STATE OF ILLINOIS
DEPARTMENT OF PUBLIC WORKS & BUILDINGS
DIVISION OF HIGHWAYS

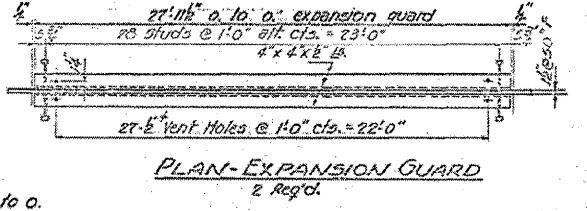
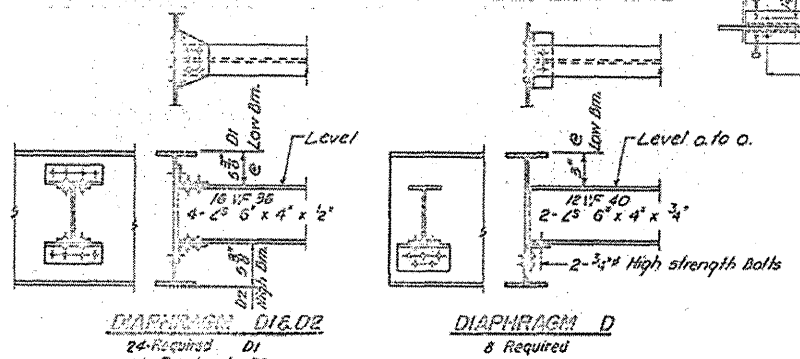
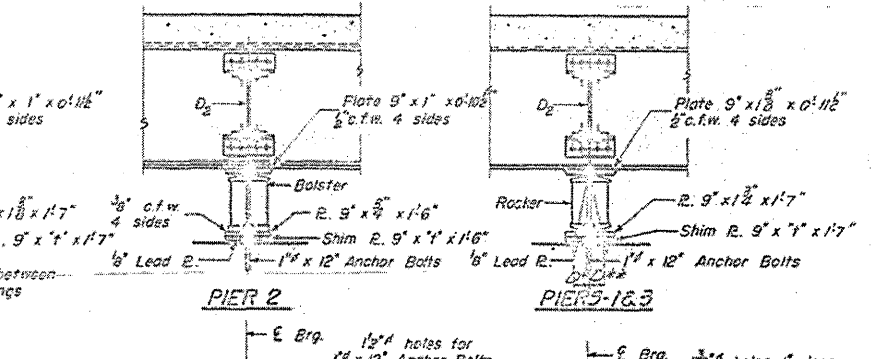
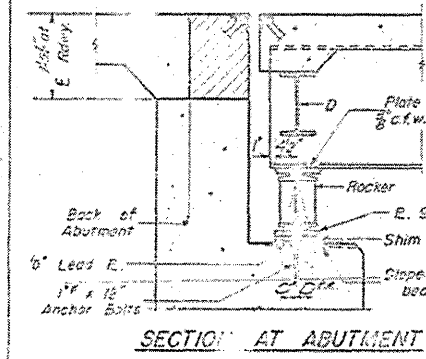
ROUTE NO.	SECTION	COUNTY	TOTAL SHEETS	SHEET NO.
72	10-718B	CHAMPAIGN	37	11
SHEET NO. 3 10 SHEETS				



NOTES ON SETTING OF ANCHOR BOLTS AT EXP. DECS.
 a) 1/2" (Side of brg. away from fixed brg.)
 b) 1/2" (Side of brg. toward fixed brg.)
 c) 1/2" (Side of brg. toward fixed brg.)
 d) 1/2" (Side of brg. toward fixed brg.)

FRAMING PLAN
 (All beams 30 W 99)

Notes continued:
 a) After beams have been erected and dimensions D₁ or D₂ determined, holes shall be drilled and anchor bolts shall be grouted in place. All fixed anchor bolts may be built into the masonry.



*** ELEVATION TOP OF BEAMS**

	Beams 2&3	Beam 2&4	Beam 3
So. Abut. (Brg.)	735.92	735.04	735.06
Pier 1	735.69	735.41	735.44
Splice 1	735.40	735.32	735.34
Pier 2	735.53	735.63	735.48
Splice 2	735.57	735.67	735.71
Splice 3	735.70	735.52	735.34
Pier 3	735.79	735.41	735.74
No. Abut. (Brg.)	735.92	735.04	735.06

* For correct elevations subtract .04' from values shown.

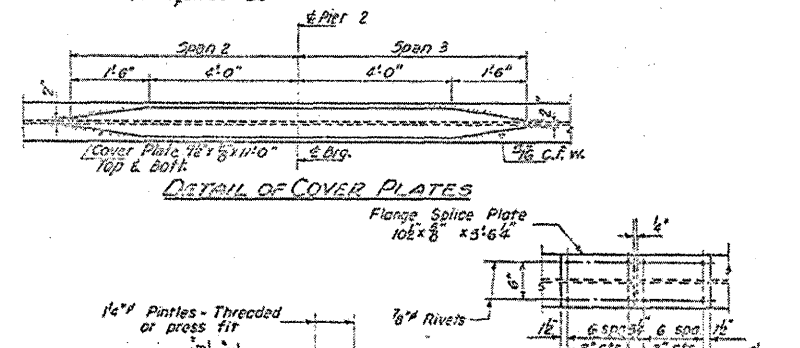
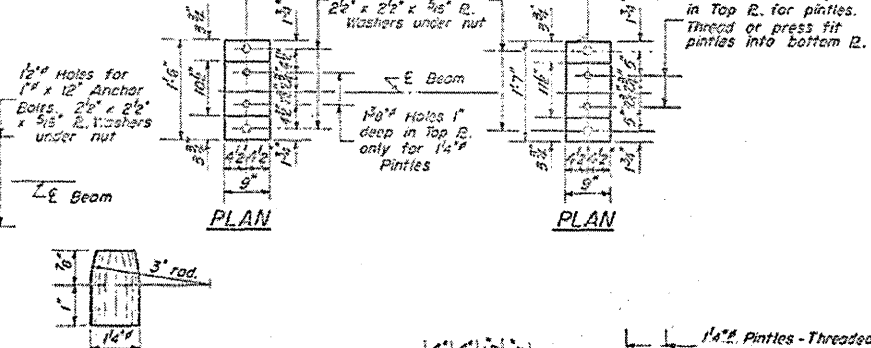
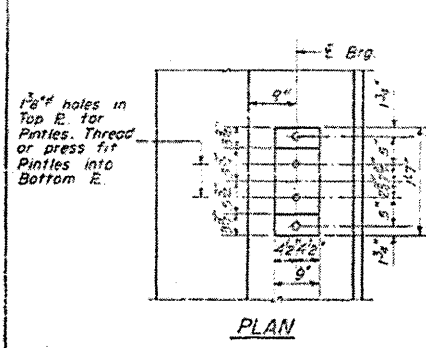
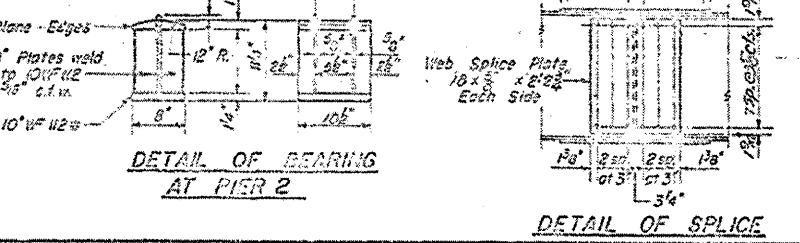
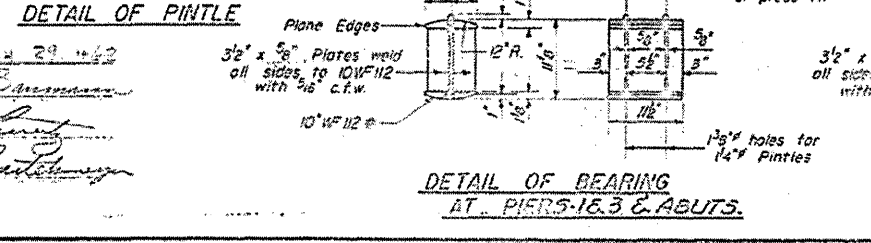


TABLE OF 1/2" DIMENSIONS

Beam	All Bearings
1 E 3	0"
2 E 4	0"
3	0"

DESIGNED: *OH Haysman*
 CHECKED: *W.A. Sauson*
 DRAWN: *W.A. Sauson*

EXAMINED: *W.E. Sauson*
 DATE: *MARCH 29 1962*
 APPROVED: *W.A. Sauson*



STRUCTURAL STEEL
 COUNTY OF CHAMPAIGN
 FABRI - SEC. 10-718B
 CHAMPAIGN COUNTY
 SECTION 1780109.2