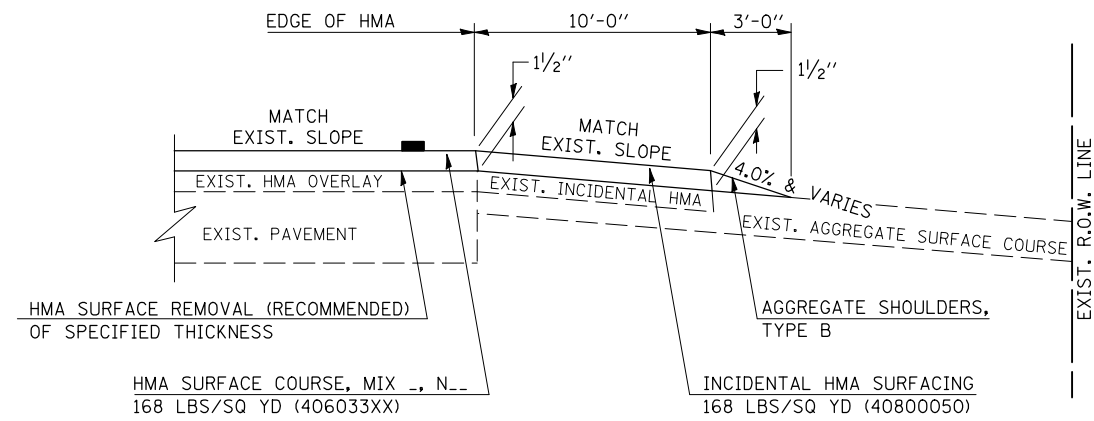
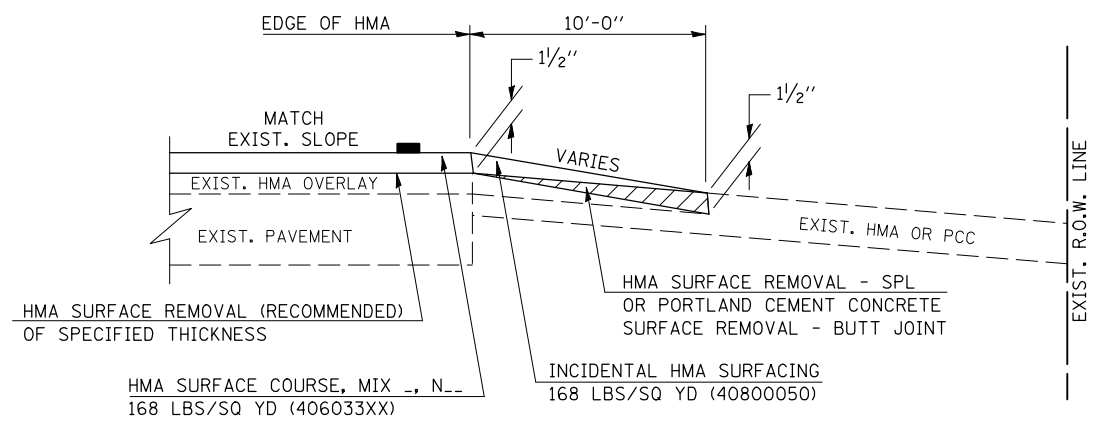


PROJECTS WITHOUT RECONSTRUCTION

S.M.A.R.T. IMPROVEMENTS (POLICY RESURFACING; BDE 53-4.03; 1/2")

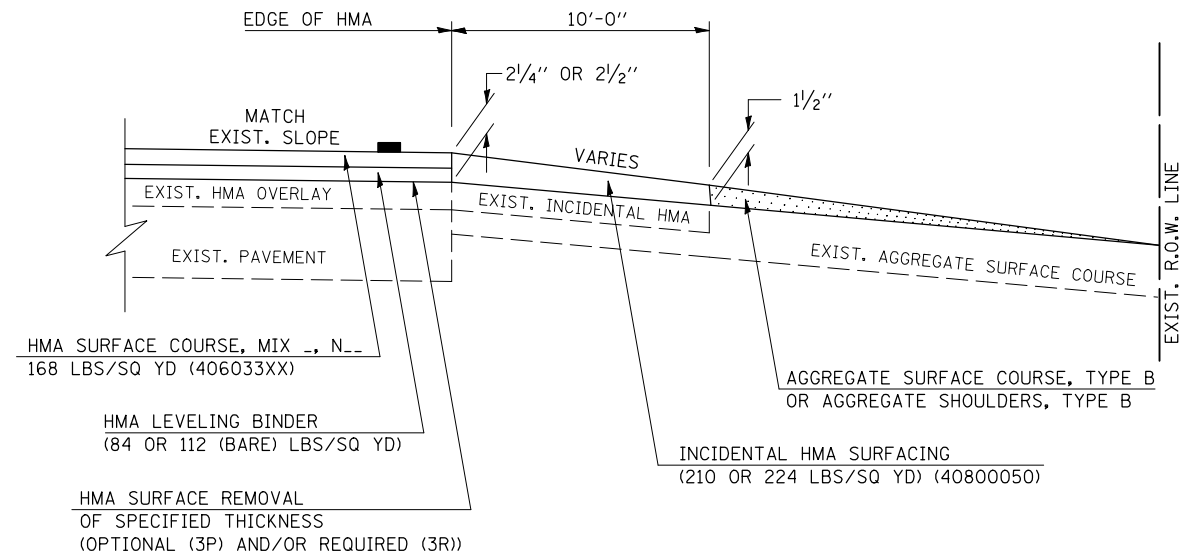


EXISTING AGGREGATE ENTRANCE

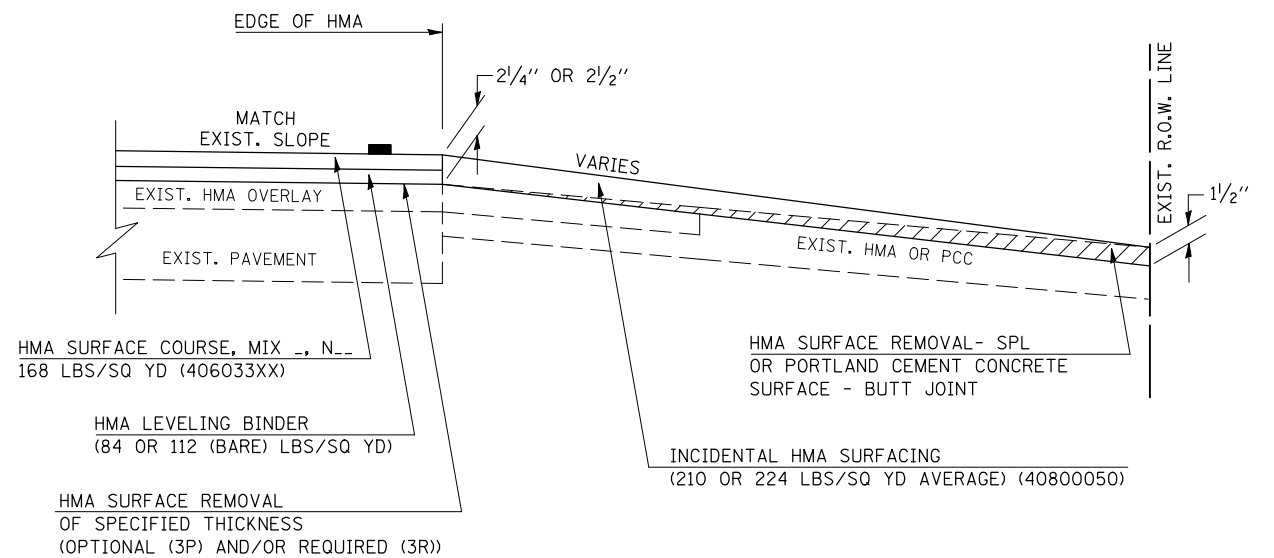


EXISTING HMA OR PCC ENTRANCE

"3P" OR "3R" IMPROVEMENTS (POLICY RESURFACING; BDE 53-4.02; 2 1/4" OR 2 1/2" ON BARE CONCRETE)



EXISTING AGGREGATE ENTRANCE



EXISTING HMA OR PCC ENTRANCE

Note: All dimensions are in INCHES (millimeters) unless otherwise shown.

DISTRICT 5 DETAIL NO. 40800050C

FILE NAME =	USER NAME = hennessdm	DESIGNED -	REVISED - 12/08/06 TJB
ct:\pw\work\p\dot\hennessdm\d0242491\0570875-sh1-details.dgn		DRAWN -	REVISED - 09/21/07 KAG
	PLOT SCALE = 40.0000' / IN.	CHECKED -	REVISED - 05/02/08 KJT
	PLOT DATE = 1/25/2011	DATE -	REVISED - 04/23/10 KJT

STATE OF ILLINOIS
DEPARTMENT OF TRANSPORTATION

PRIVATE AND COMMERCIAL ENTRANCES
(NONCOMMERCIAL AND COMMERCIAL RURAL)

SCALE: NA SHEET NO. 1 OF 2 SHEETS STA. TO STA.

F.A. RTE.	SECTION	COUNTY	TOTAL SHEETS	SHEET NO.
CH 19	40PT	DOUGLAS	25	20
CONTRACT NO. 70875				
FED. ROAD DIST. NO. ILLINOIS FED. AID PROJECT				