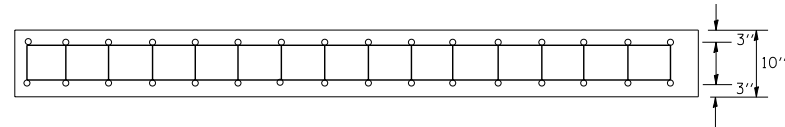
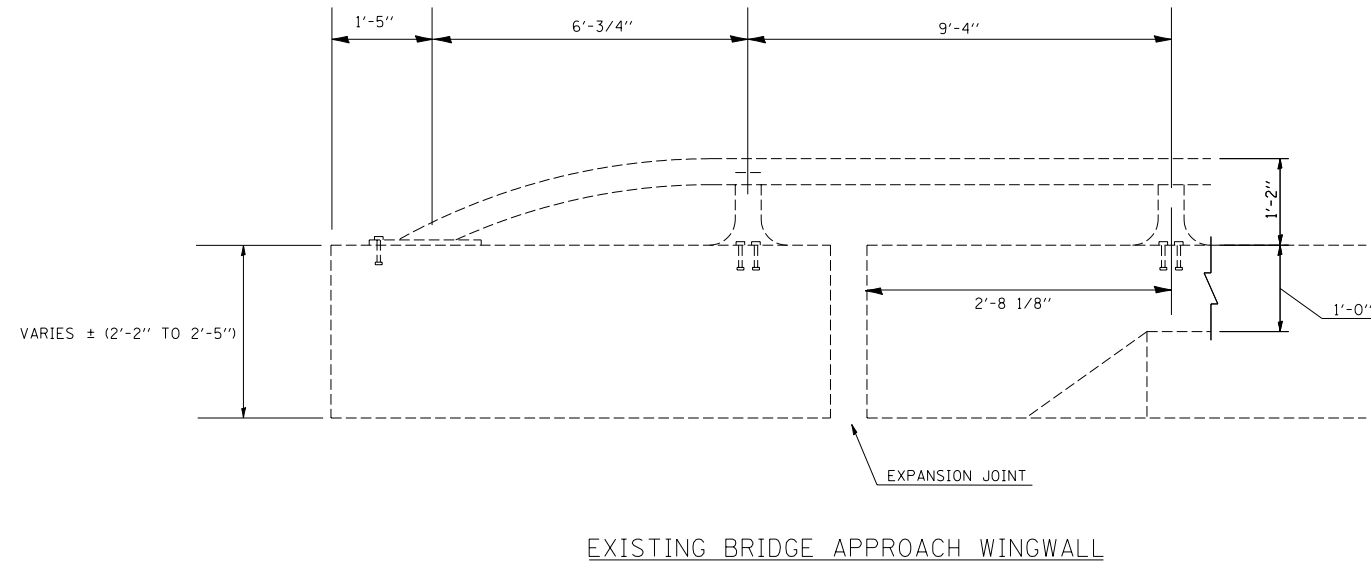
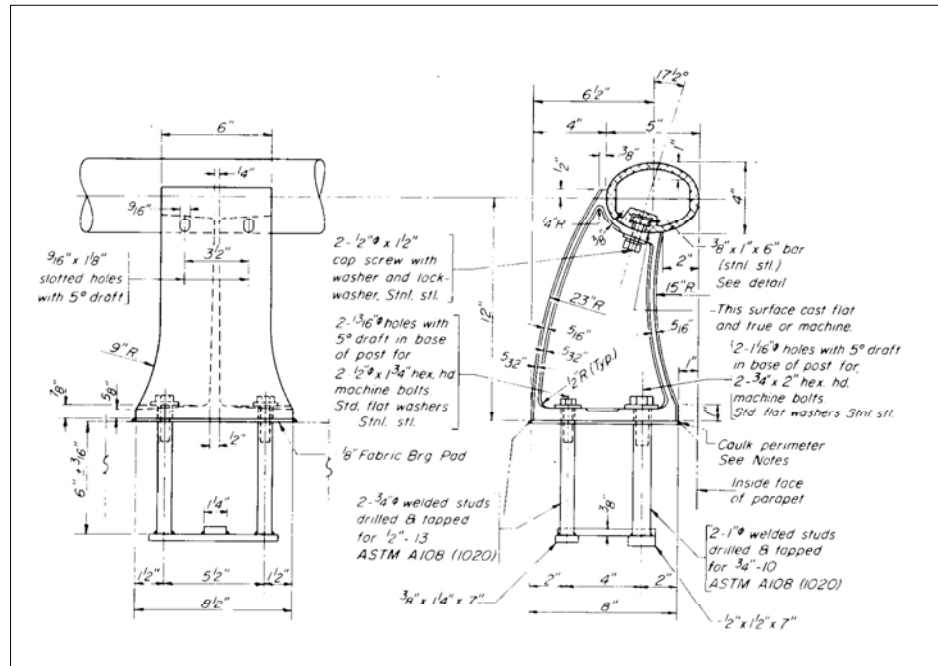
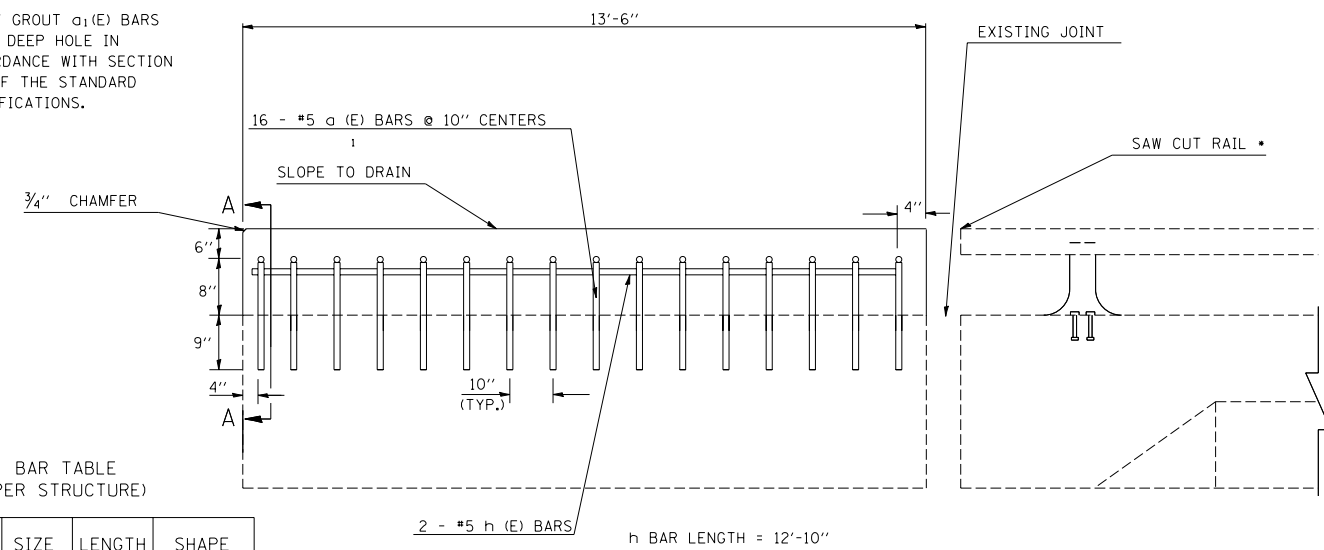


# BRIDGE APPROACH WINGWALL IMPROVEMENT FOR TYPES 6B & 6B(SP) GUARDRAIL ATTACHMENT TO STRUCTURE

## DETAIL OF EXISTING RAILING FOR INFORMATION ONLY



EPOXY GROUT  $\alpha_1$ (E) BARS IN 9" DEEP HOLE IN ACCORDANCE WITH SECTION 584 OF THE STANDARD SPECIFICATIONS.



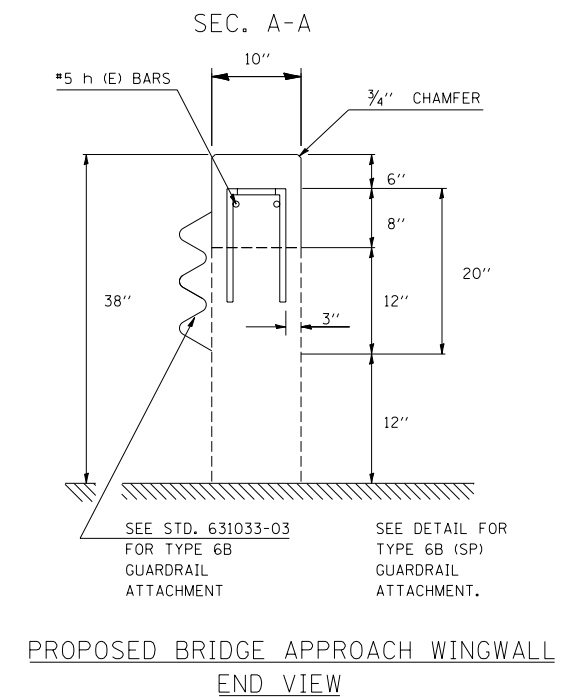
BAR TABLE  
(PER STRUCTURE)

BAR	QTY.	SIZE	LENGTH	SHAPE
$\alpha_1$ (E)	128	#5	1'-10"	
h(E)	8	#5	12'-10"	

2 - #5 h (E) BARS h BAR LENGTH = 12'-10"

PROPOSED BRIDGE APPROACH WINGWALL  
SIDE VIEW

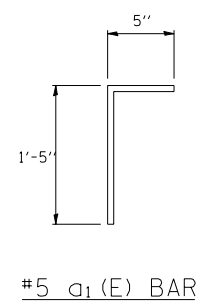
\* EXACT LOCATION TO BE DETERMINED BY ENGINEER



PROPOSED BRIDGE APPROACH WINGWALL  
END VIEW

### NOTES:

ALL EQUIPMENT, MATERIALS, AND LABOR REQUIRED TO RELOCATE ALUMINUM RAIL SUPPORTS AND REMOVE AND DISPOSE OF ALUMINUM BRIDGE RAIL WILL NOT BE MEASURED FOR PAYMENT AND SHALL BE INCLUDED IN THE CONTRACT UNIT PRICE FOR CONCRETE SUPERSTRUCTURE.



BILL OF MATERIALS (EACH END)	UNIT	
CONCRETE SUPERSTRUCTURE	CU YD	.47
REINFORCEMENT BARS, EPOXY COATED	POUNDS	180

FILE NAME =	USER NAME = leroyma	DESIGNED -	REVISED -
ct:\pw_work\pwwid\leryoma\d0244443\d570745-sht-details.dgn		DRAWN -	REVISED -
		CHECKED -	REVISED -
		DATE -	REVISED -

**STATE OF ILLINOIS  
DEPARTMENT OF TRANSPORTATION**

**PARAPET MODIFICATION  
SN 057-0160**

SCALE: SHEET NO. OF SHEETS STA. TO STA.

F.A.I RTE.	SECTION	COUNTY	TOTAL SHEETS	SHEET NO.
55	HSIP FY2011-1	MCLEAN	25	12
			CONTRACT NO. 70885	
ILLINOIS FED. AID PROJECT				