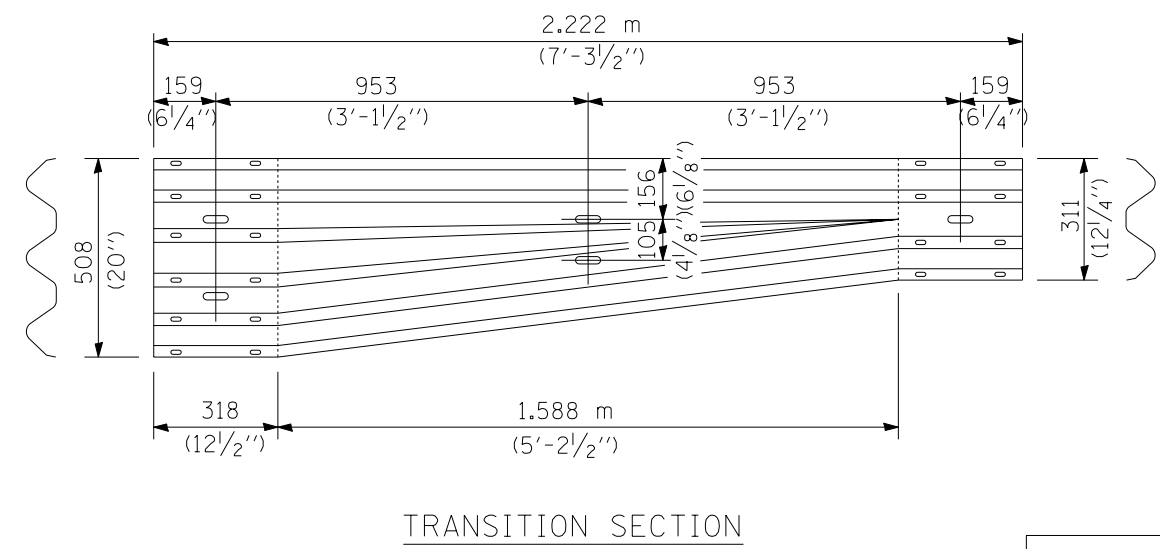
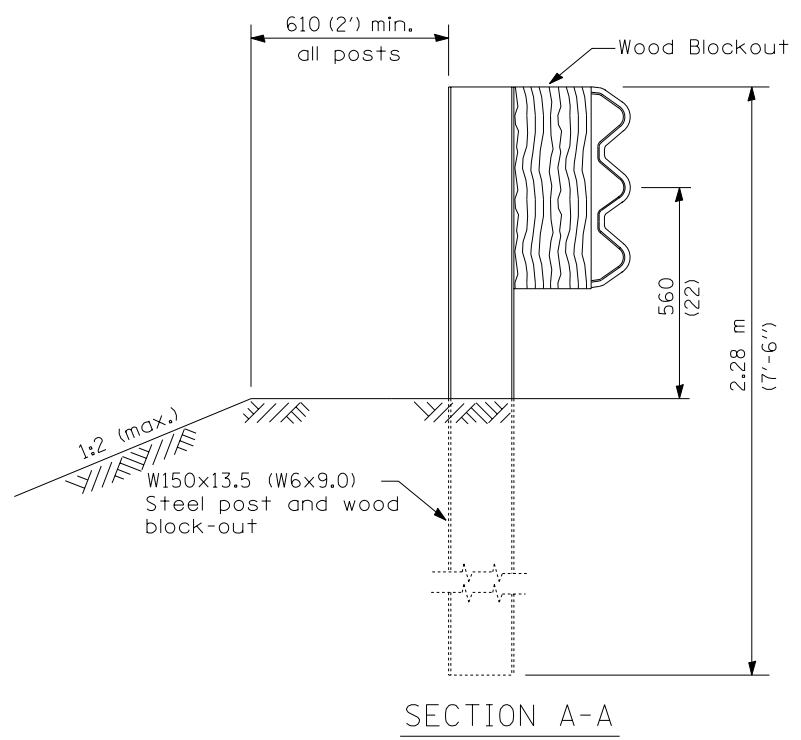
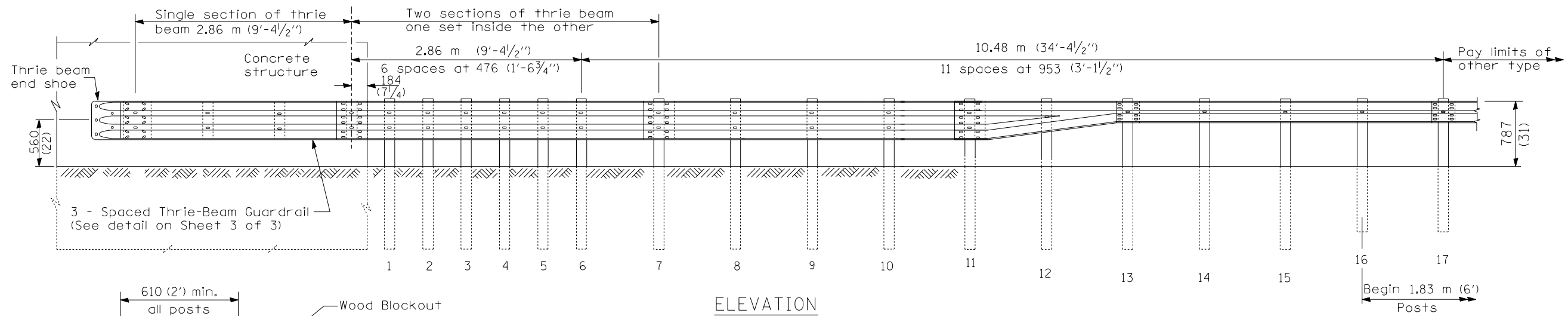
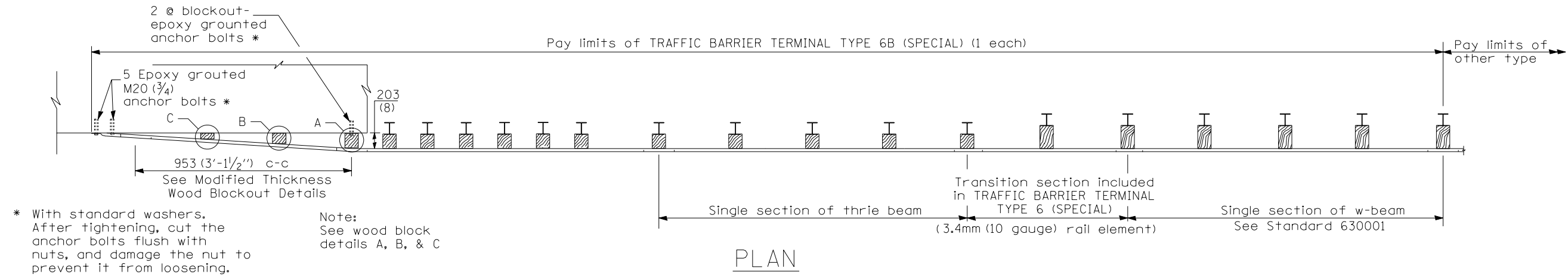


TRAFFIC BARRIER TERMINAL, TYPE 6B (SPECIAL)

SN 057-0159 and SN 057-0160



GENERAL NOTES

- See Standard 630001 for details of guardrail not shown.
- Thrie beam rail shall be bolted to block-out at all posts.
- All slope ratios are expressed as units of vertical displacement to units of horizontal displacement (V:H).

All dimensions are in millimeters (inches) unless otherwise shown.

SHEET 1 OF 3

FILE NAME =	USER NAME = leroyma	DESIGNED -	REVISED -	STATE OF ILLINOIS DEPARTMENT OF TRANSPORTATION	TRAFFIC BARRIER TERMINAL, TYPE 6B (SPECIAL) SN 057-0159 AND 057-0160	F.A.I. R.T.E.	SECTION	COUNTY	TOTAL SHEETS	SHEET NO.	
ct:\pwork\pwork\leroyma\d024443\d570745-sht-details.dgn		DRAWN -	REVISED -			55	HSIP FY2011-1	MCLEAN	25	13	
PLOT SCALE = 40.0007' / IN.		CHECKED -	REVISED -			CONTRACT NO. 70885					
PLOT DATE = 1/24/2011		DATE -	REVISED -			ILLINOIS FED. AID PROJECT					
						SCALE:	SHEET NO.	OF SHEETS	STA.	TO STA.	