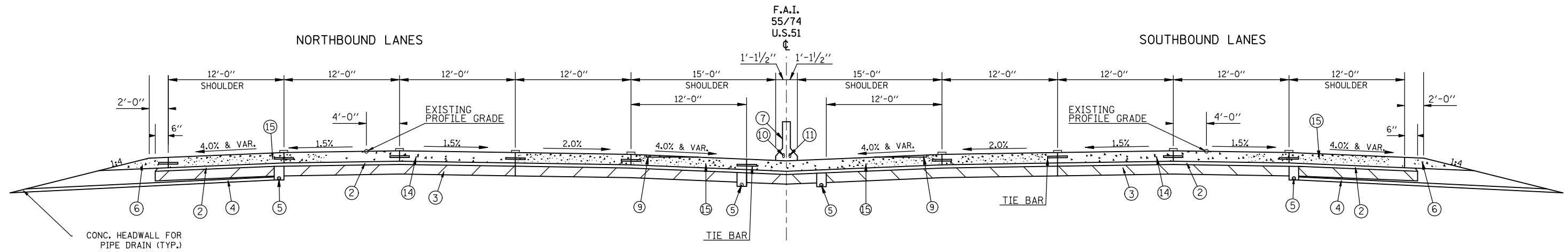


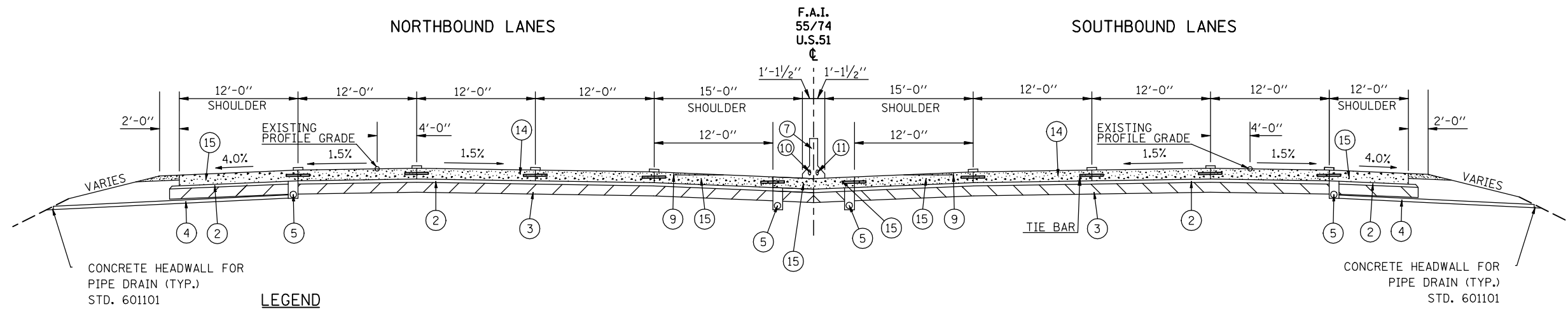
EXISTING TYPICAL CROSS SECTION ①

STATION 404+57.22 TO STATION 409+82.21



EXISTING TYPICAL CROSS SECTION ②

STATION 409+82.21 TO STATION 416+94.15



LEGEND

- | | | |
|--|--|--|
| ① EXISTING CONTINUOUSLY REINFORCED P.C.C. PAVEMENT 12 1/2" | ⑥ EXISTING AGGREGATE SHOULDER TYPE B, 6" | ⑫ EXISTING HMA SHOULDER, 8" |
| ② EXISTING STABILIZED SUB-BASE 4" | ⑦ EXISTING CONCRETE BARRIER | ⑬ CONCRETE SHOULDER CURB |
| ③ EXISTING PROCESSING LIME MODIFIED SOIL 12" | ⑧ EXISTING P.C.C. SHOULDER 12 1/2" | ⑭ EXISTING CONTINUOUSLY REINFORCED P.C.C. PAVEMENT 13 1/2" |
| ④ EXISTING PIPE UNDERDRAIN 4" (SPECIAL) | ⑨ EXISTING P.C.C. SHOULDER RUMBLE STRIP | ⑮ EXISTING P.C.C. SHOULDER 13 1/2" |
| ⑤ EXISTING PIPE UNDERDRAIN 4" | ⑩ 4" P.V.C. EMBEDDED IN STRUCTURE | |
| | ⑪ 2" P.V.C. CONDUIT FOR LIGHTING | |

• F.A.I. 55, F.A.I. 74, & U.S. 51