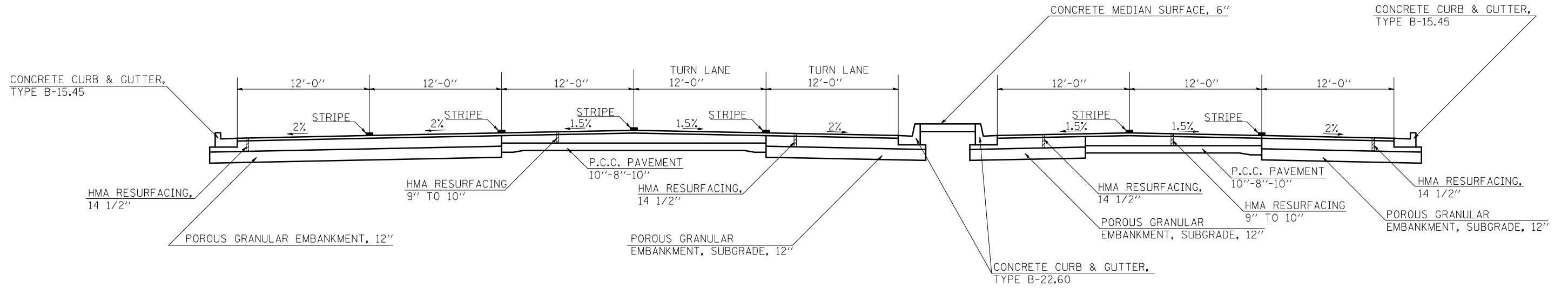


NOTE:
 THESE TYPICAL SECTIONS ARE BASED ON INTERPRETATION OF TYPICAL SECTION
 DETAILS FROM CONTRACT 86688. LANE WIDTHS AND PAVEMENT SECTION DETAILS
 SHOWN MAY VARY FROM ACTUAL EXISTING CONDITIONS. TYPICAL SECTIONS SHOULD
 BE USED FOR REFERENCE ONLY. SEE PLAN VIEW SHEETS FOR ADDITIONAL
 PROJECT DETAILS.

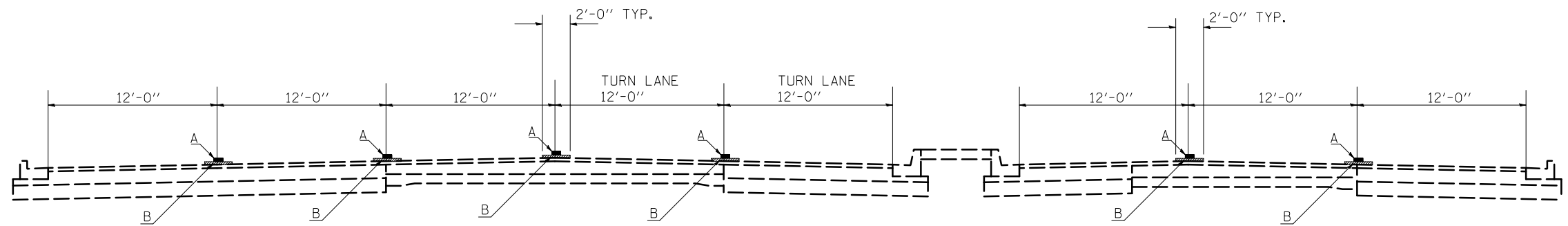
EXISTING TYPICAL CROSS SECTION FAP 704 (I-55 BUS) ④

③ STA. 248+31.00 TO STA. 252+89.00 ⑤



PROPOSED TYPICAL CROSS SECTION FAP 704 (I-55 BUS) ④

③ STA. 248+31.00 TO STA. 252+89.00 ⑤



A = STRIPE/RAISED REFLECTIVE PAVEMENT MARKER.
 B = MICRO-SURFACING, SINGLE PASS, TYPE 2 (20 LBS/SQ. YD.)

• 693 & 704
 ** (129)I-2, (1,2)I, & (FAP 10)I

FILE NAME =	USER NAME = ceerlockbm	DESIGNED - BMC	REVISED -
ct:\pw\work\p\dot\ceerlockbm\d0243284\0570892-sht-typic01.dgn		DRAWN - BMC	REVISED -
PLOT SCALE = 40.0000' / IN.		CHECKED -	REVISED -
PLOT DATE = 12/29/2010		DATE - 12-22-2010	REVISED -

**STATE OF ILLINOIS
 DEPARTMENT OF TRANSPORTATION**

TYPICAL CROSS SECTIONS

SCALE: N/A SHEET NO. 4 OF 9 SHEETS STA. 248+31.00 TO STA. 252+89.00

F.A.P. RTE.	SECTION	COUNTY	TOTAL SHEETS	SHEET NO.
•	**	MCLEAN	55	16
CONTRACT NO. 70892				
ILLINOIS FED. AID PROJECT				