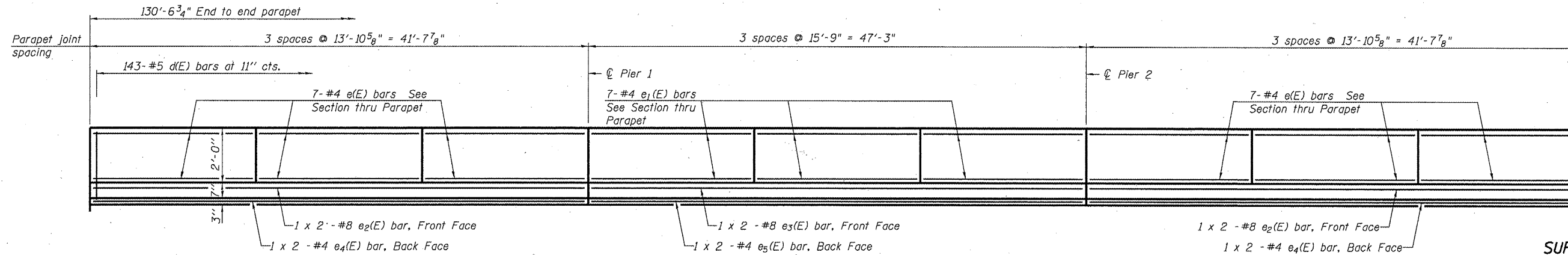
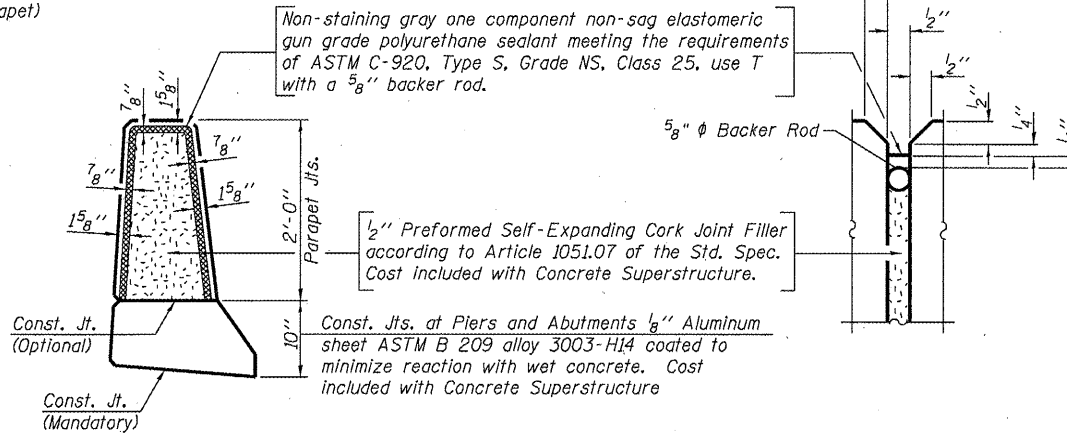
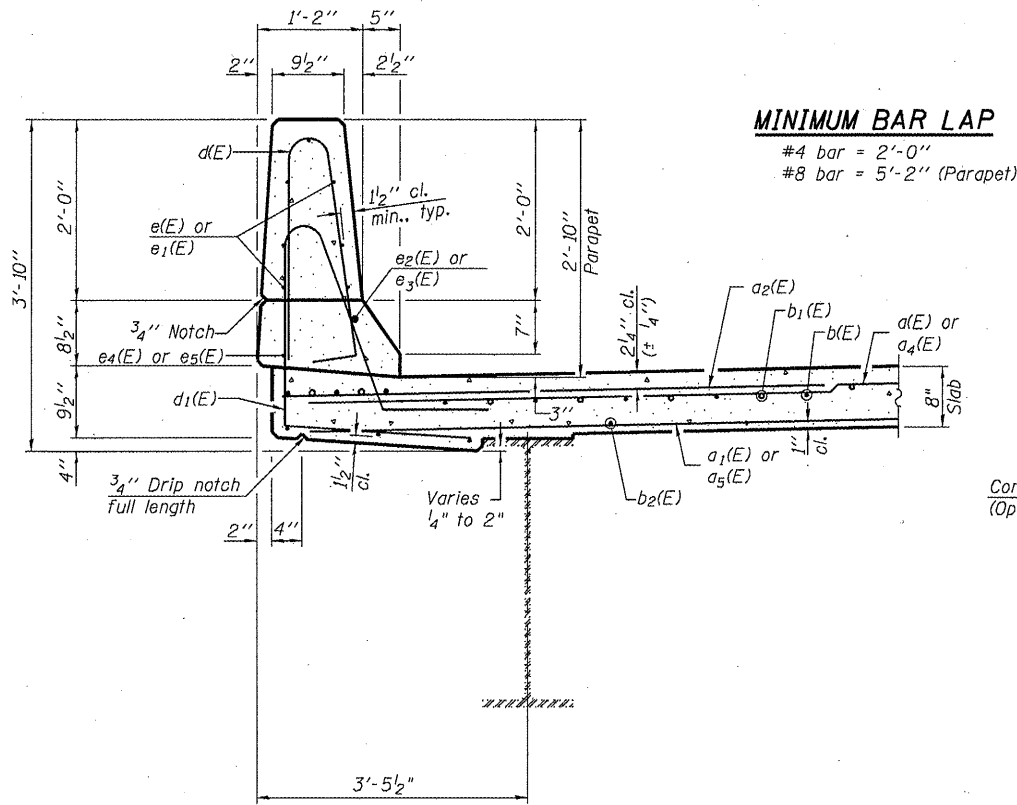


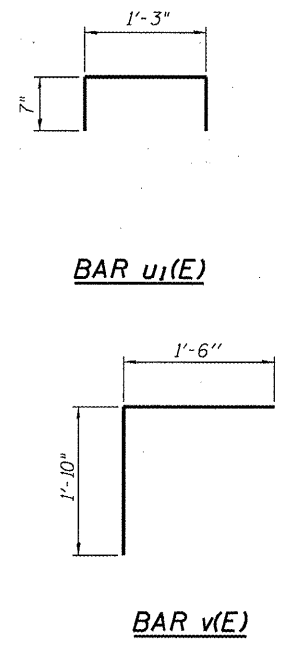
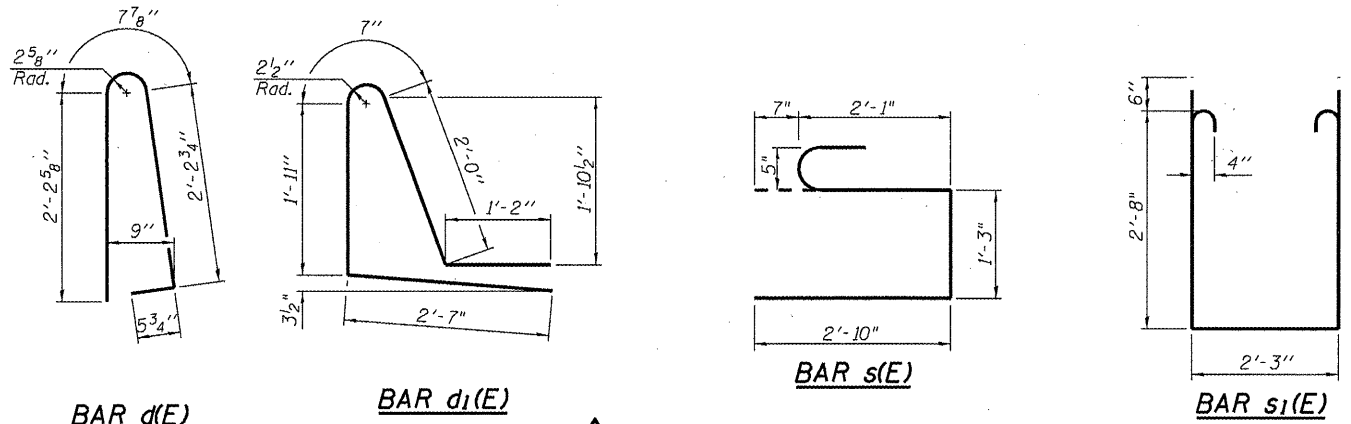
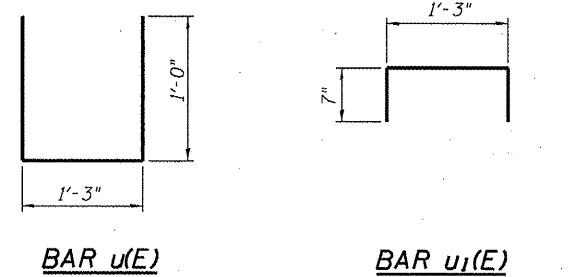
STATE OF ILLINOIS
DEPARTMENT OF TRANSPORTATION



INSIDE ELEVATION OF PARAPET



PARAPET JOINT DETAILS



**SUPERSTRUCTURE
BILL OF MATERIAL**

Bar	No.	Size	Length	Shape
a(E)	225	#5	22'-11"	—
a1(E)	175	#5	22'-9"	—
a2(E)	226	#6	6'-6"	—
a3(E)	4	#5	23'-7"	—
a4(E)	225	#5	18'-11"	—
a5(E)	175	#5	18'-9"	—
a6(E)	4	#5	19'-6"	—
b(E)	230	#5	28'-2"	—
b1(E)	86	#6	30'-0"	—
b2(E)	168	#5	34'-7"	—
d(E)	286	#5	5'-7"	⏏
d1(E)	286	#5	8'-3"	⏏
e(E)	84	#4	13'-7"	—
e1(E)	42	#4	15'-5"	—
e2(E)	8	#8	23'-3"	—
e3(E)	4	#8	26'-1"	—
e4(E)	8	#4	21'-8"	—
e5(E)	4	#4	24'-6"	—
m(E)	20	#6	23'-6"	—
m1(E)	12	#6	10'-1"	—
m2(E)	20	#6	7'-0"	—
m3(E)	8	#6	3'-0"	—
m4(E)	20	#6	19'-5"	—
m5(E)	12	#6	8'-9"	—
s(E)	92	#5	6'-9"	⏏
s1(E)	82	#4	8'-7"	⏏
u(E)	88	#5	3'-3"	⏏
v(E)	88	#5	3'-4"	⏏
Reinforcement Bars, Epoxy Coated			Pound	46,350
Concrete Superstructure			Cu. Yds.	207.4
Bar Splacers			Each	520

Bars indicated thus 1 x 2 - #8 etc. indicates 1 line of bars with 2 lengths per line.

**SUPERSTRUCTURE DETAILS
STRUCTURE NO. 059-0040 (S.B.)**

SHEET NO. 11 31 SHEETS	F.A.I. RTE.	SECTION	COUNTY	TOTAL SHEETS	SHEET NO.
	55	(59, 68)RS-3, BR	Macoupin	137	117
			CONTRACT NO. 72921		
FED. ROAD DIST. NO. 6 ILLINOIS FED. AID PROJECT					

REVISOR'S MARK: **REVISOR'S MARK** 4/20/11