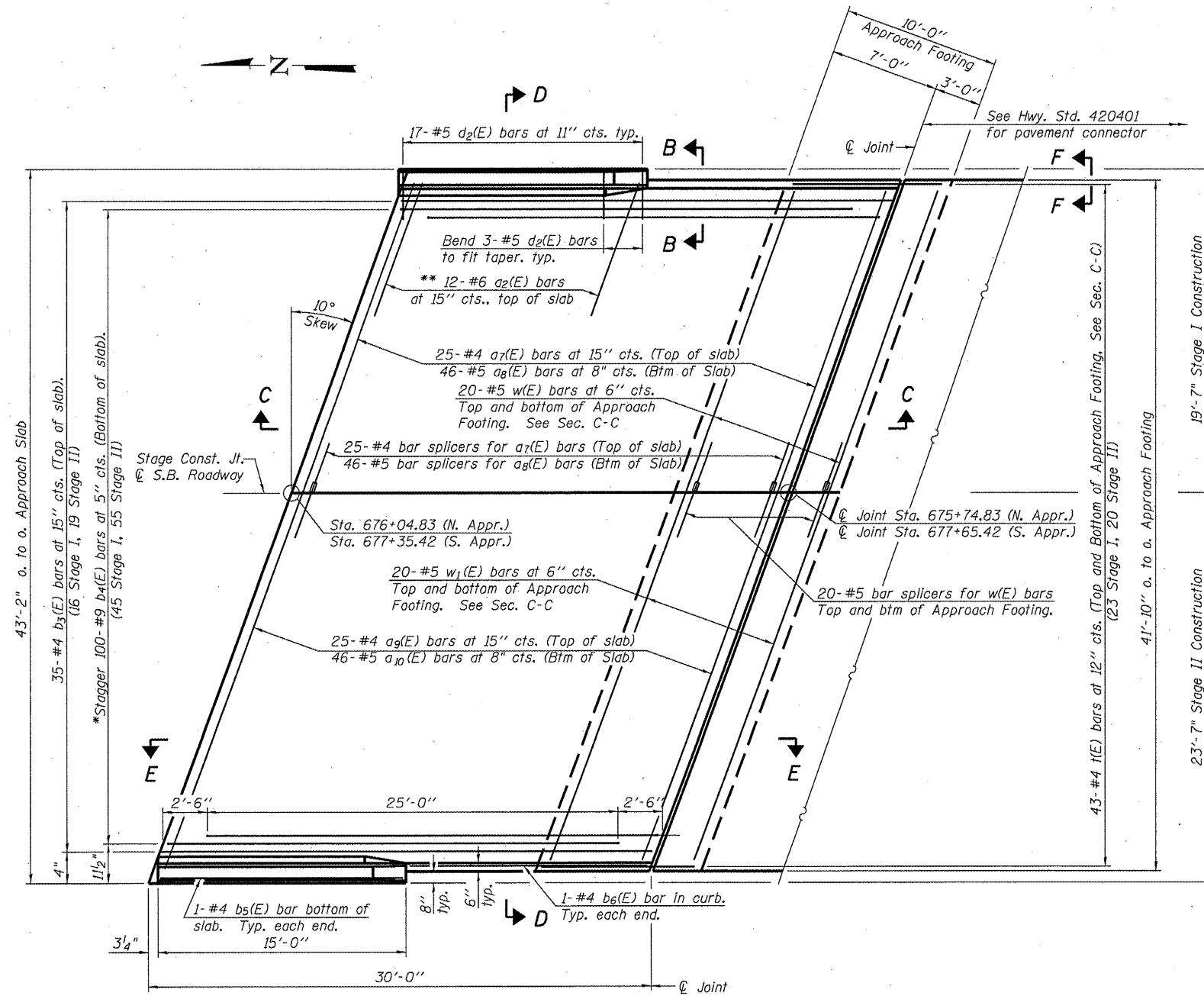


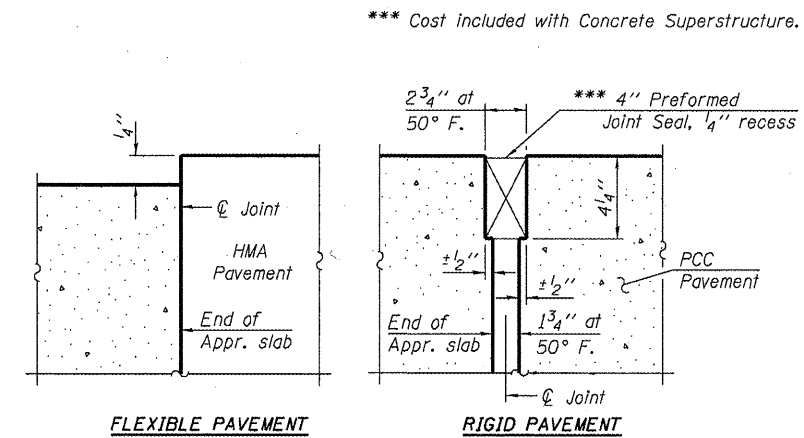
STATE OF ILLINOIS
DEPARTMENT OF TRANSPORTATION

Notes:
See sheet 14 of 31 for Sections C-C & D-D and View E-E.
a₇(E) thru a₁₀(E) bar spacings measured along ϕ Rdwy.

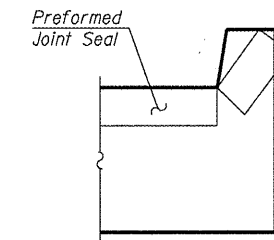
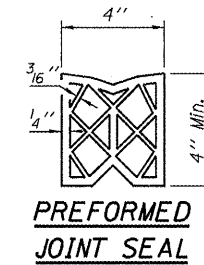


SOUTH APPROACH PLAN
(N. Approach similar)

* Tilt #9 b₄(E) bars as required to maintain clearance.
** Space between a₇(E) bars and a₉(E) bars, typ. each parapet.

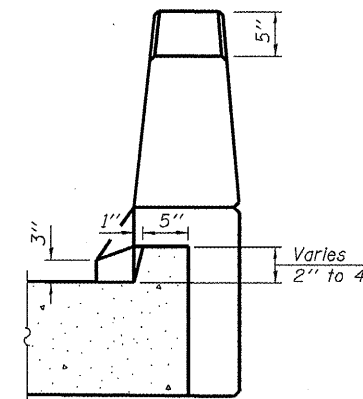


DETAIL A



VIEW F-F

Angle Preformed Joint Seal at 45°
at curbs when req'd for drainage.



VIEW B-B

BRIDGE APPROACH SLAB DETAILS (1 of 2)
STRUCTURE NO. 059-0040 (S.B.)

SHEET NO. 13 31 SHEETS	F.A.I. RTE.	SECTION	COUNTY	TOTAL SHEETS	SHEET NO.
	55	(59, 68)RS-3, BR	Macoupin	137	119
			CONTRACT NO. 72921		
FED. ROAD DIST. NO. 6 ILLINOIS FED. AID PROJECT					

REVISI**ON** SHEET 4/20/11