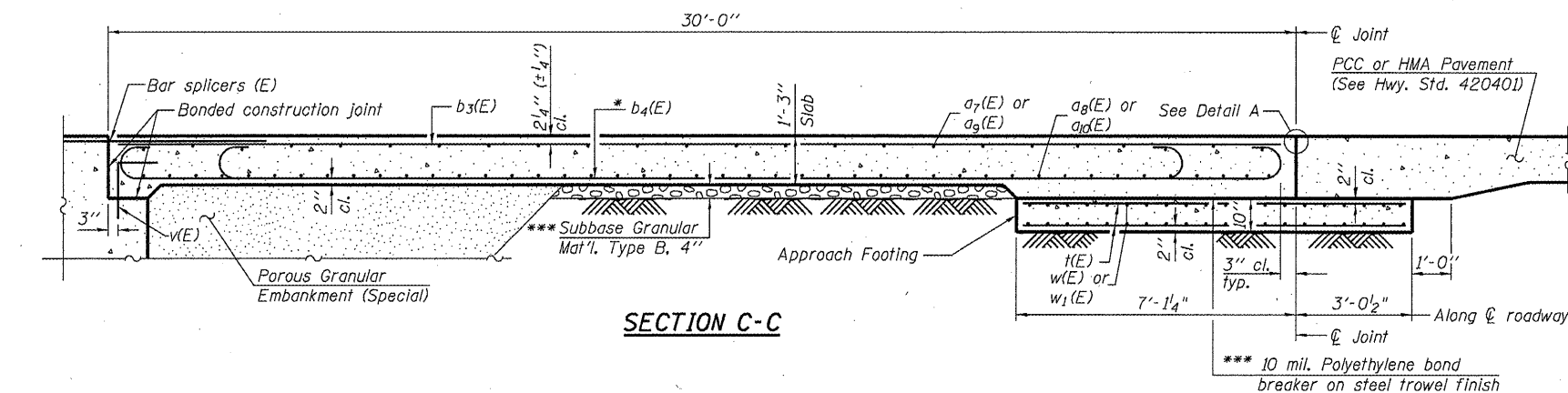
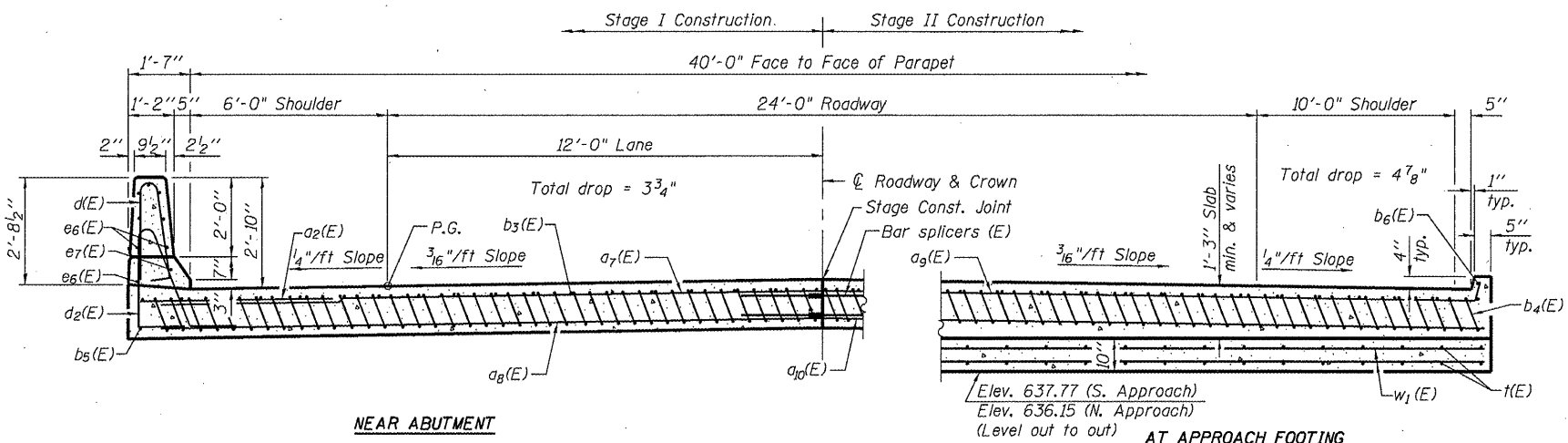


STATE OF ILLINOIS
DEPARTMENT OF TRANSPORTATION

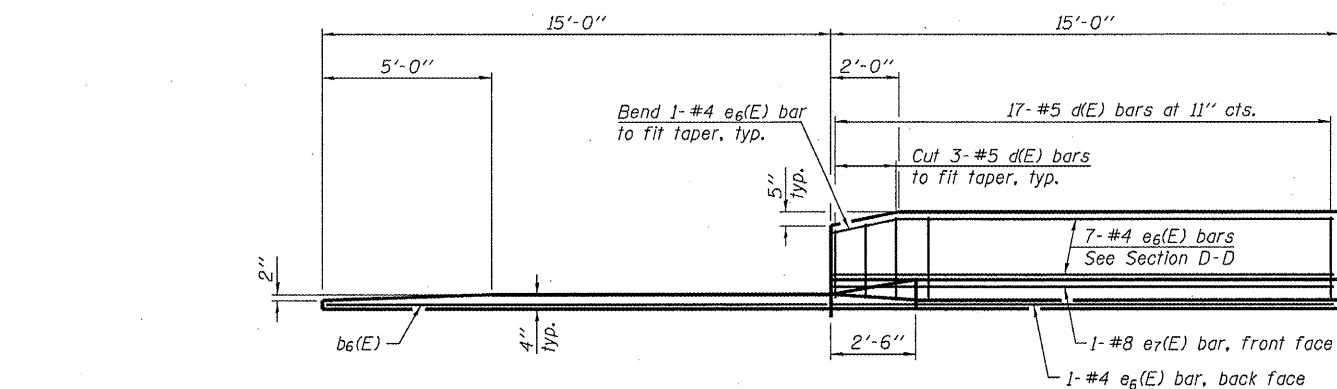
Notes:
See sheet 18 of 31 for Detail A and View B-B.
Approach slab and parapet concrete shall be paid for as Concrete Superstructure.
Approach footing concrete shall be paid for as Concrete Structures.
Reinforcement shall be paid for as Reinforcement Bars, Epoxy Coated.
For v(E) bar details, see sheet 16 of 31.
The approach footing maximum applied service bearing pressure (Omax) = 2.0 ksf.
For bar splicer details, see sheet 30 of 31.
Cost of excavation for approach footing included with Concrete Structures.
For Porous Granular Embankment (Special) and drainage treatment details, see sheet 2 of 31.
For additional parapet details, see sheet 16 of 31.



SECTION C-C

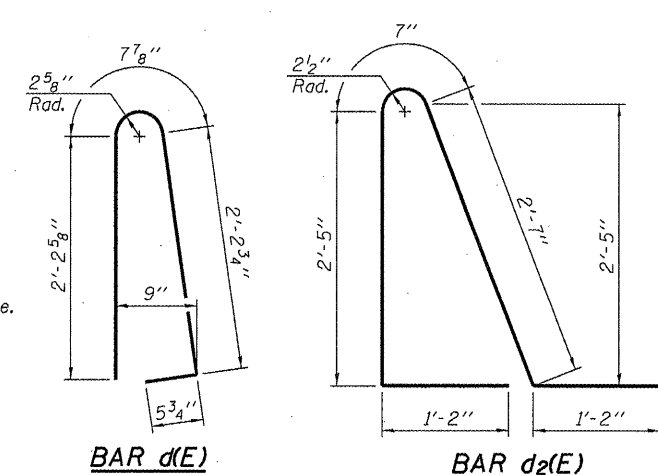


SECTION D-D
(Looking North)
(See Plan for dimensions not shown)



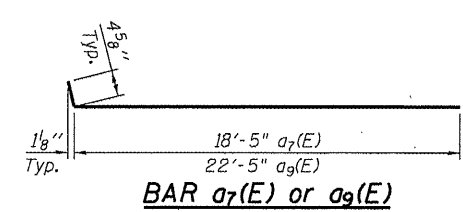
VIEW E-E

* Tilt #9 b4(E) bars as required to maintain clearance.
*** Cost included with Concrete Superstructure.

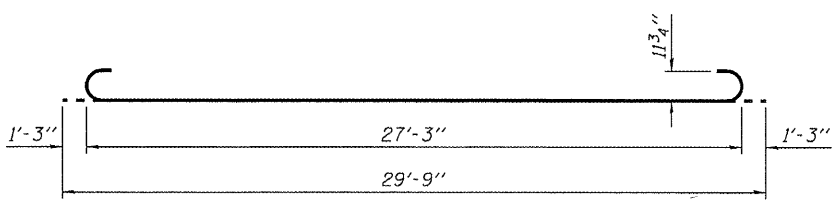


TWO APPROACHES
BILL OF MATERIAL

Bar	No.	Size	Length	Shape
a2(E)	48	#6	6'-6"	—
a7(E)	50	#4	18'-10"	—
a8(E)	92	#5	18'-6"	—
a9(E)	50	#4	22'-10"	—
a10(E)	92	#5	22'-6"	—
b3(E)	70	#4	29'-8"	—
b4(E)	200	#9	29'-9"	—
b5(E)	4	#4	14'-8"	—
b6(E)	4	#4	14'-5"	—
d(E)	68	#5	5'-7"	U
d2(E)	68	#5	7'-11"	U
e6(E)	32	#4	14'-8"	—
e7(E)	4	#8	14'-8"	—
k(E)	172	#4	9'-10"	—
w(E)	80	#5	18'-9"	—
w1(E)	80	#5	22'-10"	—
Concrete Superstructure		Cu. Yd.	132.6	
Concrete Structures		Cu. Yd.	26.2	
Reinforcement Bars, Epoxy Coated		Pound	33,520	
Bar Splicers		Each	222	



BAR a7(E) or a9(E)



BAR b4(E)

BRIDGE APPROACH SLAB DETAILS (2 OF 2)
STRUCTURE NO. 059-0041 (N.B.)

SHEET NO. 19	F.A.I. RTE.	SECTION	COUNTY	TOTAL SHEETS	SHEET NO.
	55	(59, 68)RS-3, BR	Macoupin	137	125
31 SHEETS					
FED. ROAD DIST. NO. 6 ILLINOIS FED. AID PROJECT					

REVISOR'S MARK: A triangle with a vertical line through it, followed by 'REVISED SHEET 4/20/11'