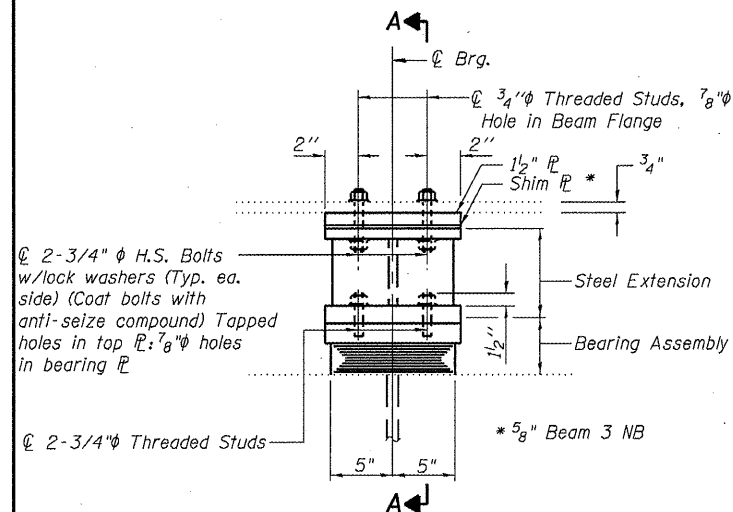
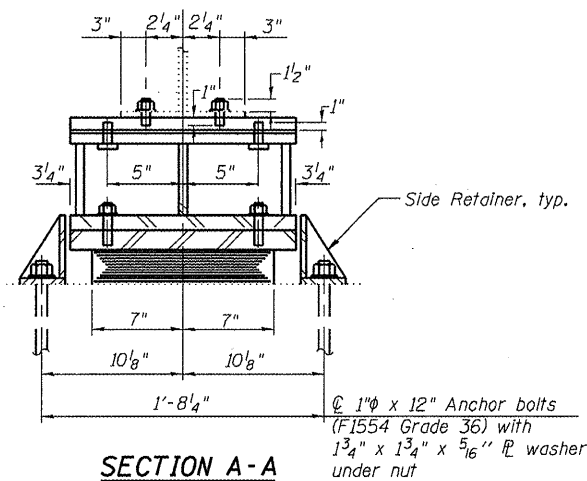


STATE OF ILLINOIS
DEPARTMENT OF TRANSPORTATION

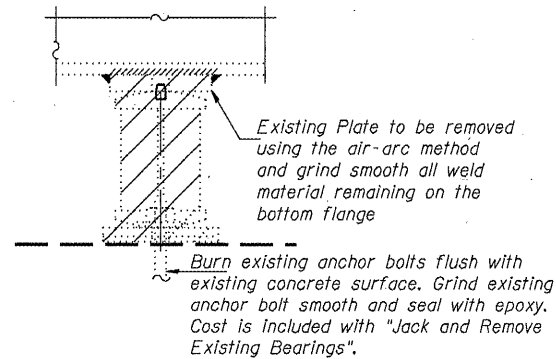


ELEVATION AT PIER

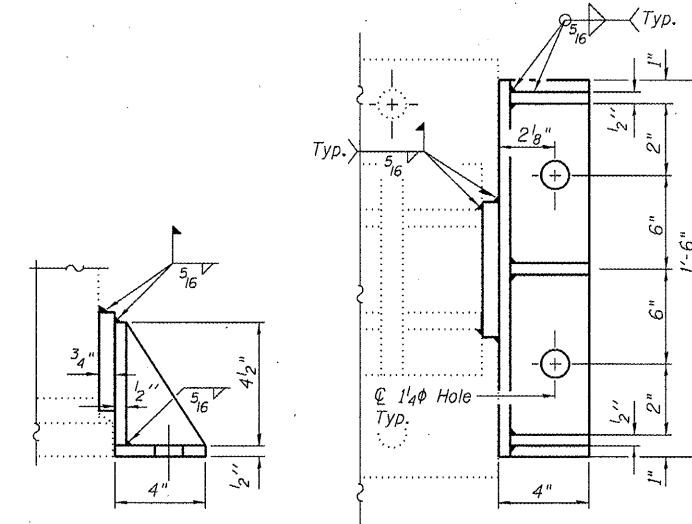
TYPE I ELASTOMERIC EXP. BRG. FOR PIERS



SECTION A-A

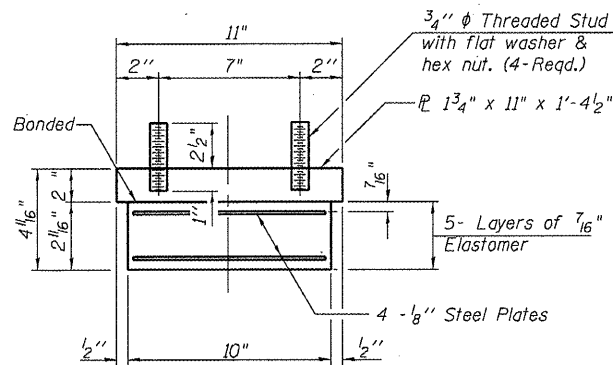


EXISTING BEARING REMOVAL DETAIL



SIDE RETAINER FOR FIXED BEARINGS

Equivalent rolled angle with stiffeners will be allowed in lieu of welded plates.



BEARING ASSEMBLY

Note:
Shim plates shall not be placed under Bearing Assembly.

Notes:
Anchor bolts shall be ASTM F1554 all-thread (or an Engineer-approved alternate material) of the grade(s) and diameter(s) specified. ASTM A307 Grade C anchor bolts may be used in lieu of ASTM F1554 Grade 36 (Fy=36ksi). The corresponding specified grade of AASHTO M314 anchor bolts may be used in lieu of ASTM F1554.
Drilled and set anchor bolts shall be installed according to Article 521.06 of the Standard Specifications.
Side retainers and other steel members required for the bearing assembly shall be included in the cost of Elastomeric Bearing Assembly, Type I.
Steel Extensions, Shims and Bolts shall be included in the cost of Furnishing and Erecting Structural Steel.
Two 1/8" adjusting shims shall be provided for each bearing in addition to all other plates or shims and placed as shown on bearing details.
Fasteners shall be AASHTO M164 Type I, mechanically galvanized bolts. Bolts 3/4" in 1/2" holes, unless otherwise noted.
Painting of steel shall be according to Article 506.05 of the Standard Specifications.

Prior to ordering any material for shims or extensions, the contractor shall verify in the field all bearing height and shim thickness dimensions.

BEAM REACTIONS

(for SN 059-0040)

R _D (k)	56.5
R _L (k)	42.4
Imp. (k)	10.0
R (Total)(k)	108.9

Min. Jack capacity = 6 Tons **

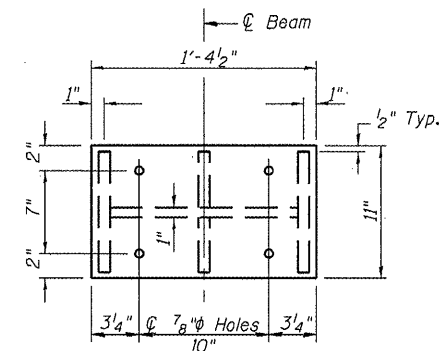
BEAM REACTIONS

(for SN 059-0041)

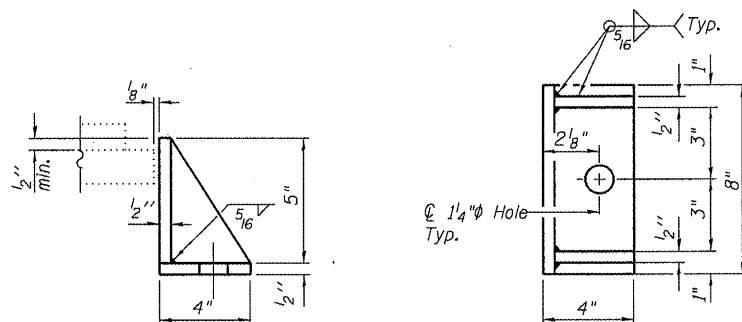
R _D (k)	51.9
R _L (k)	41.8
Imp. (k)	10.2
R (Total)(k)	103.9

Min. Jack capacity = 6 Tons **

** Capacity with concrete deck removed.
60 tons with existing deck not removed.

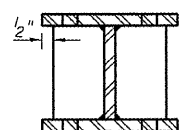


PLAN STEEL EXTENSION

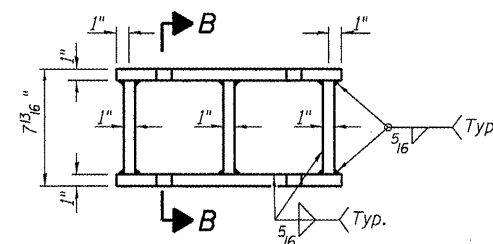


SIDE RETAINER

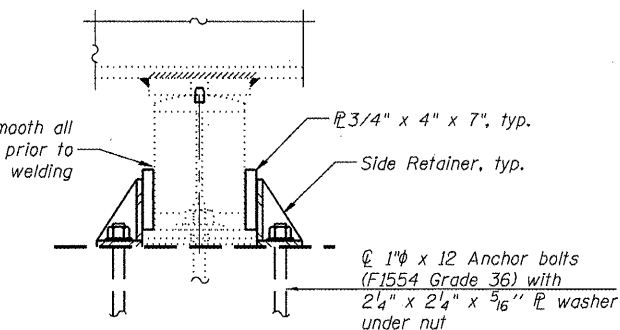
Equivalent rolled angle with stiffeners will be allowed in lieu of welded plates.



SECTION B-B



ELEVATION STEEL EXTENSION



FIXED BEARINGS RETAINERS

Note:
Side retainers and other steel members required for the fixed bearing retainers shall be included in the cost of Furnishing and Erecting Structural Steel.

BILL OF MATERIAL

Item	Unit	Total
Elastomeric Bearing Assembly Type I	Each	12
Anchor Bolts, 1"	Each	72
Jack & Remove Exist. Bearings	Each	12
Furnishing & Erecting Structural Steel	Pound	4,011

PIER BEARING DETAILS
STRUCTURE NO. 059-0040 (S.B.)
STRUCTURE NO. 059-0041 (N.B.)

SHEET NO. 23 31 SHEETS	F.A.I. RTE.	SECTION	COUNTY	TOTAL SHEETS	SHEET NO.
	55	(59, 68)RS-3, BR	Macoupin	137	129
			CONTRACT NO. 72921		
FED. ROAD DIST. NO. 6 ILLINOIS FED. AID PROJECT					

REVISOR: [Symbol] REVISED SHEET 4/20/11