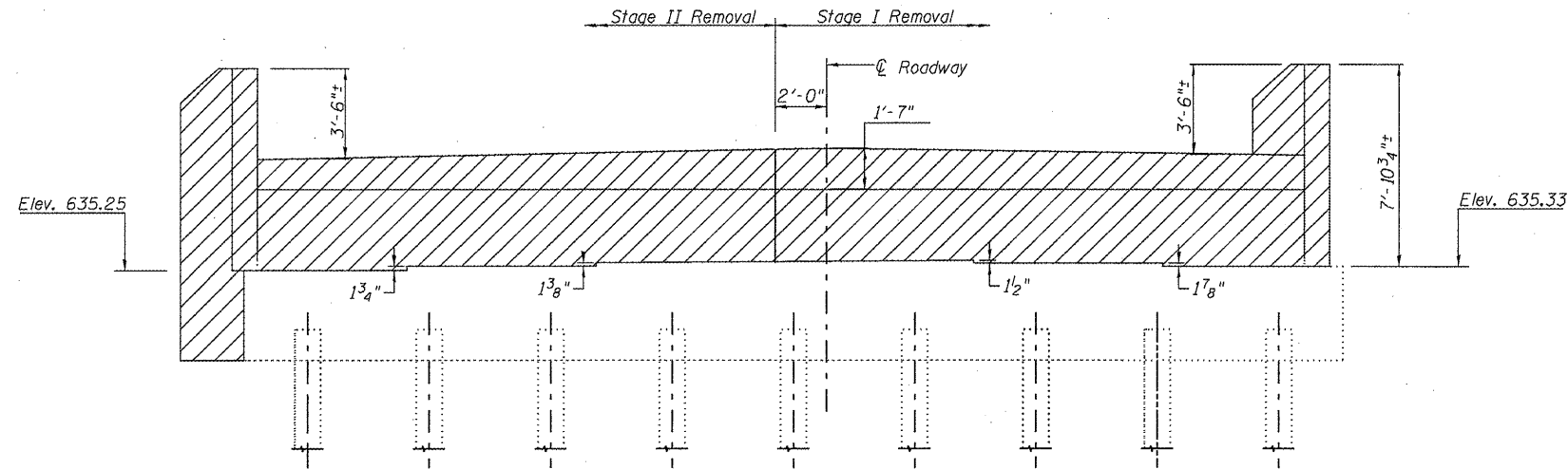
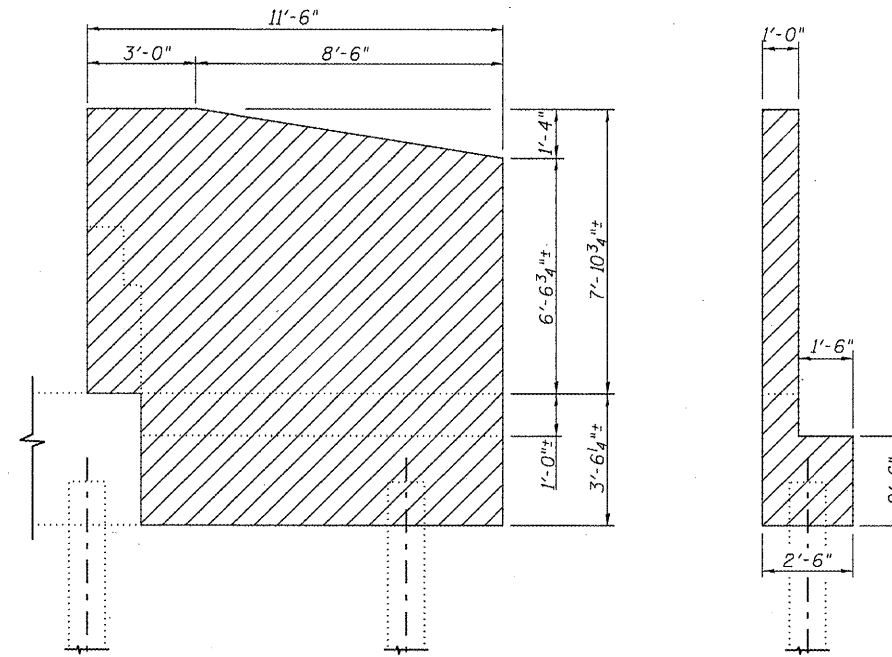


STATE OF ILLINOIS
DEPARTMENT OF TRANSPORTATION

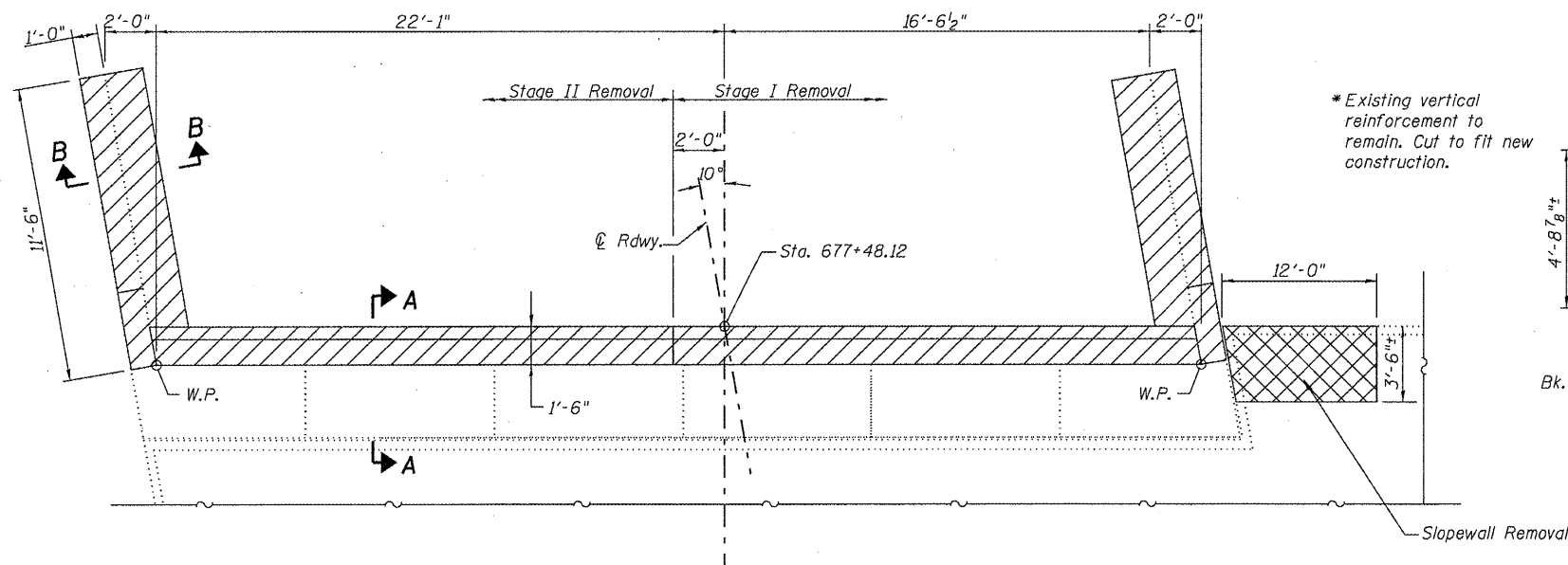


ELEVATION
South Abut. (Looking South)



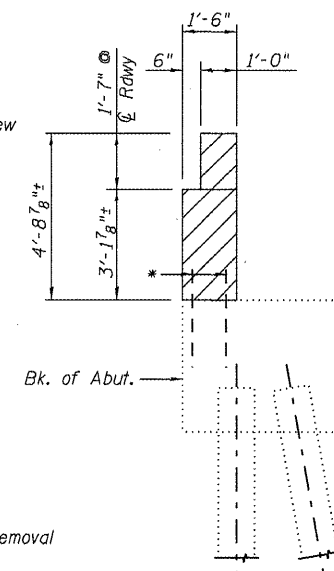
OUTSIDE ELEVATION OF WINGWALL

SECTION B-B



PLAN
South Abut.

* Existing vertical reinforcement to remain. Cut to fit new construction.



SECTION A-A

Note:
Existing vertical reinforcement extending into the new construction shall be cleaned and incorporated into the new construction. Cost included with Concrete Removal. Hatched area indicates Concrete Removal. Cross hatched area indicates Slopewall Removal. Existing reinforcement not extending into the areas of new construction shall be cut at the removal line and removed. Exposed portion shall be cleaned and coated with a layer of epoxy. Cost included with Concrete Removal.

BILL OF MATERIAL

Item	Unit	Total
Concrete Removal	Cu. Yd.	20.0
Slopewall Removal	Sq. Yd.	5

(Sheet 1 of 2)
CONCRETE REMOVAL
STRUCTURE NO. 059-0041 (N.B.)

SHEET NO. 26	F.A.I. RTE.	SECTION	COUNTY	TOTAL SHEETS	SHEET NO.
31 SHEETS	55	(59, 68)RS-3, BR	Macoupin	137	132
			CONTRACT NO. 72921		
FED. ROAD DIST. NO. 6 ILLINOIS FED. AID PROJECT					

REVISIED SHEET 4/20/11