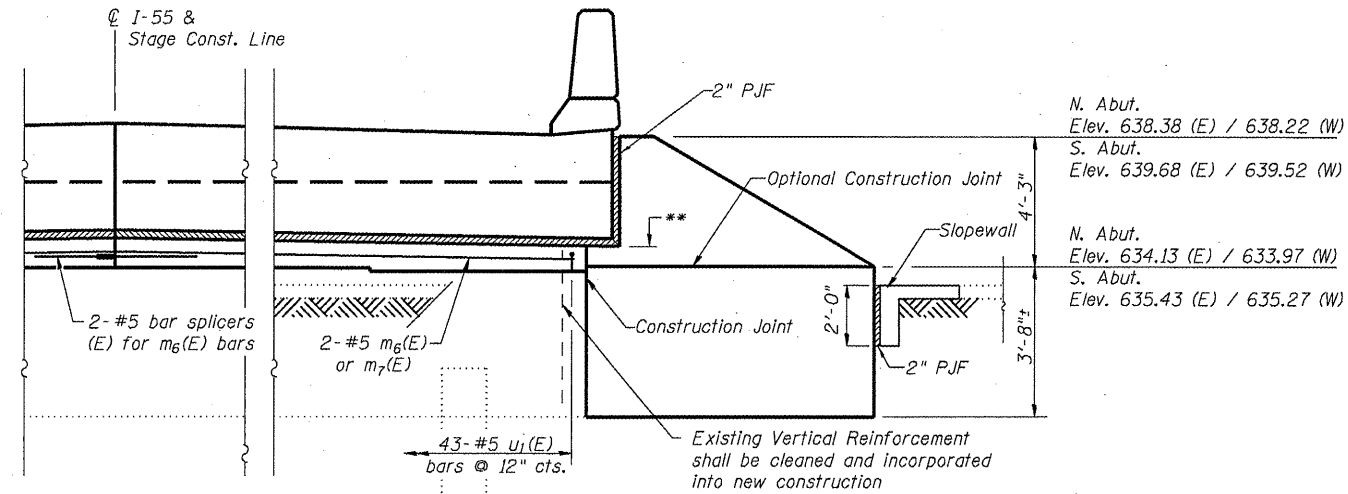
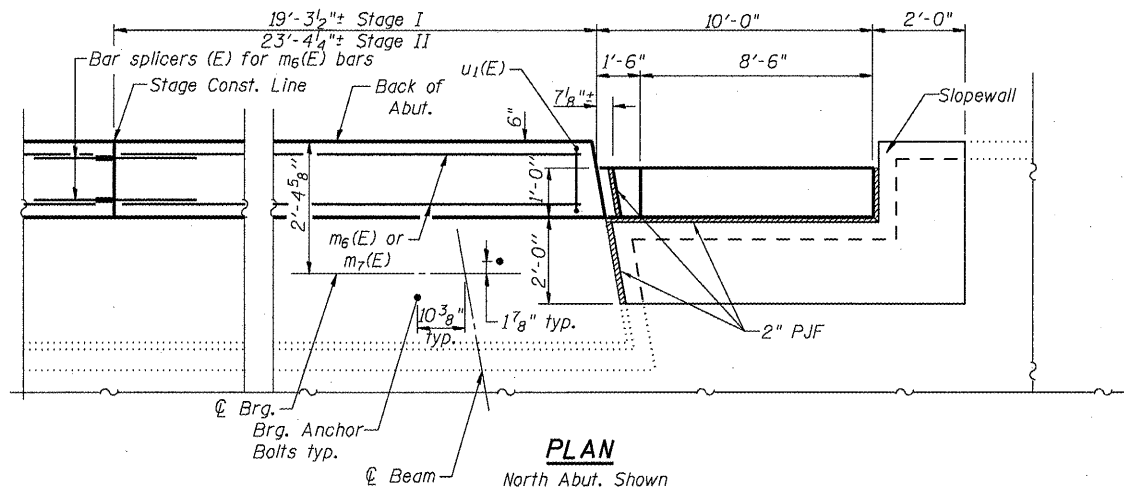


STATE OF ILLINOIS
DEPARTMENT OF TRANSPORTATION



ELEVATION

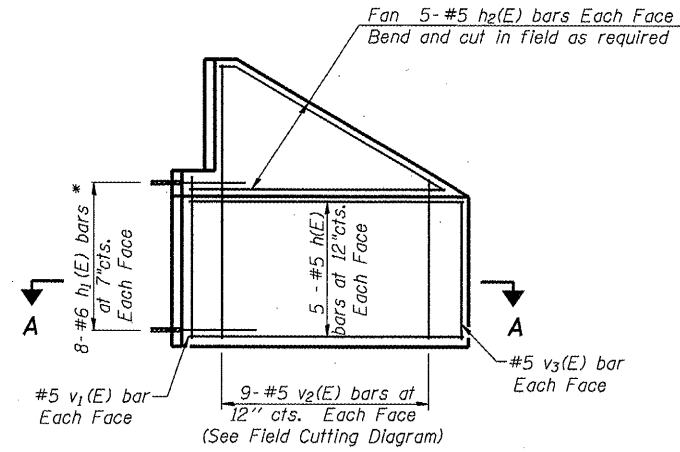
North Abut. (Looking North)
(South Abut. Similar)



PLAN

North Abut. Shown
(South Abut. Similar)

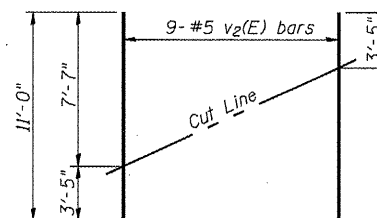
** N. Abut. Elev. 634.80 (E)
N. Abut. Elev. 634.64 (W)
S. Abut. Elev. 636.10 (E)
S. Abut. Elev. 635.94 (W)



SECTION A-A

* Epoxy grout #6 bars in 1" holes 9" min. into existing abutment. All work shall be in accordance with Section 584 of the Standard Specifications. All work shall be inspected and approved by engineer. The cost of this work including all materials & labor shall be included in the cost per cu. yd. of Concrete Structures.

Note:
Slope wall shall be reinforced with welded wire fabric, 6 in. x 6 in. - W4.0 x W4.0, weighing 58 lbs. per 100 sq. ft.



FIELD CUTTING DIAGRAM

Order v2(E) full length. Cut as shown and use remainder of bars in opposite face.

BILL OF MATERIAL

(2 Locations)

Bar	No.	Size	Length	Shape
h(E)	40	#5	9'-6"	—
h1(E)	64	#6	6'-0"	—
h2(E)	40	#5	10'-0"	—
m6(E)	4	#5	23'-0"	—
m7(E)	4	#5	18'-11"	—
u1(E)	86	#5	2'-5"	U
v1(E)	8	#5	4'-4"	—
v2(E)	36	#5	11'-0"	—
v3(E)	8	#5	3'-4"	—
Structure Excavation			Cu. Yd.	240
Concrete Structures			Cu. Yd.	12.5
Reinforcement Bars, Epoxy Coated			Pound	2,260
Slopewall, 4 inch			Sq. Yd.	6
Bar Splicers			Each	4

**WINGWALL AND SLOPEWALL DETAILS
STRUCTURE NO. 059-0040 (S.B.)**

SHEET NO. 28 31 SHEETS	F.A.I. RTE. 55	SECTION (59, 68)RS-3, BR	COUNTY Macoupin	TOTAL SHEETS 137	SHEET NO. 134
	CONTRACT NO. 72921			FED. ROAD DIST. NO. 6 ILLINOIS FED. AID PROJECT	

REVISI... SHEET 4/20/11