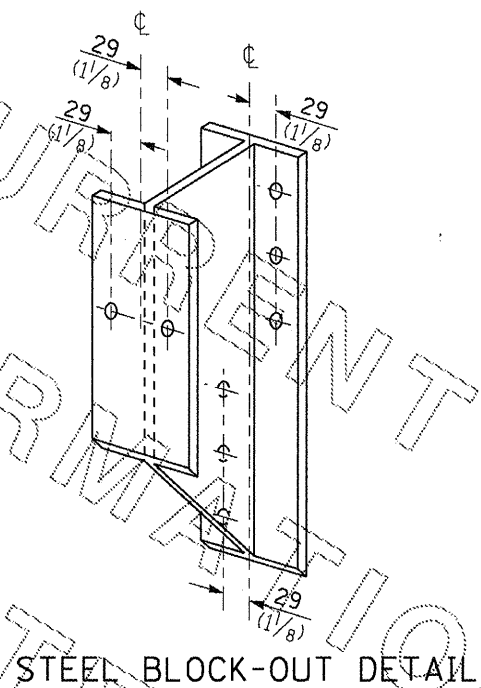
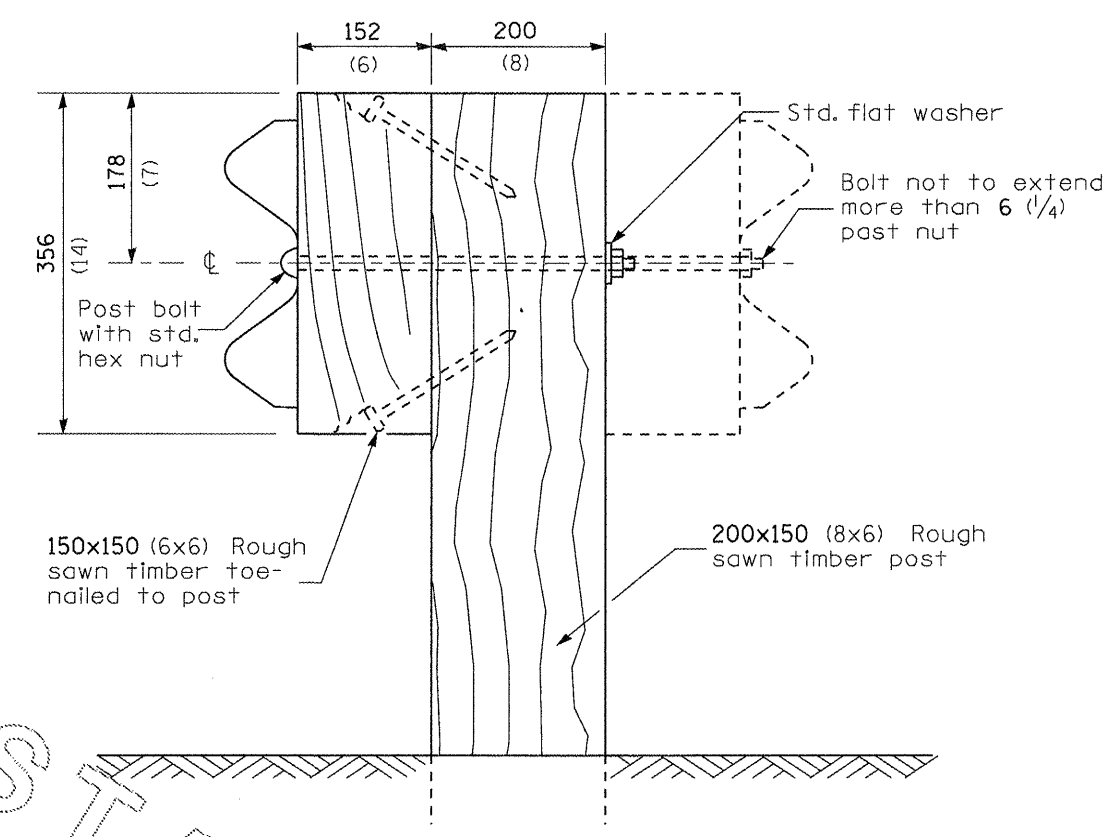


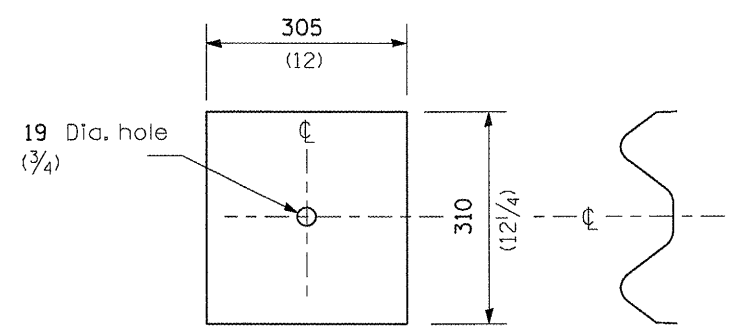
STEEL POST CONSTRUCTION



STEEL BLOCK-OUT DETAIL



WOOD POST CONSTRUCTION

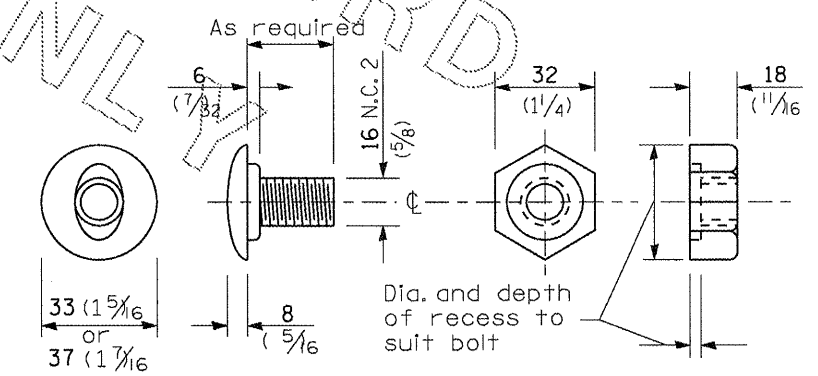


NOTE

Plate A shall be placed between rail element and block-out at non-splice mounting points only when steel block-outs are used.

PLATE A

**NOTE:**  
 THIS DETAIL SHALL BE USED FOR GUARDRAIL REPAIRS WHERE NEW STEEL PLATE BEAM GUARDRAIL AND TERMINAL SECTIONS WILL BE TIED INTO EXISTING STEEL PLATE BEAM GUARDRAIL AS WELL AS FOR REMOVING AND RE-ERECTING THE RAIL ELEMENT.



POST OR SPLICE BOLT & NUT

FILE NAME =	USER NAME = laughlinr1	DESIGNED -	REVISED -	<b>STATE OF ILLINOIS DEPARTMENT OF TRANSPORTATION</b>	<b>D6 GUARDRAIL END REPL GUARDRAIL MODIFICATION SHEETS</b>			F.A.P. RTE.	SECTION	COUNTY	TOTAL SHEETS	SHEET NO.
c:\pwork\pwork\laughlinr1\0240307\067	ZE07-ght-guardrail-modification.dgn	DRAWN -	REVISED -					VAR.	..	.	27	18
	PLOT SCALE = 100.00000 ' / in.	CHECKED -	REVISED -		SCALE: SHEET NO. OF SHEETS STA. TO STA.			ILLINOIS FED. AID PROJECT CONTRACT NO. 72E07				
	PLOT DATE = Dec-16-2010 09:47:24AM	DATE	REVISED -		** D6 GUARDRAIL END REPL 2011 * CHRISTIAN MACOUPIN							