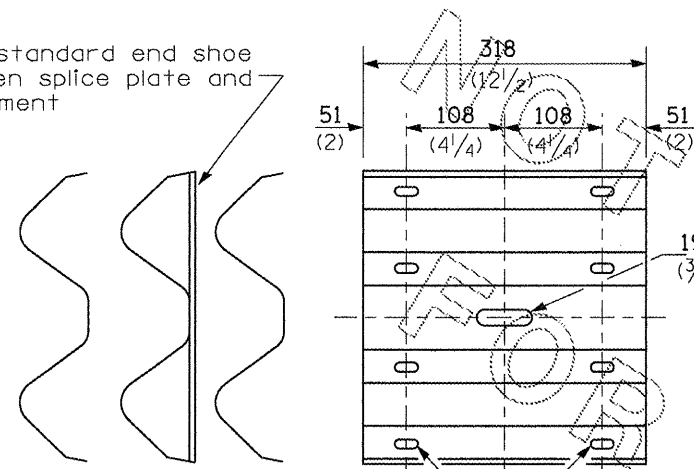
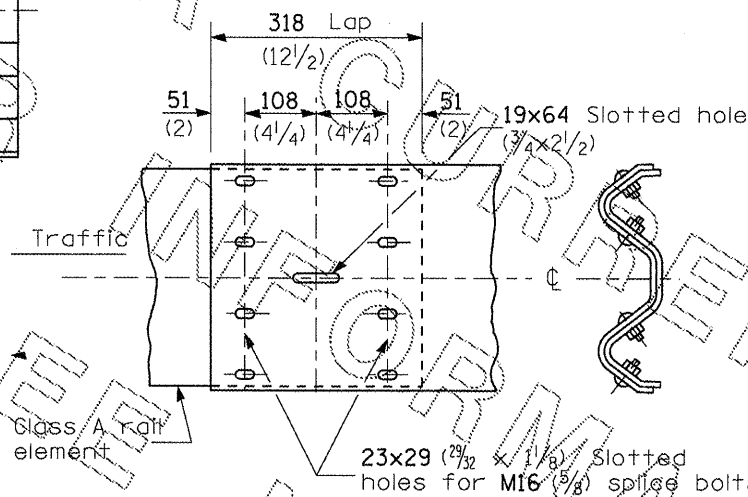


Place standard end shoe between splice plate and rail element



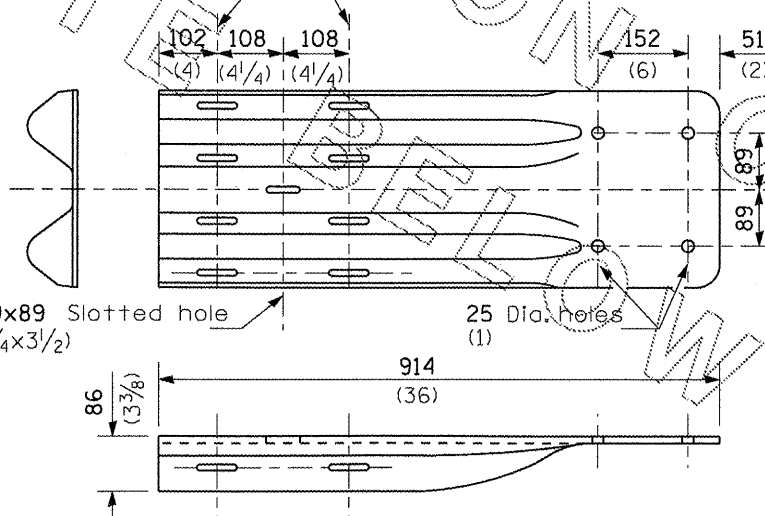
23x29 Slotted holes (2 3/8 x 1 1/8)

SPLICE PLATE



RAIL ELEMENT SPLICE

23x76 (7/8 x 3) Slots for splice bolts with std. galv. washer placed under locknut



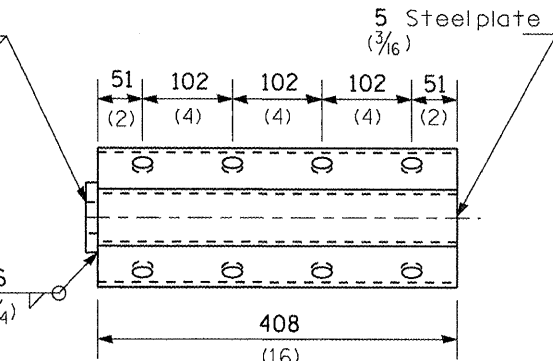
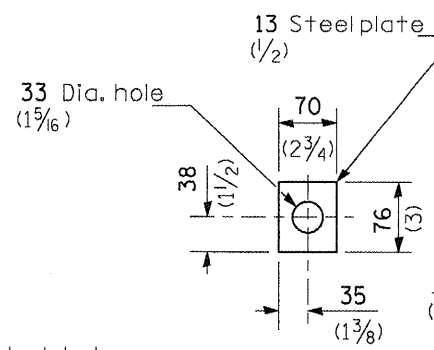
NOTE

When end shoe is attached to a bridge parapet which has an expansion joint, the bolts shall be provided with a locknut or double nut and shall be tightened only to a point that will allow guardrail movement.

The standard end shoe shall be attached to the concrete with pre-drilled or self-drilling anchor bolts. The anchor cone shall be set flush with the surface of the concrete.

Externally threaded studs protruding from the surface of the concrete will not be permitted.

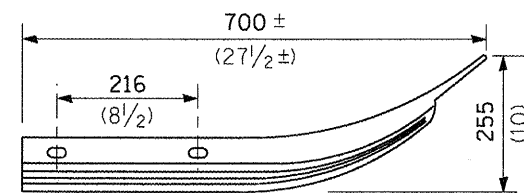
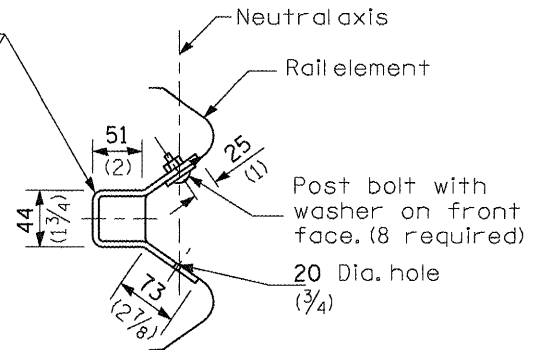
END SHOE



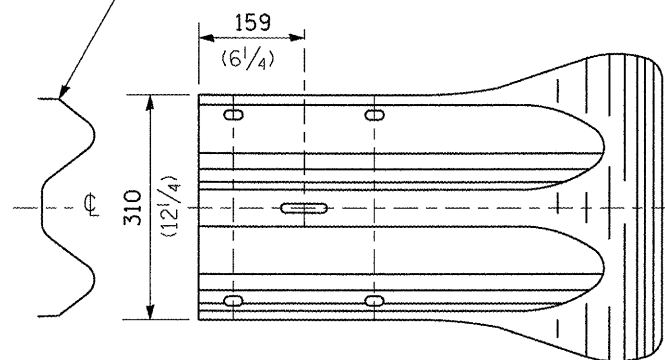
NOTE

Anchor plate T shall be used to attach cable assembly to guardrail when required on traffic barrier terminals.

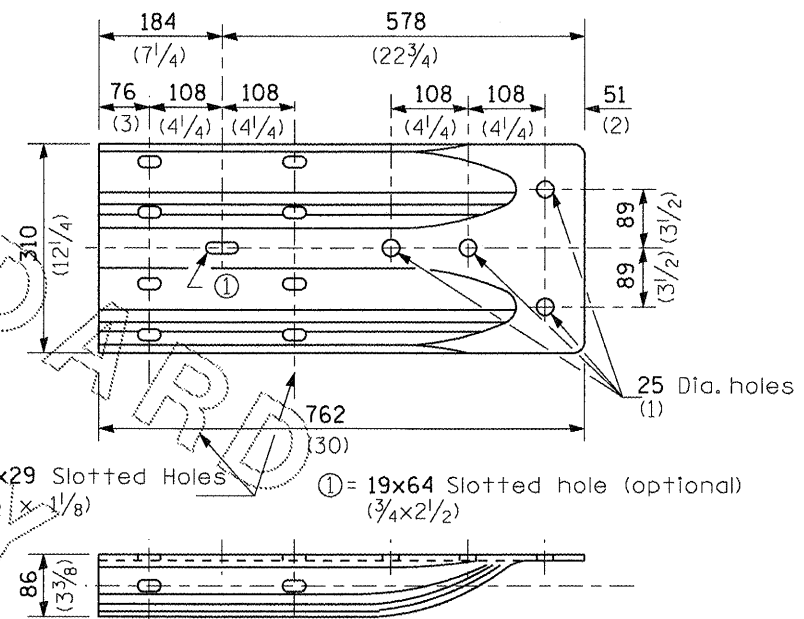
ANCHOR PLATE T DETAILS



Class A rail element



END SECTION



ALTERNATE END SHOE

NOTE:

THIS DETAIL SHALL BE USED FOR GUARDRAIL REPAIRS WHERE NEW STEEL PLATE BEAM GUARDRAIL AND TERMINAL SECTIONS WILL BE TIED INTO EXISTING STEEL PLATE BEAM GUARDRAIL AS WELL AS FOR REMOVING AND RE-ERECTING THE RAIL ELEMENT.

FILE NAME =
c:\pwork\pwork\leughlin\1\0240307\06

USER NAME = leughlin
ZEB7-ah-guar-drail-modification.dgn
PLOT SCALE = 100.0000 / in.
PLOT DATE = Dec-16-2010 09:47:25AM

DESIGNED -	REVISED -
DRAWN -	REVISED -
CHECKED -	REVISED -
DATE -	REVISED -

**STATE OF ILLINOIS
DEPARTMENT OF TRANSPORTATION**

**D6 GUARDRAIL END REPL
GUARDRAIL MODIFICATION SHEETS**

F.A.P. RTE.	SECTION	COUNTY	TOTAL SHEETS	SHEET NO.
VAR.	**	*	27	19
CONTRACT NO. 72E07			ILLINOIS FED. AID PROJECT	

** D6 GUARDRAIL END REPL 2011

* CHRISTIAN MACOUPIN