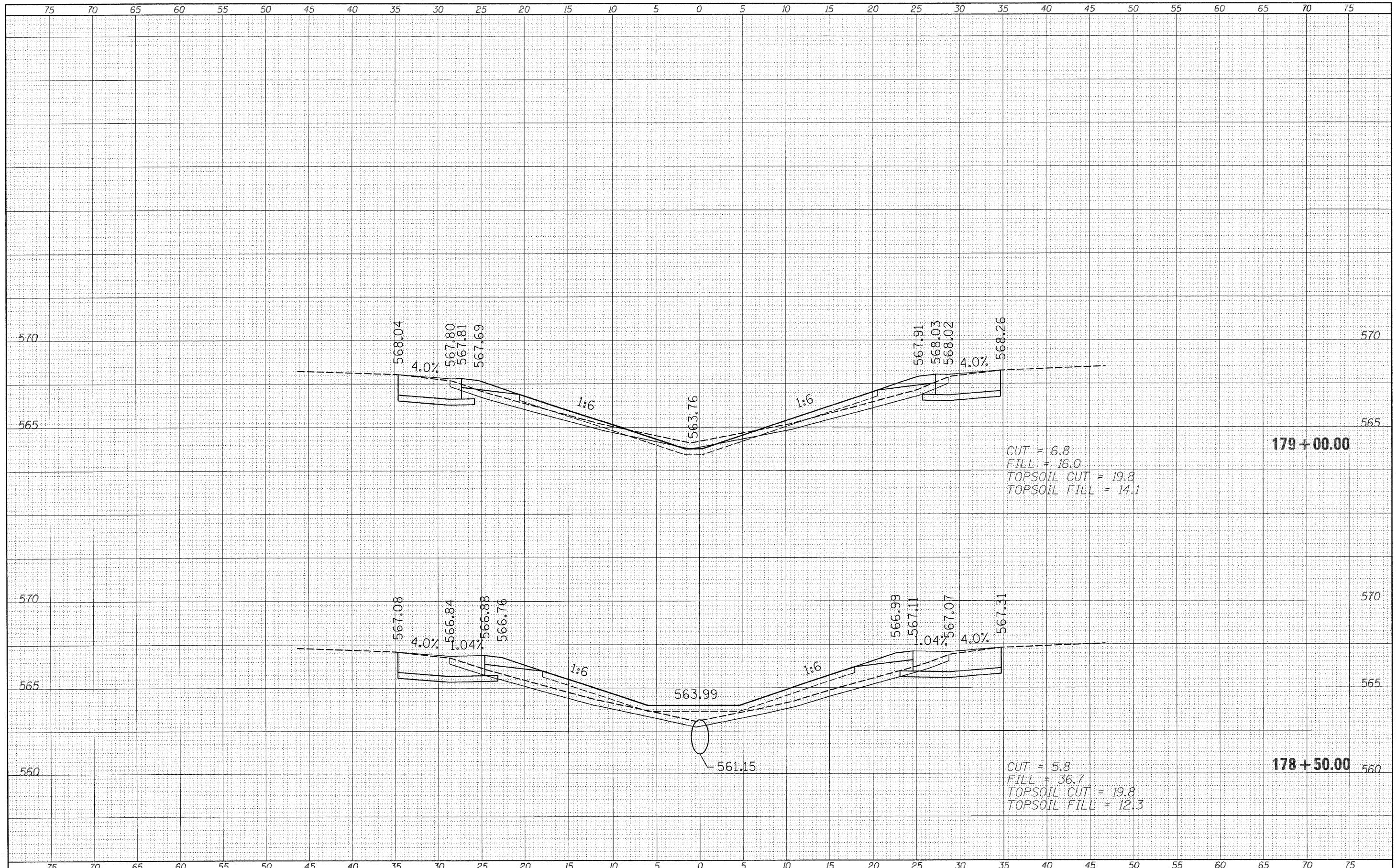


DATE: _____
 BY: _____
 FINISHED SURVEY PLOTTED _____
 NO. _____ AREAS CHECKED _____

DATE: _____
 BY: _____
 ORIGINAL SURVEY PLOTTED _____
 NO. _____ AREAS CHECKED _____



CUT = 6.8
 FILL = 16.0
 TOPSOIL CUT = 19.8
 TOPSOIL FILL = 14.1

CUT = 5.8
 FILL = 36.7
 TOPSOIL CUT = 19.8
 TOPSOIL FILL = 12.3

FILE NAME =	USER NAME = skwartzw	DESIGNED -	REVISED -	STATE OF ILLINOIS DEPARTMENT OF TRANSPORTATION	CROSS SECTIONS EAST CROSSOVER		FAI RTE.	SECTION	COUNTY	TOTAL SHEETS	SHEET NO.	
c:\pw\work\pvidot\skwartzw\d0287383\0774481-sh	-xsh-t2.dgn	DRAWN -	REVISED -		SCALE: 5	SHEET NO. 20 OF 22 SHEETS	STA. 178+50.00 TO STA. 179+00.00	70	(18-47)I	CUMBERLAND	47	45
	PLOT SCALE = 5.0000 "/> IN.	CHECKED -	REVISED -									
	PLOT DATE = 1/31/2011	DATE -	REVISED -									
										CONTRACT NO. 74481		
										ILLINOIS FED. AID PROJECT		