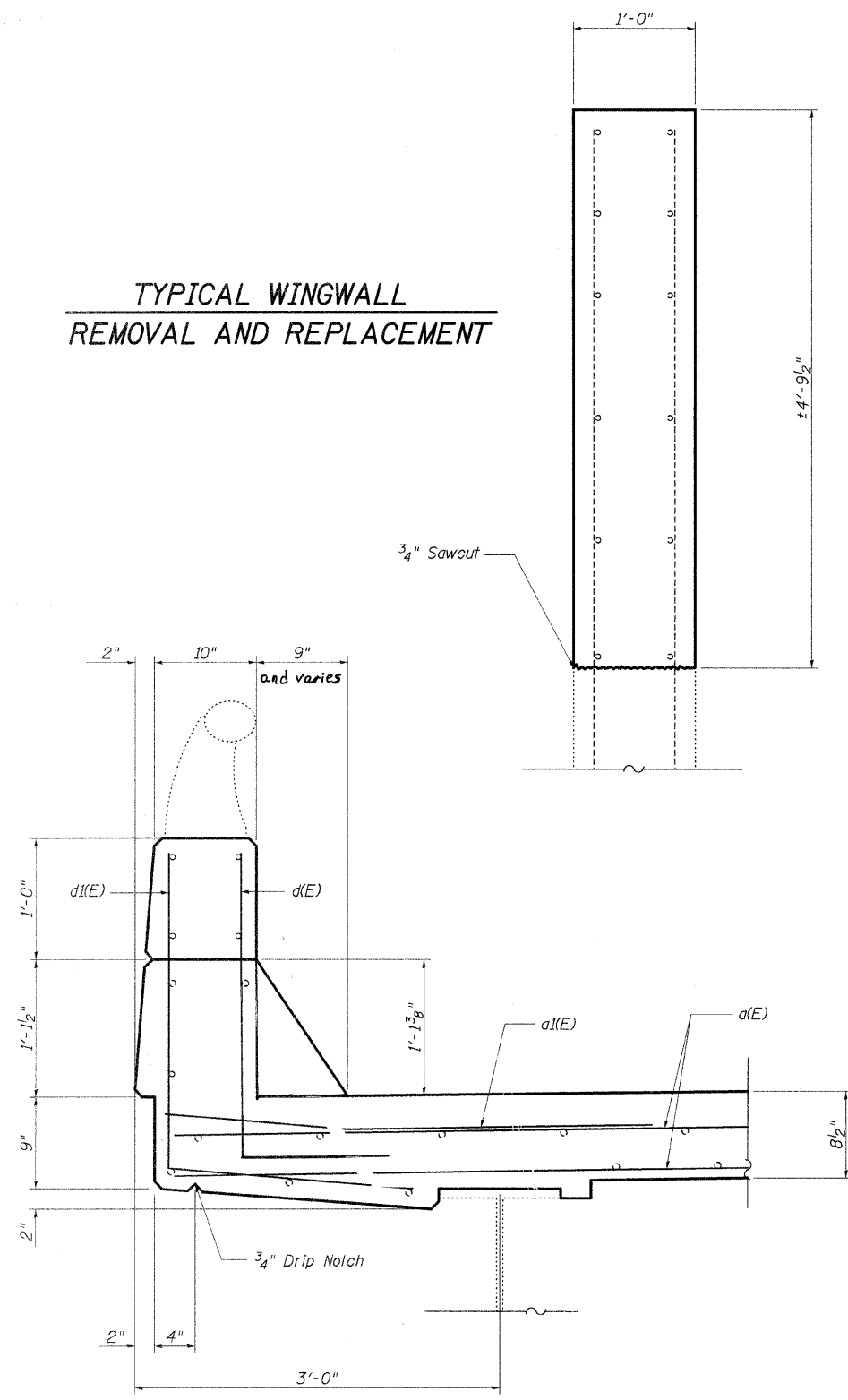
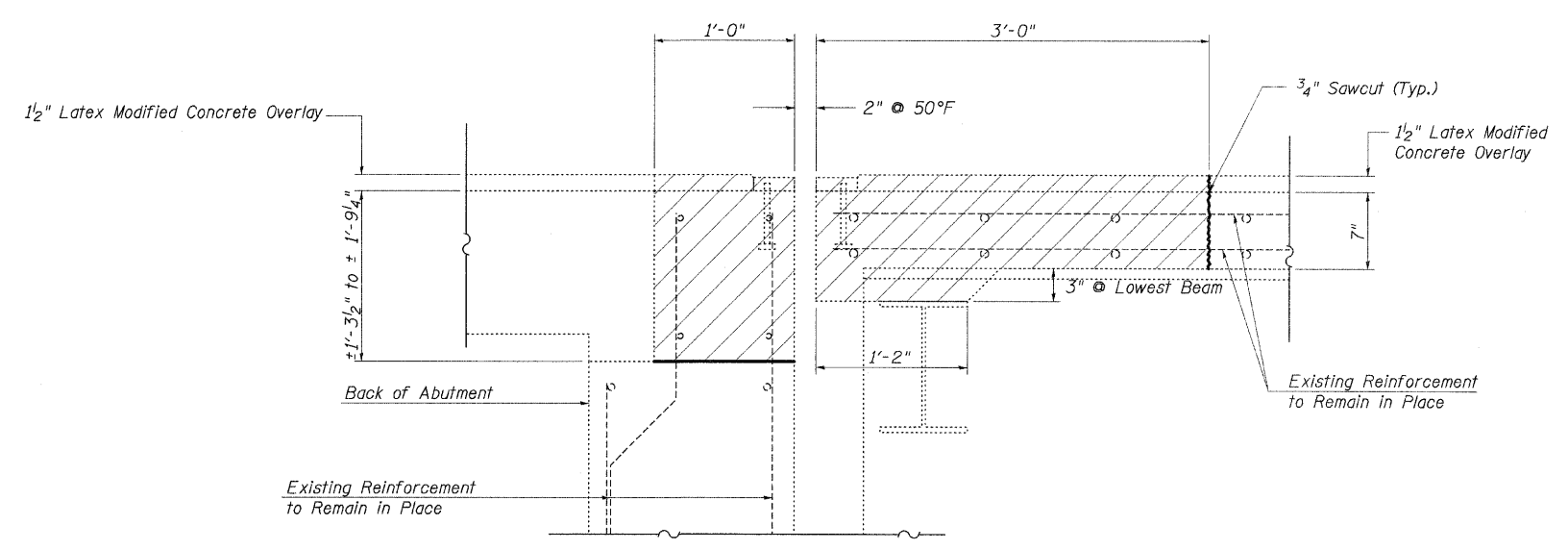


**TYPICAL WINGWALL
REMOVAL AND REPLACEMENT**



SECTION THRU PARAPET

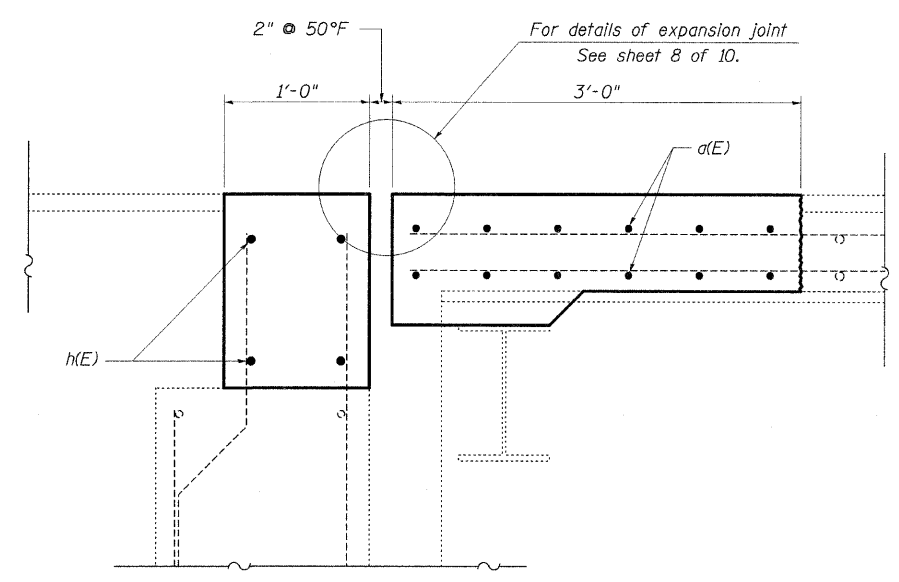
Hatched area indicates removal.



SECTION A-A

(Dimensions at Rt. L's to end of deck)

- Existing Reinforcement
- Proposed Reinforcement



SECTION B-B

(Dimensions at Rt. L's to end of deck)

FILE NAME =	USER NAME = teasleyck	DESIGNED - KLB	REVISED -	STATE OF ILLINOIS DEPARTMENT OF TRANSPORTATION	EXPANSION JOINT REPLACEMENT DETAILS SN. 012-0048		F.A.P. RTE.	SECTION	COUNTY	TOTAL SHEETS	SHEET NO.
c:\pwork\pwork\teasleyck\38209700\07	4494-sht-brdetails-0120048.dgn	DRAWN - KLB	REVISED -				832	.	Clark	31	24
	PLOT SCALE = 20.0000' / IN.	CHECKED - MEA	REVISED -				CONTRACT NO. 74494				
	PLOT DATE = 2/18/2011	DATE - 12/07/2010	REVISED -				SCALE:	SHEET NO. 5 OF 10 SHEETS	STA.	TO STA.	ILLINOIS FED. AID PROJECT