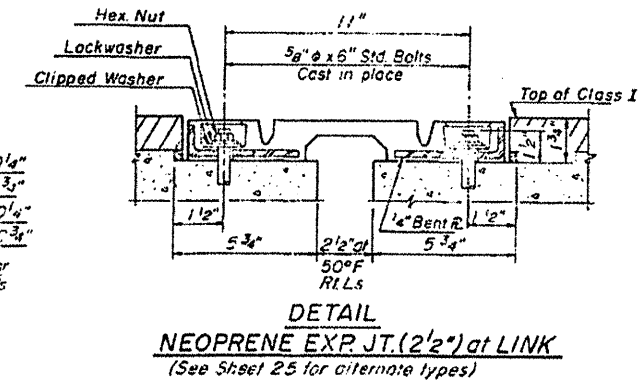
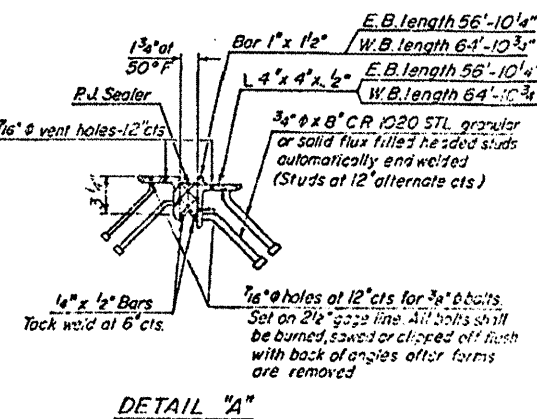
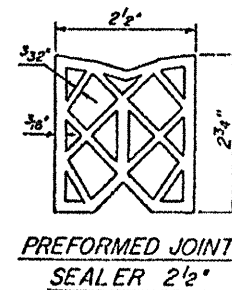
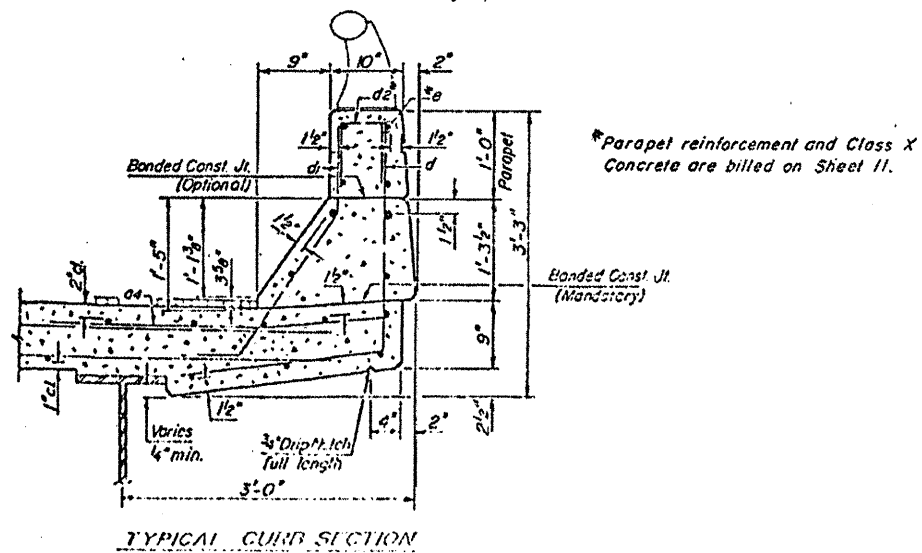
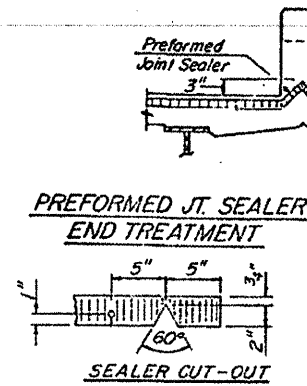
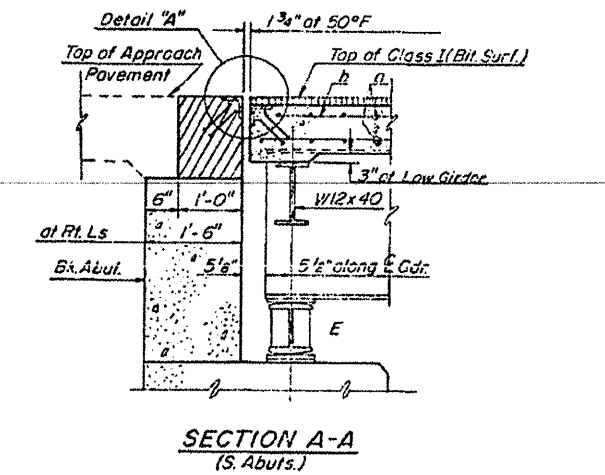
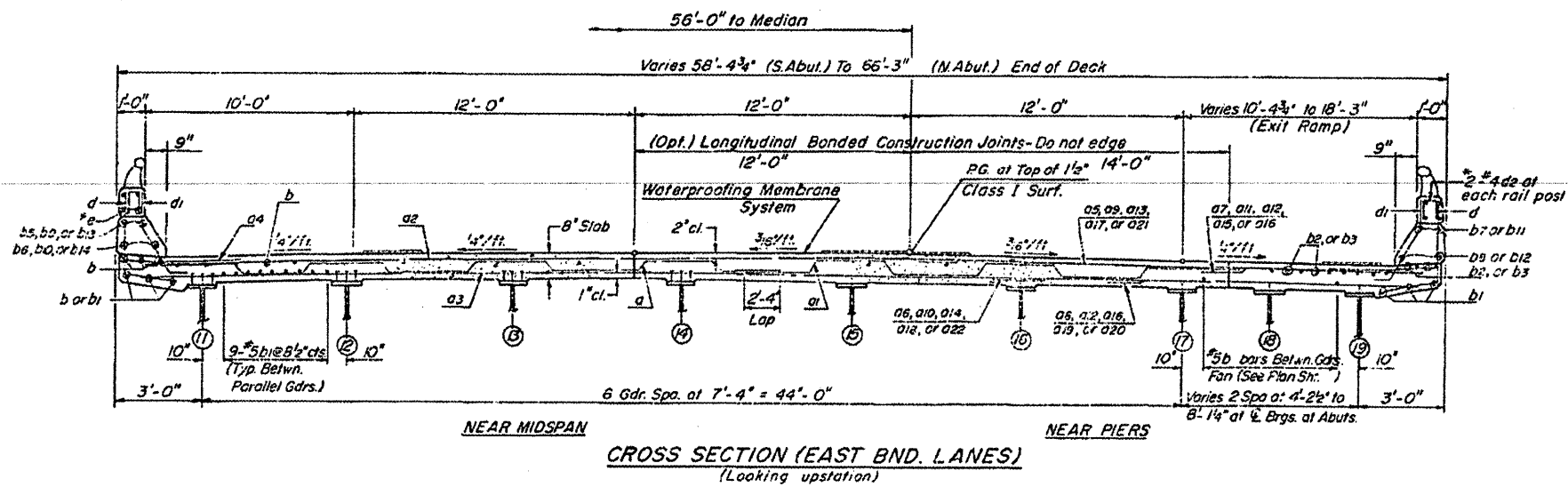
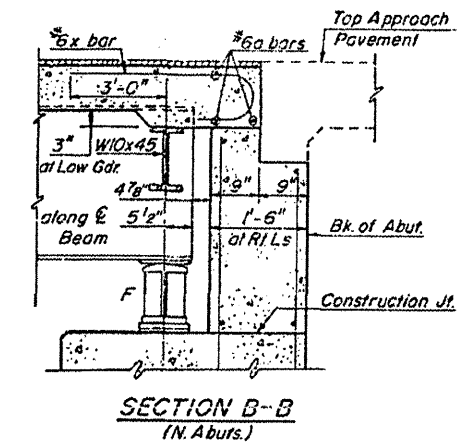
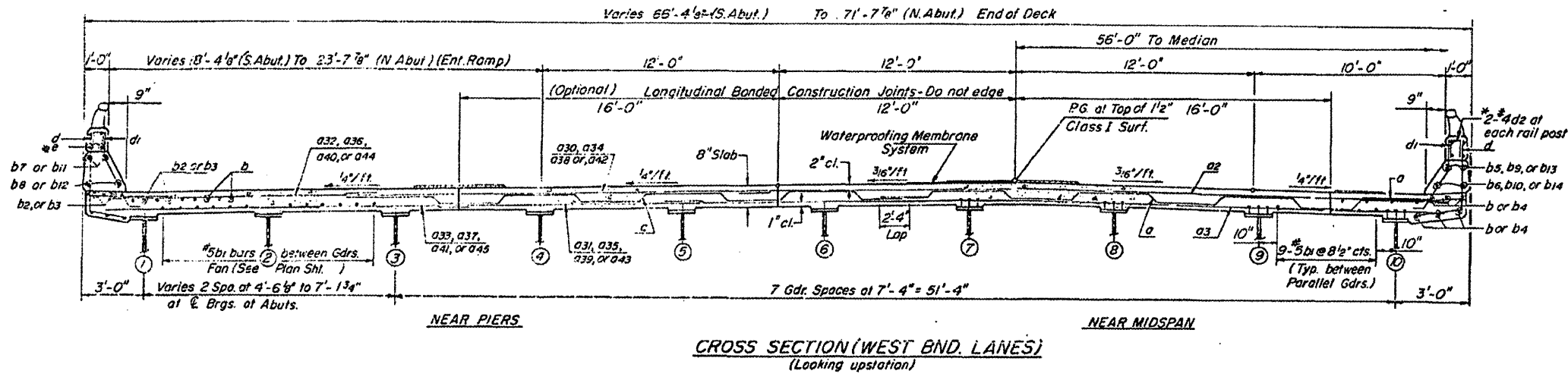


STATE OF ILLINOIS  
DEPARTMENT OF TRANSPORTATION

ROUTE NO.	SECTION	COUNTY	TOTAL SHEETS	SHEET NO.
F.A.I-72	58-63HVB	MACON	49	49
FED. ROAD DIST. NO. 7	ILLINOIS	FED. AID PROJECT		

SHEET NO. 10  
26 SHEETS



**SUPERSTRUCTURE DETAILS**  
F.A.I-72 over ILL. RTE. 121  
& ILL. CENT. GULF R.R.  
MACON COUNTY  
SEC. 58-63HVB  
STA 724+45.63

DESIGNED	D.V.A.
CHECKED	S.E.P.
DRAWN	R.H.H.
CHECKED	S.E.P.