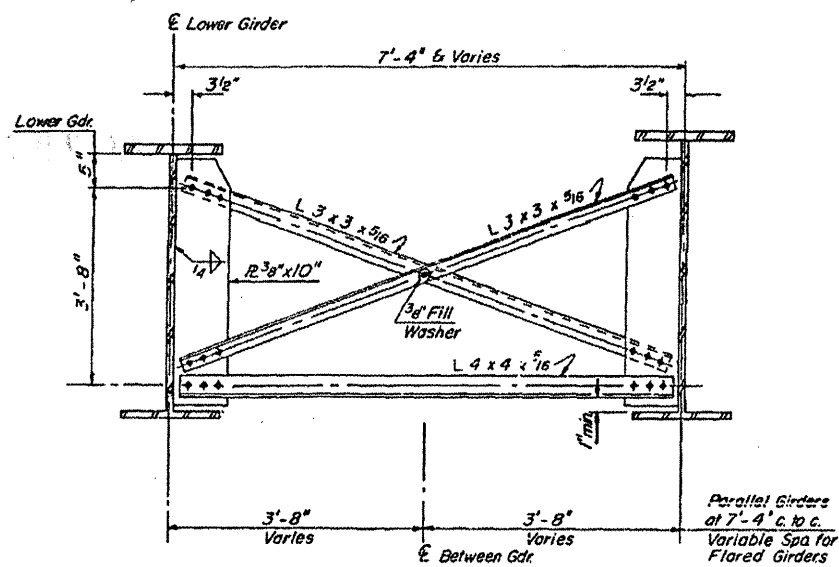


STATE OF ILLINOIS
DEPARTMENT OF TRANSPORTATION

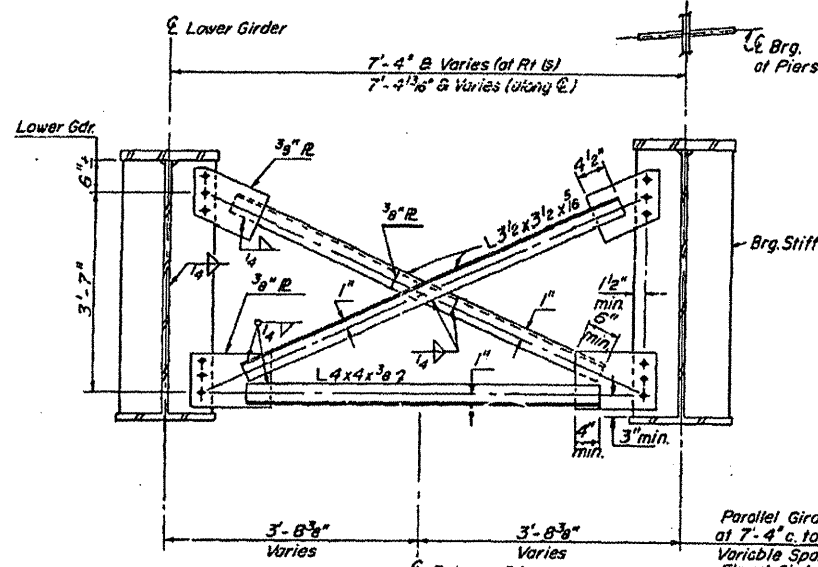
ROUTE NO.	SECTION	COUNTY	TOTAL SHEETS	SHEET NO.	SHEET NO. 15
FAI-72	58-63HVB	MACON	27	54	26 SHEETS
FED. ROAD DIST. NO. 7		ILLINOIS	FED. AID PROJECT		



CROSS FRAME F

No. Required = 52 ea. for 7'-4" Gdr. Spa
16 ea. for Flared Gdrs.

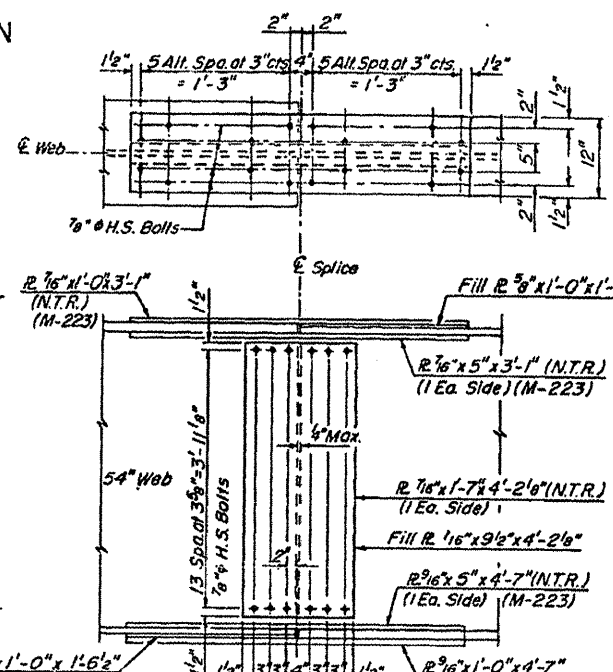
Bolts 3/4" φ
Open Holes 1 1/16" φ
1 1/16" φ holes in gusset R.s for 3/4" φ bolts
Hardened washers shall be required over holes in angles.



CROSS FRAME F (Piers) 1 @ 2

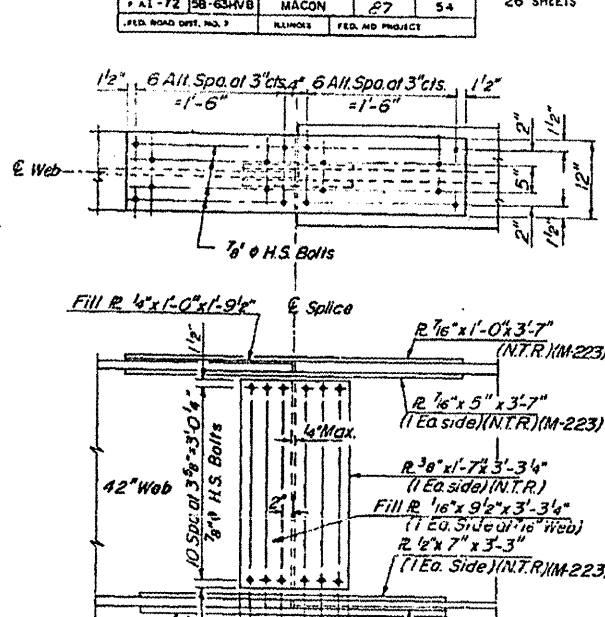
No. Required = 26 ea. for 7'-4" Gdr. Spa
8 ea. for Flared Gdrs.

Bolts 3/4" φ
Open Holes 1 1/16" φ
1 1/16" φ holes in gusset R.s for 3/4" φ bolts
Hardened washers shall be required over holes in gusset R.s.

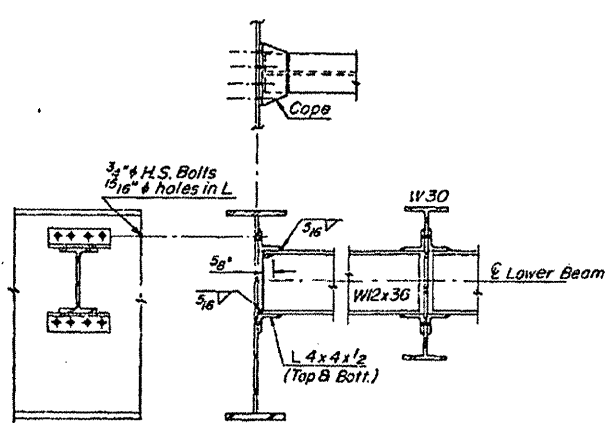


FIELD SPLICE NO. 2

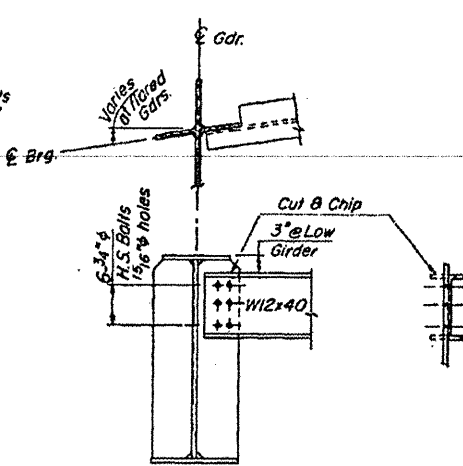
Note: All bolts to be 7/8" H.S. Bolts



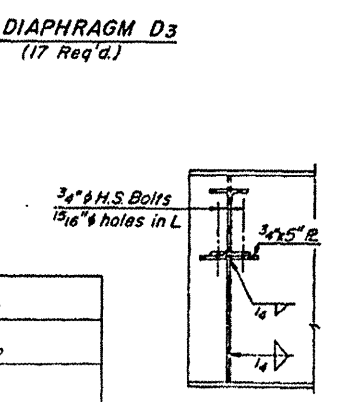
FIELD SPLICE NO. 1



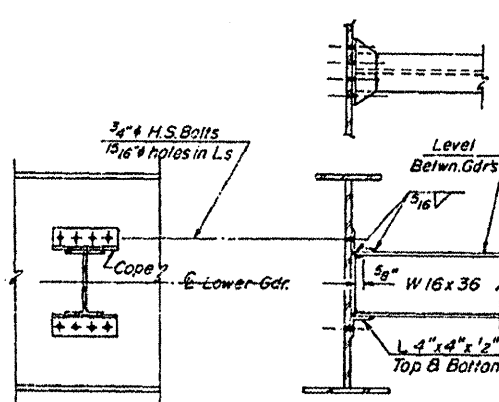
DIAPHRAGM D3 (17 Req'd.)



DIAPHRAGM D (17 Req'd.)

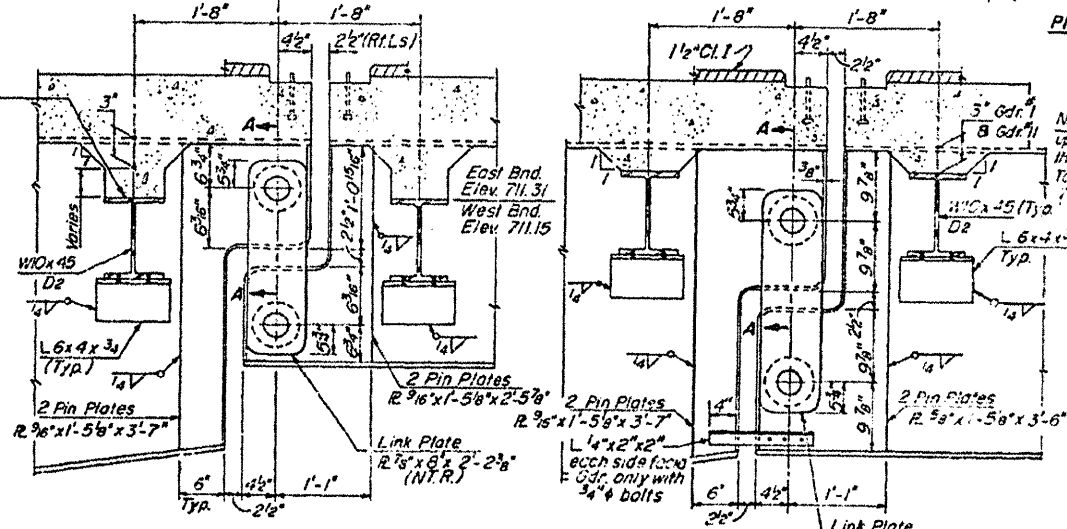


DIAPHRAGM D2 (N. Abuts. & Link Loc.) (51 Req'd.)



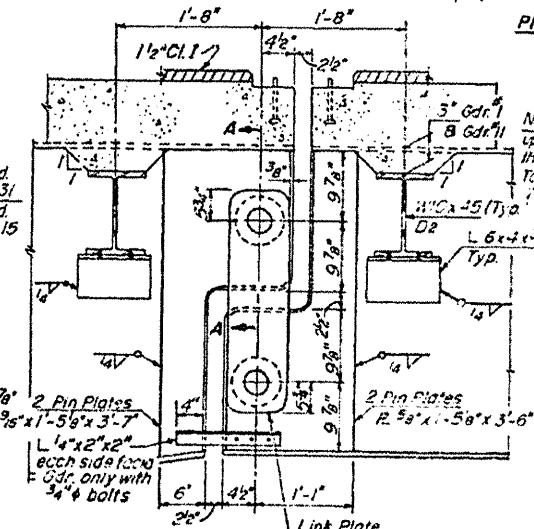
DIAPHRAGM D1 (51 Req'd.)

DESIGNED	D.V.K.
CHECKED	G.E.P.
DRAWN	J.T.
CHECKED	G.E.P. 3/75

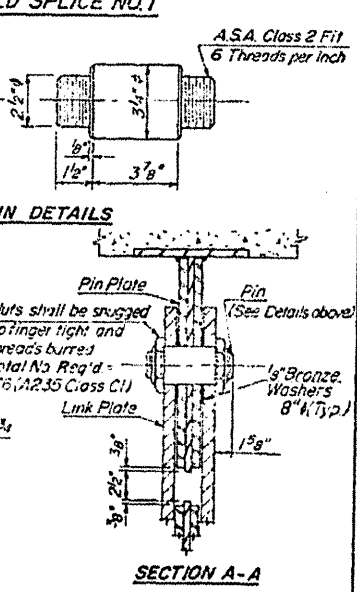


INTERIOR GIRDS

LINK CONNECTION



EXTERIOR GIRDS



SECTION A-A

STRUCTURAL STEEL
FAI 72 OVER ILL. RTE. 121
& ILL. CENT. GULF RR.
MACON COUNTY
SEC. 58-63HVB
STA. 724+45.63