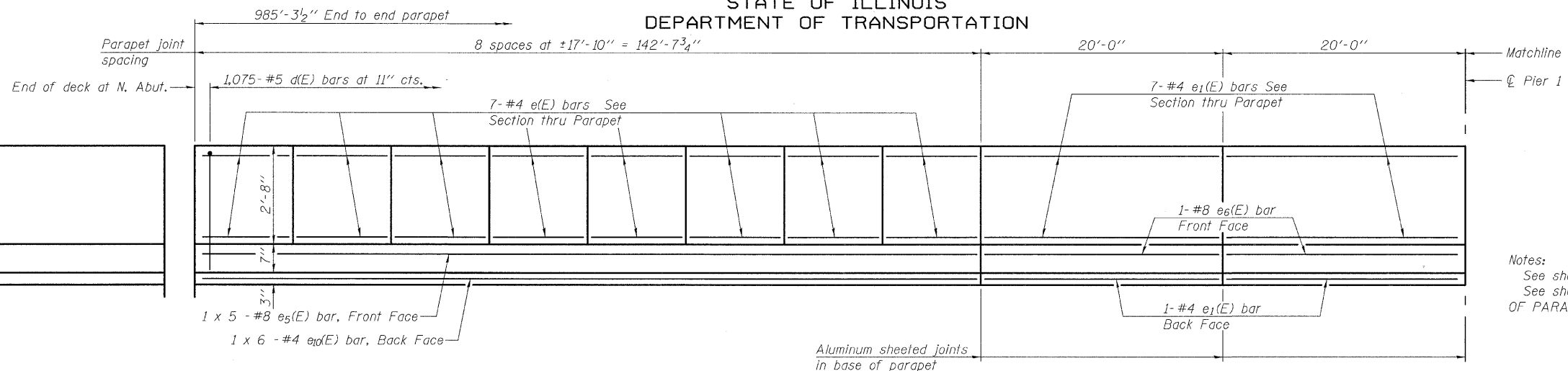


STATE OF ILLINOIS  
DEPARTMENT OF TRANSPORTATION

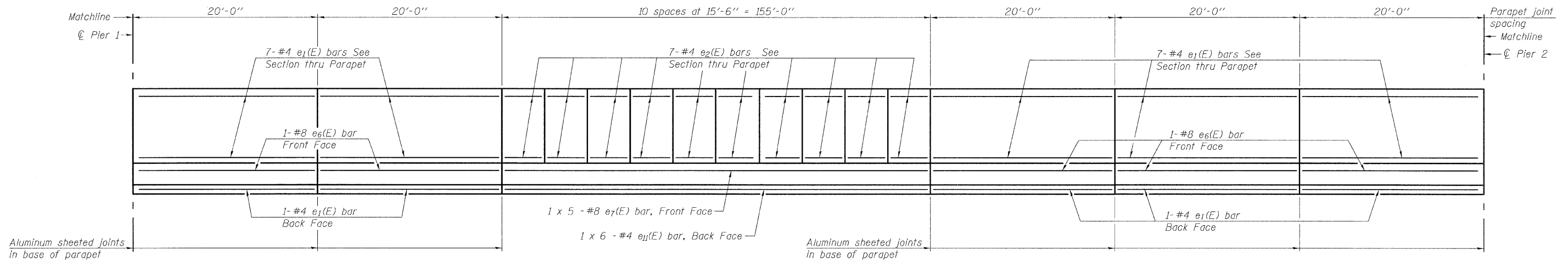


INSIDE ELEVATION OF PARAPET - SPAN 1

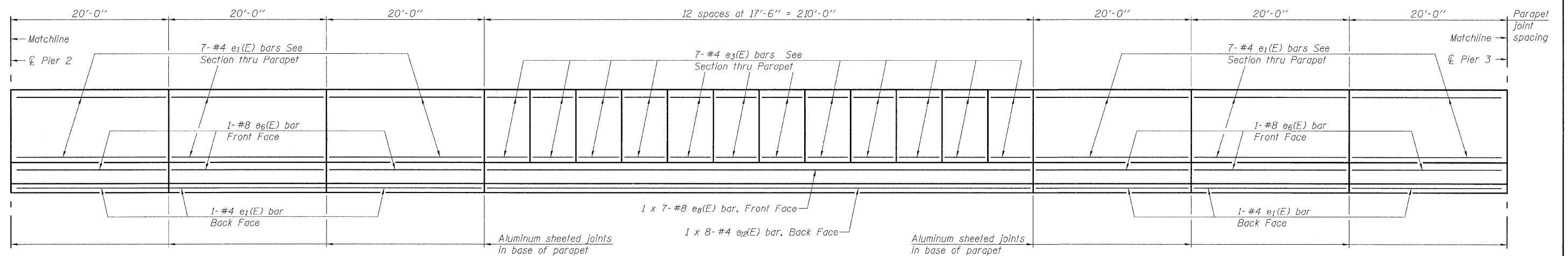
**MINIMUM BAR LAP**

(Parapet)  
#4 bar = 2'-0"  
#8 bar = 5'-2"

Notes:  
See sheet 18 of 48 for parapet joint details.  
See sheet 18 of 48 for "INSIDE ELEVATION OF PARAPET - SPAN 4".



INSIDE ELEVATION OF PARAPET - SPAN 2



INSIDE ELEVATION OF PARAPET - SPAN 3

**SUPERSTRUCTURE DETAILS**  
**STRUCTURE NO. 082-0038**

DESIGNED	JJD
CHECKED	EML
DRAWN	AJF
CHECKED	JJD



SHEET NO. 17 48 SHEETS	F.A.P. RTE. 312	SECTION 64-1VBR	COUNTY ST. CLAIR	TOTAL SHEETS 259	SHEET NO. 69
	CONTRACT NO. 76882				
ILLINOIS FED. AID PROJECT					