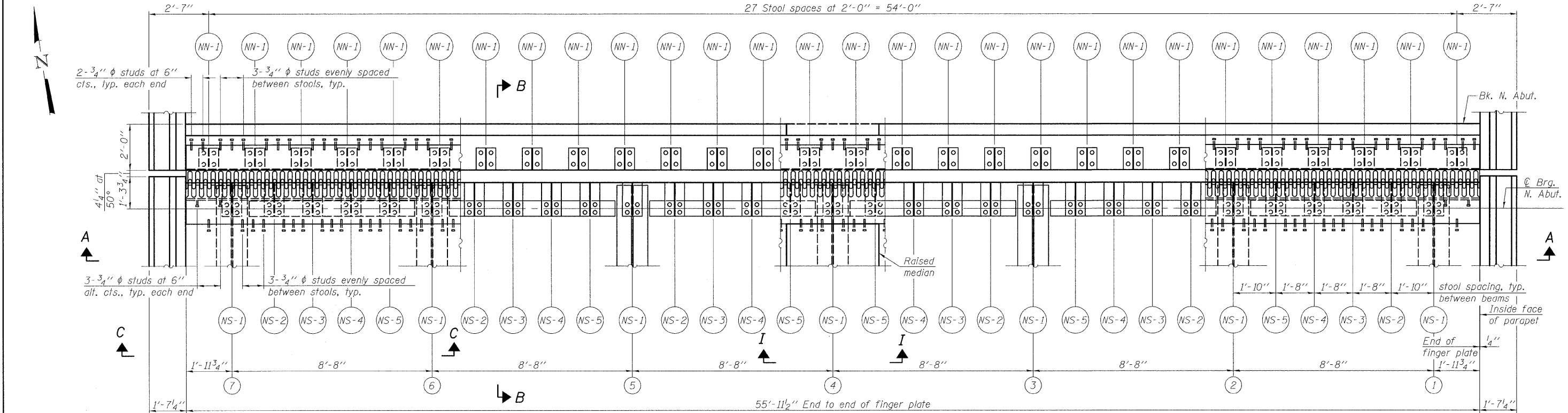
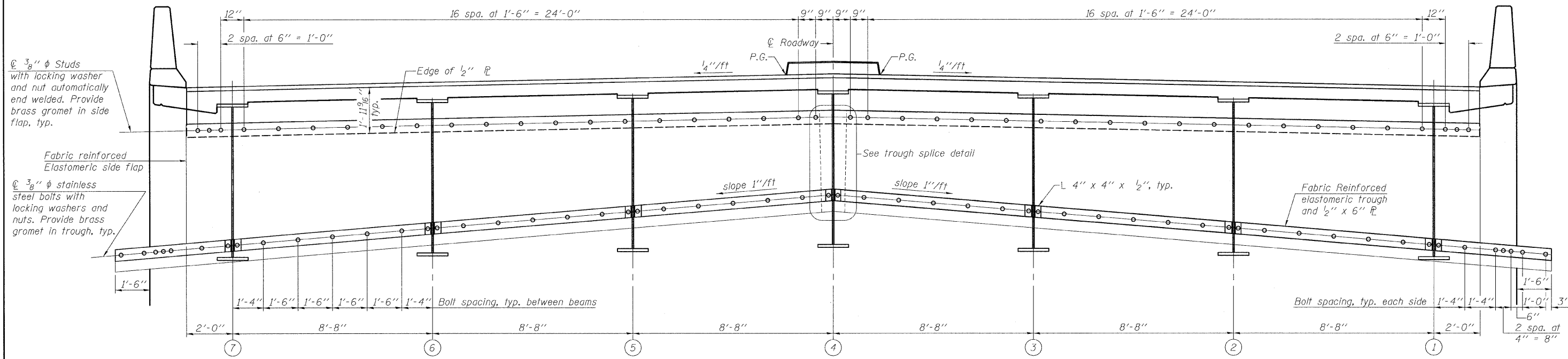


STATE OF ILLINOIS
DEPARTMENT OF TRANSPORTATION

27 Stool spaces at 2'-0" = 54'-0"



PLAN AT NORTH ABUTMENT



SECTION A-A

NORTH ABUTMENT FINGER PLATE
EXPANSION JOINT DETAILS
STRUCTURE NO. 082-0038

DESIGNED	KAK
CHECKED	JJD
DRAWN	KAK/AJF
CHECKED	JJD

Notes:
See sheet 23 of 48 for Section B-B and trough splice detail.
See sheet 24 of 48 for Section C-C and Section I-I.

HORNER & SHIFRIN, INC.
ENGINEERS

SHEET NO. 21 48 SHEETS	F.A.P. RTE. 312	SECTION 64-1VBR	COUNTY ST. CLAIR	TOTAL SHEETS 259	SHEET NO. 73
	CONTRACT NO. 76882				
ILLINOIS FED. AID PROJECT					