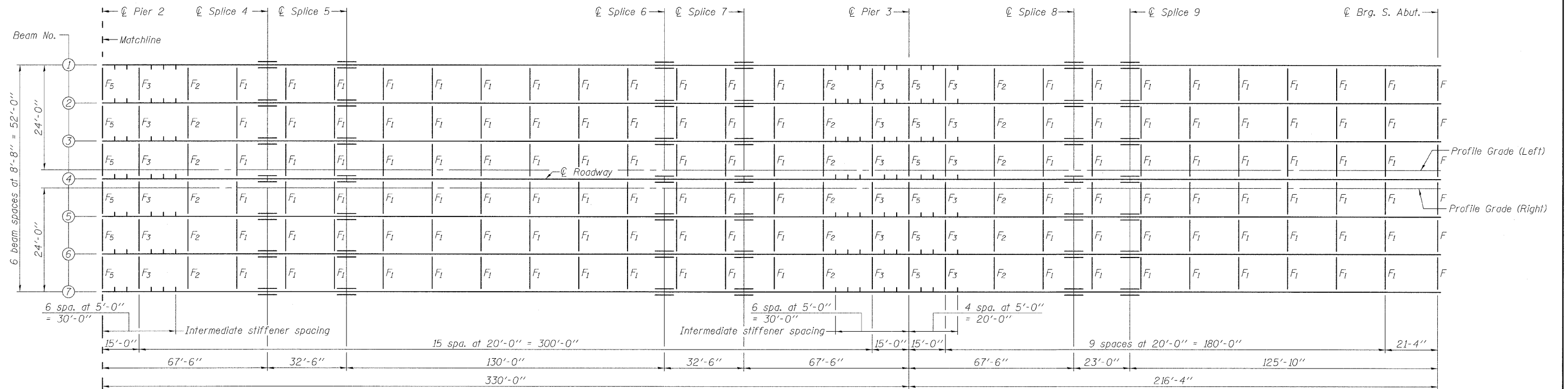
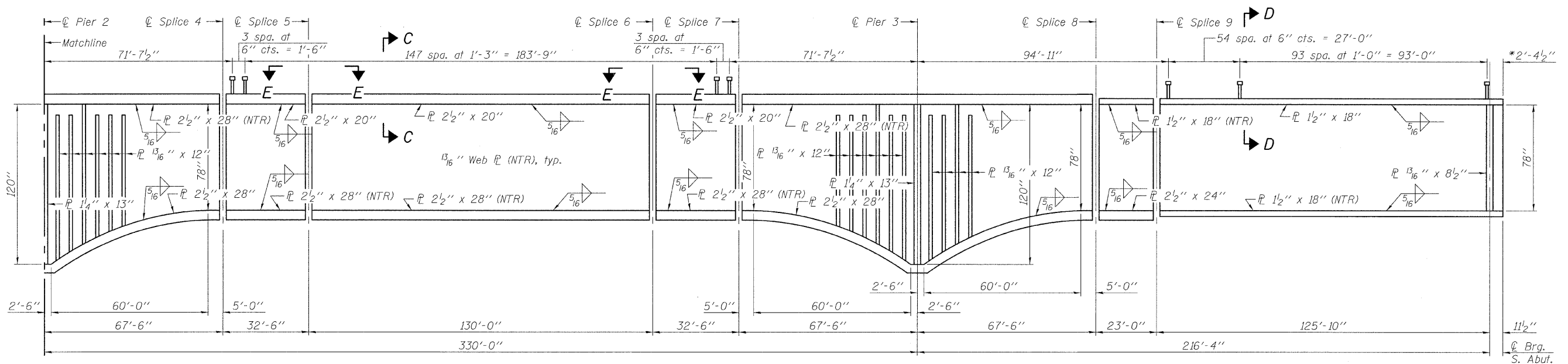


STATE OF ILLINOIS
DEPARTMENT OF TRANSPORTATION



PARTIAL FRAMING PLAN



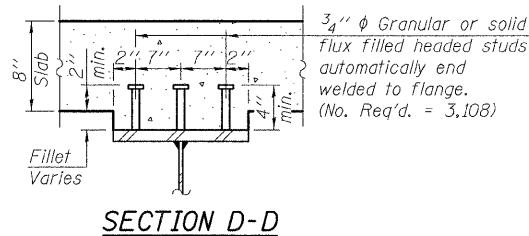
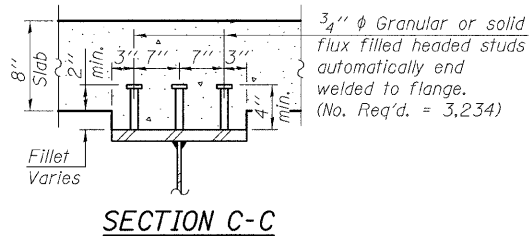
PARTIAL GIRDER ELEVATION

"NTR" denotes plates to which notch toughness requirements are applicable.

Notes:
See sheet 29 of 48 for spans 1 and 2.
See sheet 31 of 48 for View E-E.

*Based on plumbed end of girder.

DESIGNED EML
CHECKED KAK
DRAWN AJF/EML
CHECKED JJD



STRUCTURAL STEEL
SPANS 3 AND 4
STRUCTURE NO. 082-0038

SHEET NO. 30 48 SHEETS	F.A.P. RTE. 312	SECTION 64-1VBR	COUNTY ST. CLAIR	TOTAL SHEETS 259	SHEET NO. 82
	CONTRACT NO. 76882				
ILLINOIS FED. AID PROJECT					

HORNER & SHIFRIN, INC.
ENGINEERS