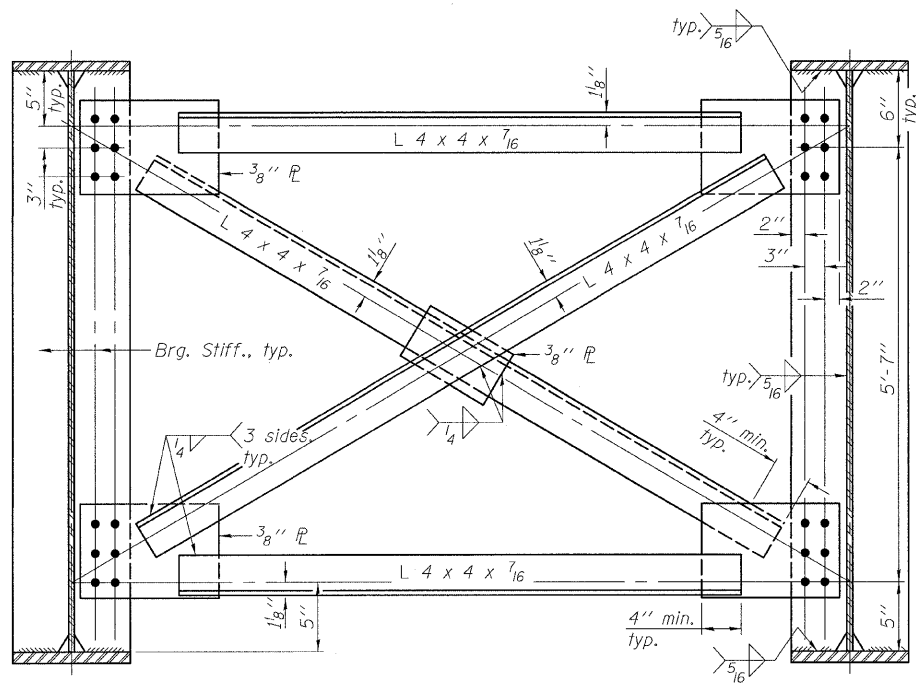
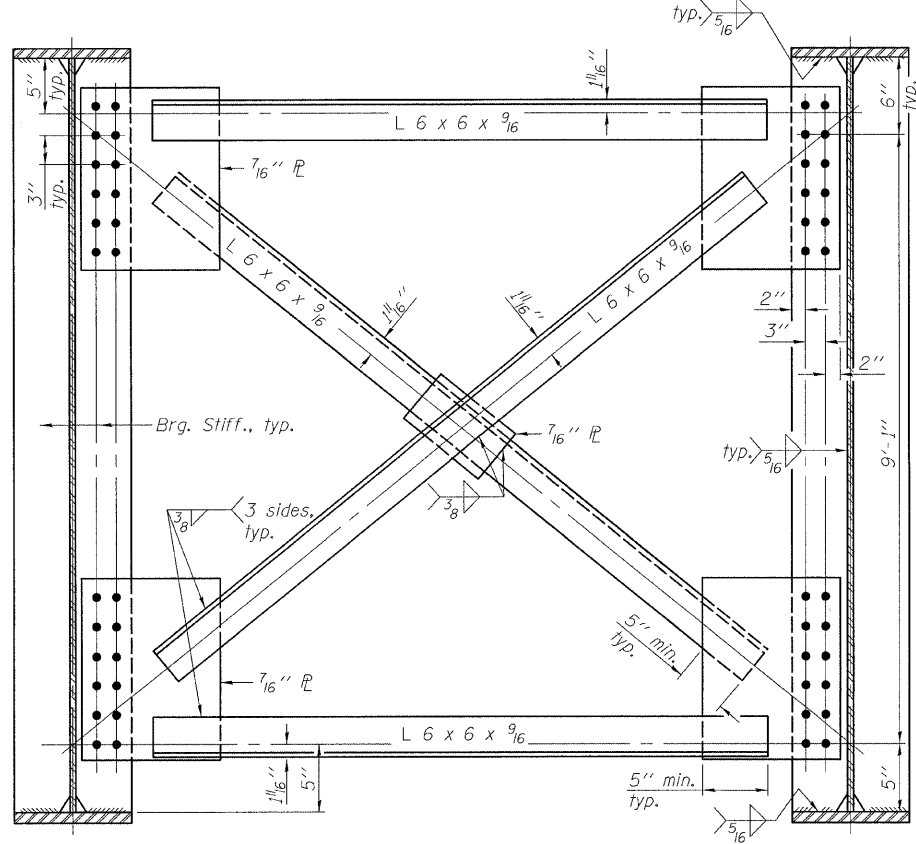


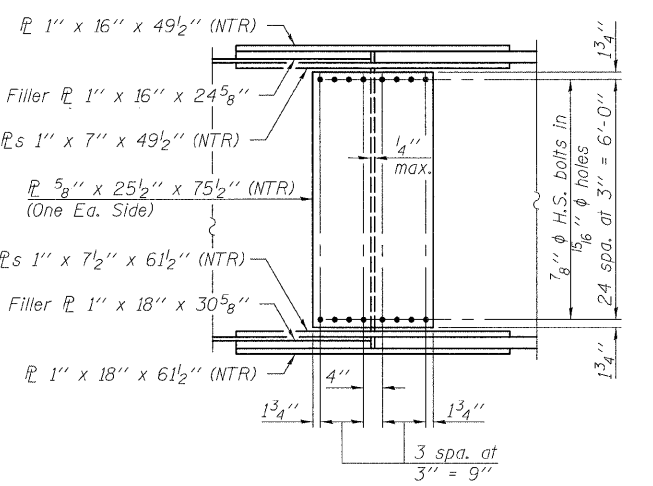
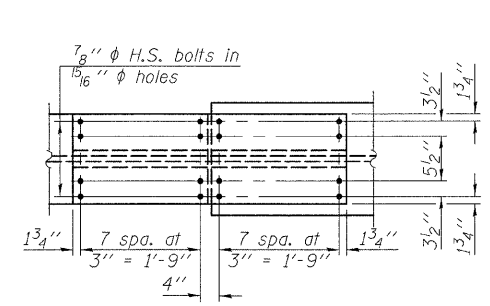
STATE OF ILLINOIS
DEPARTMENT OF TRANSPORTATION



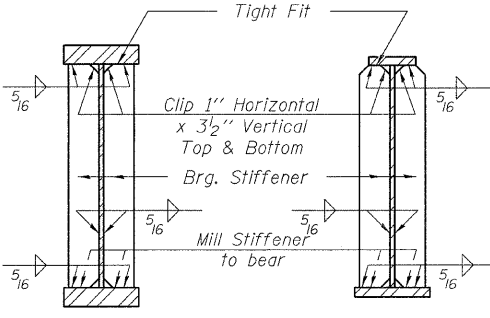
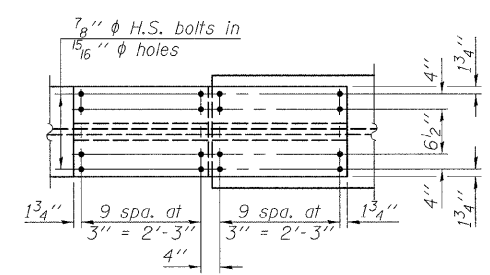
CROSS FRAME F4
(6 required)



CROSS FRAME F5
(12 required)

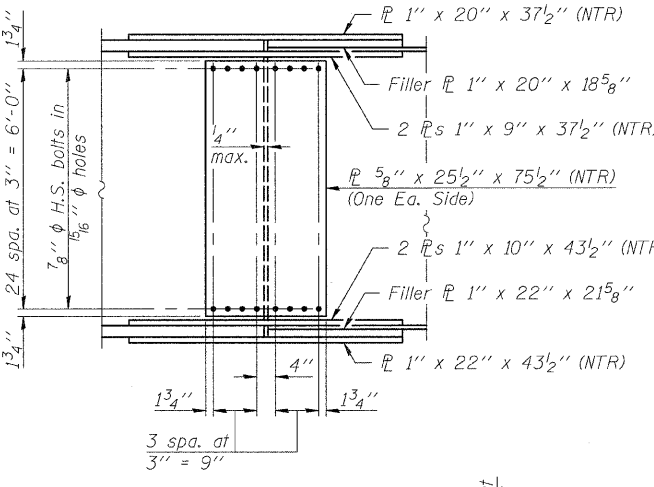
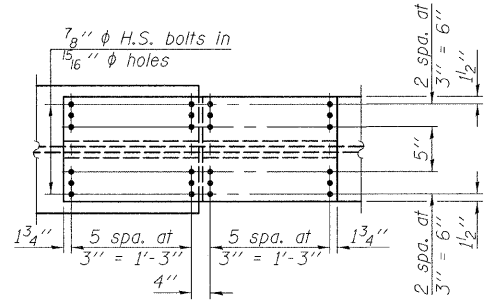


FIELD SPLICE 1 DETAIL
(7 Required)

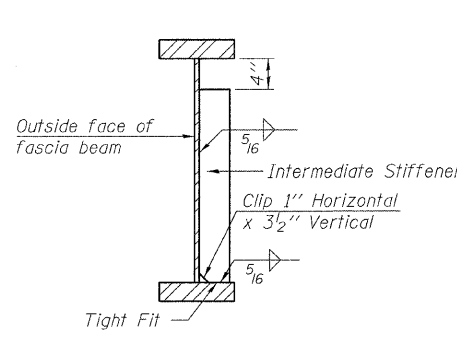
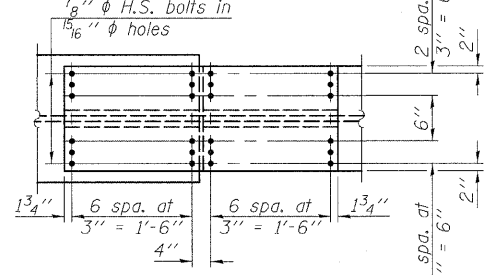


SECTION AT PIER

SECTION AT ABUTMENT

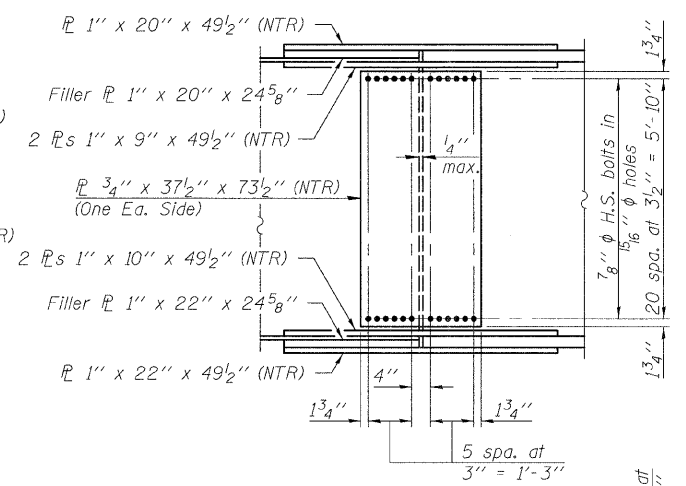
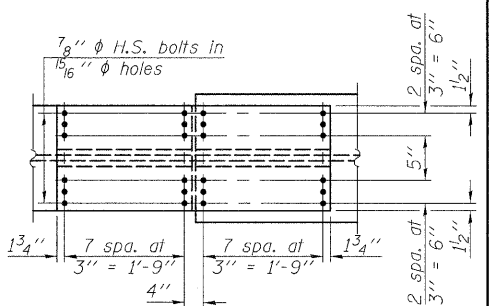


FIELD SPLICE 2 DETAIL
(7 Required)

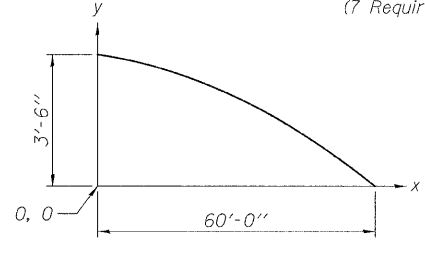


SECTION AT INT. STIFFENER

(Fascia beam shown, interior beams similar)



FIELD SPLICE 3 DETAIL
(7 Required)



PARABOLIC HAUNCH DETAIL

Haunch equation: $y = -\frac{3.5}{3,600}x^2 + 3.5$, where x and y are in feet.

STRUCTURAL STEEL DETAILS
STRUCTURE NO. 082-0038

DESIGNED	EML/KAK
CHECKED	JJD
DRAWN	EML/KAK
CHECKED	JJD



SHEET NO. 32 48 SHEETS	F.A.P. RTE. 312	SECTION 64-1VBR	COUNTY ST. CLAIR	TOTAL SHEETS 259	SHEET NO. 84
	CONTRACT NO. 76882				
ILLINOIS FED. AID PROJECT					